



## U74AUC1G86

CMOS IC

### SINGLE 2-INPUT EXCLUSIVE-OR GATE

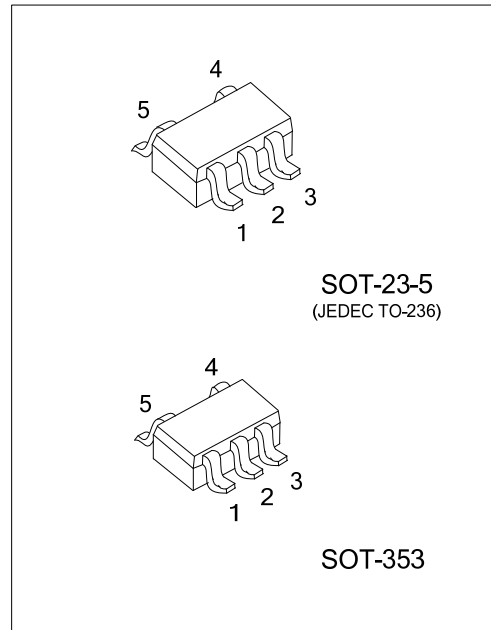
#### DESCRIPTION

The **U74AUC1G86** is a single 2-input exclusive-OR gate which provides the Function  $Y = A \oplus B$  or  $Y = \overline{A}B + A\overline{B}$  in positive logic.

This device has power-down protective circuit, preventing device destruction when it is powered down.

#### FEATURES

- \* Operate from 0.8V to 2.7V
- \* Low power dissipation :  $I_{CC}=10\mu A$  (Max.)
- \*  $\pm 8mA$  Output Driver :  $V_{CC}=1.8V$
- \*  $I_{off}$  Supports partial-Power-Down Mode Operation

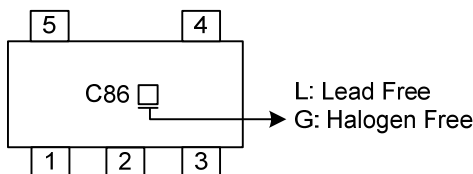


#### ORDERING INFORMATION

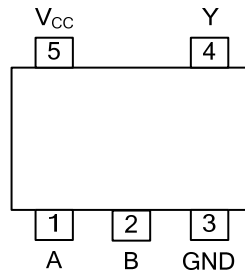
Ordering Number		Package	Packing
Lead Free	Halogen Free		
U74AUC1G86L-AE5-R	U74AUC1G86G-AE5-R	SOT-23-5	Tape Reel
U74AUC1G86L-AL5-R	U74AUC1G86G-AL5-R	SOT-353	Tape Reel

<p>U74AUC1G86G-AE5-R</p> <p>(1)Packing Type (2)Package Type (3)Green Package</p>	<p>(1) R: Tape Reel (2) AE5: SOT-23-5, AL5: SOT-353 (3) G: Halogen Free and Lead Free, L: Lead Free</p>
--	---

#### MARKING



■ PIN CONFIGURATION

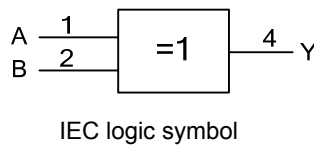
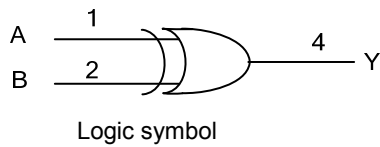


■ FUNCTION TABLE

INPUT(A)	INPUT(B)	OUTPUT(Y)
L	L	L
H	L	H
L	H	H
H	H	L

Note: H: HIGH voltage level; L: LOW voltage level

■ LOGIC DIAGRAM (positive logic)



FLYING 汎翔國際有限公司  
[www.flying1688.com](http://www.flying1688.com)

### ■ ABSOLUTE MAXIMUM RATING

PARAMETER	SYMBOL	TEST CONDITIONS	RATINGS	UNIT
Supply Voltage	$V_{CC}$		-0.5 ~ +3.6	V
Input Voltage	$V_{IN}$		-0.5 ~ +3.6	V
Output Voltage	$V_{OUT}$	Output in the high or low state	-0.5 ~ $V_{CC}$ +0.5	V
		Output in the power-off state	-0.5 ~ +3.6	V
$V_{CC}$ or GND Current	$I_{CC}$		±100	mA
Continuous Output Current	$I_{OUT}$	$V_{OUT}=0 \sim V_{CC}$	±20	mA
Input Clamp Current	$I_{IK}$	$V_{IN}<0$	-50	mA
Output Clamp Current	$I_{OK}$	$V_O>V_{CC}$ or $V_{OUT}<0$	-50	mA
Storage Temperature Range	$T_{STG}$		-65 ~ +150	°C

Note: Absolute maximum ratings are those values beyond which the device could be permanently damaged. Absolute maximum ratings are stress ratings only and functional device operation is not implied.

### ■ RECOMMENDED OPERATING CONDITIONS

PARAMETER	SYMBOL	TEST CONDITIONS	MIN	TYP	MAX	UNIT
Supply Voltage	$V_{CC}$	Operating	0.8		2.7	V
Input Voltage	$V_{IN}$		0		3.6	V
Output Voltage	$V_{OUT}$	High or low state	0		$V_{CC}$	V
Operating Temperature	$T_A$		-40		85	°C
Input Transition Rise or Fall Rate	$\Delta t/\Delta v$	$V_{CC}=0.8V \sim 1.95V$			20	ns/V
		$V_{CC}=2.3V \sim 2.7V$			10	ns/V

### ■ ELECTRICAL CHARACTERISTICS ( $T_A=25^\circ\text{C}$ , unless otherwise specified)

PARAMETER	SYMBOL	TEST CONDITIONS	MIN	TYP	MAX	UNIT
High-level Input Voltage	$V_{IH}$	$V_{CC}=0.8V$	$V_{CC}$			
		$V_{CC}=1.1V \sim 1.95V$	$0.65 \times V_{CC}$			
		$V_{CC}=2.3V \sim 2.7V$	1.7			
Low-level Input Voltage	$V_{IL}$	$V_{CC}=0.8V$			0	
		$V_{CC}=1.1V \sim 1.95V$			$0.35 \times V_{CC}$	
		$V_{CC}=2.3V \sim 2.7V$			0.7	
High-Level Output Voltage	$V_{OH}$	$V_{CC}=0.8 \sim 2.7V, I_{OH}=-100\mu A$	$V_{CC}-0.1$			V
		$V_{CC}=0.8V, I_{OH}=-700\mu A$		0.55		V
		$V_{CC}=1.1V, I_{OH}=-3mA$	0.8			V
		$V_{CC}=1.4V, I_{OH}=-5mA$	1			V
		$V_{CC}=1.65V, I_{OH}=-8mA$	1.2			V
Low-Level Output Voltage	$V_{OL}$	$V_{CC}=2.3V, I_{OL}=-9mA$	1.8			V
		$V_{CC}=0.8 \sim 2.7V, I_{OL}=100\mu A$			0.2	V
		$V_{CC}=0.8V, I_{OL}=700\mu A$		0.25		V
		$V_{CC}=1.1V, I_{OL}=3mA$			0.3	V
		$V_{CC}=1.4V, I_{OL}=5mA$			0.4	V
Input Leakage Current	$I_{I(LEAK)}$	$V_{CC}=0 \sim 2.7V, V_{IN}=V_{CC}$ or GND		±0.1	±5	μA
		$V_{CC}=0V, V_{IN}$ or $V_{OUT}=2.7V$		±0.1	±10	μA
Quiescent Supply Current	$I_{CC}$	$V_{CC}=0.8 \sim 2.7V, V_{IN}=V_{CC}$ or GND $I_{OUT}=0$		0.1	10	μA
Input Capacitance	$C_I$	$V_{CC}=2.5V, V_{IN}=V_{CC}$ or GND		2.5		pF

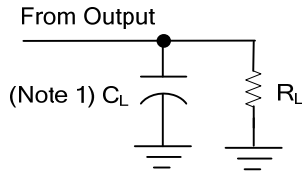
■ SWITCHING CHARACTERISTICS (T<sub>A</sub> =25°C , unless otherwise specified)

PARAMETER	SYMBOL	TEST CONDITIONS	MIN	TYP	MAX	UNIT	
Propagation delay from input to output	t <sub>PLH</sub> / t <sub>PHL</sub>	C <sub>L</sub> =15pF, R <sub>L</sub> =2kΩ	V <sub>CC</sub> =0.8V		5.5		ns
			V <sub>CC</sub> =1.2±0.1V	0.8			ns
			V <sub>CC</sub> =1.5±0.1V	0.5			ns
			V <sub>CC</sub> =1.8±0.15V	0.4	1		ns
			V <sub>CC</sub> =2.5±0.2V	0.3			ns
		C <sub>L</sub> =30pF, R <sub>L</sub> =1KΩ	V <sub>CC</sub> =1.8±0.15V	0.8	1.5		ns
C <sub>L</sub> =30pF, R <sub>L</sub> =500Ω	V <sub>CC</sub> =2.5±0.2V	0.7			ns		

■ OPERATING CHARACTERISTICS (f=10MHz, T<sub>A</sub> =25°C , unless otherwise specified)

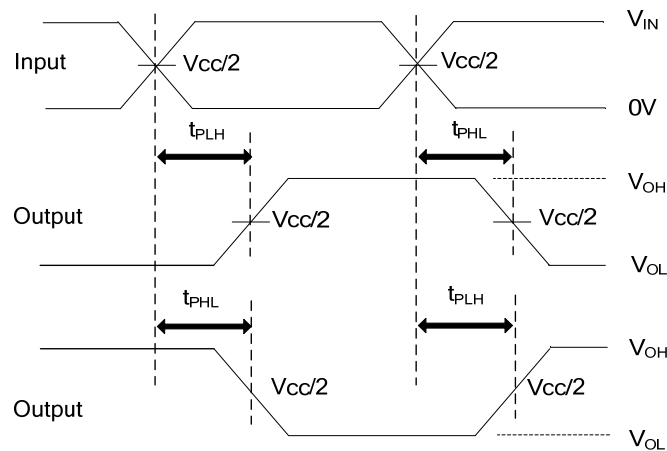
PARAMETER	SYMBOL	TEST CONDITIONS	MIN	TYP	MAX	UNIT
Power Dissipation Capacitance	C <sub>PD</sub>	V <sub>CC</sub> =0.8V		16		pF
		V <sub>CC</sub> =1.2V		16		pF
		V <sub>CC</sub> =1.5V		16.5		pF
		V <sub>CC</sub> =1.8V		17		pF
		V <sub>CC</sub> =2.5V		18.5		pF

■ TEST CIRCUIT AND WAVEFORMS



TEST CIRCUIT

$V_{CC}$	$C_L$	$R_L$	$V_M$
0.8V	15pF	2k $\Omega$	$V_{CC}/2$
1.2V $\pm$ 0.1V	15pF	2k $\Omega$	$V_{CC}/2$
1.5V $\pm$ 0.1V	15pF	2k $\Omega$	$V_{CC}/2$
1.8V $\pm$ 0.15V	15pF	2k $\Omega$	$V_{CC}/2$
2.5V $\pm$ 0.2V	15pF	2k $\Omega$	$V_{CC}/2$
1.8V $\pm$ 0.15V	30pF	1k $\Omega$	$V_{CC}/2$
2.5V $\pm$ 0.2V	30pF	500 $\Omega$	$V_{CC}/2$



PROPAGATION DELAY TIMES

Notes: 1.  $C_L$  includes probe and jig capacitance.

2. All input pulses are supplied by generators having the following characteristics: PRR  $\leq$ 10MHz,  $Z_o = 50\Omega$ .

UTC assumes no responsibility for equipment failures that result from using products at values that exceed, even momentarily, rated values (such as maximum ratings, operating condition ranges, or other parameters) listed in products specifications of any and all UTC products described or contained herein. UTC products are not designed for use in life support appliances, devices or systems where malfunction of these products can be reasonably expected to result in personal injury. Reproduction in whole or in part is prohibited without the prior written consent of the copyright owner. UTC reserves the right to make changes to information published in this document, including without limitation specifications and product descriptions, at any time and without notice. This document supersedes and replaces all information supplied prior to the publication hereof.