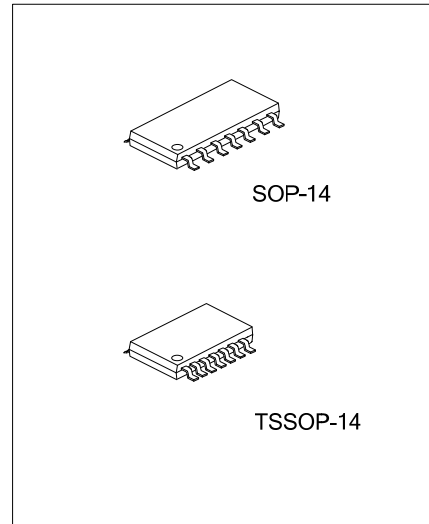




U74LVC126A

CMOS IC

QUADRUPLE BUS BUFFER GATES WITH 3-STATE OUTPUTS



DESCRIPTION

The **U74LVC126A** are quadruple bus buffer gates featuring independent line drivers with 3-state outputs. When OE is low, the nY outputs are in a high-impedance state. When OE is high, the device passes non-inverted data from the nA input to its nY output.

To ensure the high-impedance state during power up or power down, OE should be tied to GND through a pull-down resistor; the minimum value of the resistor is determined by the current-sinking capability of the driver.

Inputs can be driven from either 3.3V to 5V devices. This feature allows the use of these devices as translators in a mixed 3.3V/5V system environment.

FEATURES

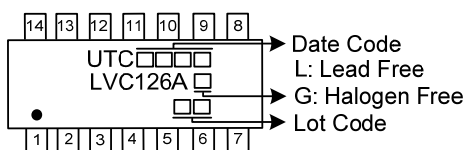
- * 1.65V to 3.6V V_{CC} Operation
- * Max t_{PD} of 4.7ns from A to Y at V_{CC} = 3.3V, C_L = 50pF, R_L = 500Ω
- * ±24mA output driver at 3V

ORDERING INFORMATION

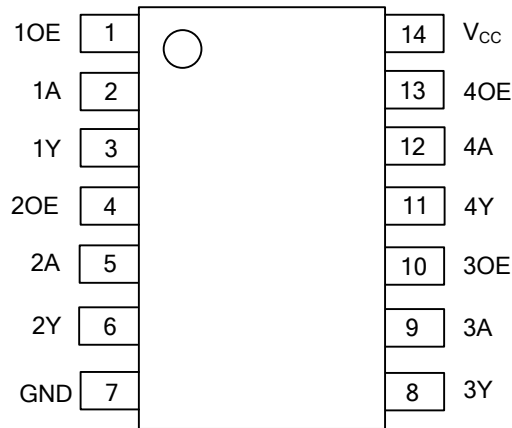
Ordering Number		Package	Packing
Lead Free	Halogen Free		
U74LVC126AL-S14-R	U74LVC126AG-S14-R	SOP-14	Tape Reel
U74LVC126AL-P14-R	U74LVC126AG-P14-R	TSSOP-14	Tape Reel

<p>U74LVC126AG-S14-R</p> <p>(1) Packing Type (2) Package Type (3) Green Package</p>	<p>(1) R: Tape Reel (2) S14: SOP-14, P14: TSSOP-14 (3) G: Halogen Free and Lead Free, L: Lead Free</p>
---	--

MARKING



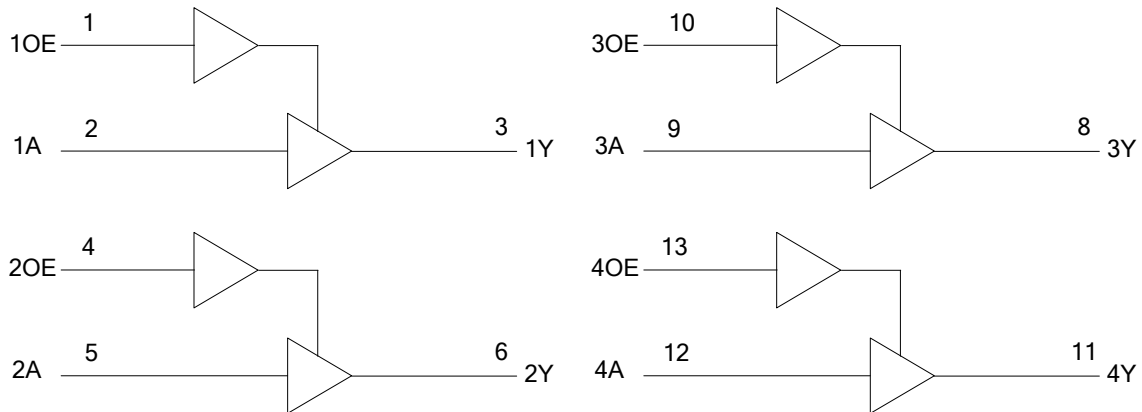
■ PIN CONFIGURATION



■ FUNCTION TABLE

INPUT		OUTPUT
OE	A	Y
H	H	H
H	L	L
L	X	Z

■ LOGIC DIAGRAM (positive logic)



FLYING 汎翔國際有限公司
www.flying1688.com

■ ABSOLUTE MAXIMUM RATING (unless otherwise specified)

PARAMETER	SYMBOL	RATINGS	UNIT
Supply Voltage	V_{CC}	-0.5~6.5	V
Input Voltage	V_{IN}	-0.5~6.5	V
Output Voltage	V_{OUT}	-0.5~ V_{CC} +0.5	V
Input Clamp Current ($V_{IN}<0$)	I_{IK}	-50	mA
Output Clamp Current ($V_{OUT}<0$, or $V_{OUT}>V_{CC}$)	I_{OK}	-50	mA
Output Current	I_{OUT}	±50	mA
V_{CC} or GND Current	I_{CC}	±100	mA
Power Dissipation	P_D	500	mW
Storage Temperature	T_{STG}	-65 ~ +150	°C

Notes: 1. Absolute maximum ratings are those values beyond which the device could be permanently damaged.

Absolute maximum ratings are stress ratings only and functional device operation is not implied.

2. The input and output voltage ratings may be exceeded if the input and output current ratings are observed.

■ THERMAL DATA

PARAMETER	SYMBOL	RATINGS	UNIT
Junctions to Ambient	SOP-14	86	°C/W
	TSSOP-14	113	

■ RECOMMENDED OPERATING CONDITIONS

PARAMETER	SYMBOL	CONDITIONS	MIN	TYP	MAX	UNIT
Supply Voltage	V_{CC}	Operating	1.65		3.6	V
		Data retention only	1.5			
High-Level Input Voltage	V_{IH}	$V_{CC}=1.65V$ to $1.95V$	$V_{CC} \times 0.65$			V
		$V_{CC}=2.3V$ to $2.7V$	1.7			
		$V_{CC}=2.7V$ to $3.6V$	2			
Low-Level Input Voltage	V_{IL}	$V_{CC}=1.65V$ to $1.95V$			$V_{CC} \times 0.35$	V
		$V_{CC}=2.3V$ to $2.7V$			0.7	
		$V_{CC}=2.7V$ to $3.6V$			0.8	
Input Voltage	V_{IN}		0		5.5	V
Output Voltage	V_{OUT}		0		V_{CC}	V
High-Level Output Current	I_{OH}	$V_{CC}=1.65V$			-4	mA
		$V_{CC}=2.3V$			-8	
		$V_{CC}=2.7V$			-12	
		$V_{CC}=3V$			-24	
Low-Level Output Current	I_{OL}	$V_{CC}=1.65V$			4	mA
		$V_{CC}=2.3V$			8	
		$V_{CC}=2.7V$			12	
		$V_{CC}=3V$			24	
Input Transition Rise or Fall Rate	$\Delta t/\Delta V$		0		10	ns/V
Operating Temperature	T_A		-40		+85	°C

■ ELECTRICAL CHARACTERISTICS (T_A =25°C , unless otherwise specified)

PARAMETER	SYMBOL	TEST CONDITIONS	MIN	TYP	MAX	UNIT
High-Level Output Voltage	V _{OH}	V _{CC} =1.65V to 3.6V, I _{OH} =-100μA	V _{CC} -0.2			V
		V _{CC} =1.65V, I _{OH} =-4mA	1.2			
		V _{CC} =2.3V, I _{OH} =-8mA	1.7			
		V _{CC} =2.7V, I _{OH} =-12mA	2.2			
		V _{CC} =3V, I _{OH} =-12mA	2.4			
		V _{CC} =3V, I _{OH} =-24mA	2.3			
Low-Level Output Voltage	V _{OL}	V _{CC} =1.65V to 3.6V, I _{OL} =100μA			0.1	V
		V _{CC} =1.65V, I _{OL} =4mA			0.45	
		V _{CC} =2.3V, I _{OL} =8mA			0.7	
		V _{CC} =2.7V, I _{OL} =12mA			0.4	
		V _{CC} =3V, I _{OL} =24mA			0.55	
Input Leakage Current (A or OE input)	I _{I(LEAK)}	V _{IN} =5.5V or GND, V _{CC} =3.6V			±1	μA
High-impedance state Current	I _{OZ}	V _{OUT} =V _{CC} or GND, V _{CC} =3.6V			±1	μA
Quiescent Supply Current	I _{CC}	V _{IN} =V _{CC} or GND, I _{OUT} =0, V _{CC} =3.6V			1	μA
Additional quiescent supply current	ΔI _{CC}	One input at V _{CC} - 0.6V, V _{CC} =2.7V to 3.6V, other inputs at V _{CC} or GND			500	μA
Input Capacitance	C _{IN}	V _{IN} =V _{CC} or GND, V _{CC} =3.3V		4.5		pF
Output Capacitance	C _{OUT}	V _{OUT} =V _{CC} or GND, V _{CC} =3.3V		7		pF

■ SWITCHING CHARACTERISTICS (T_A =25°C , unless otherwise specified)

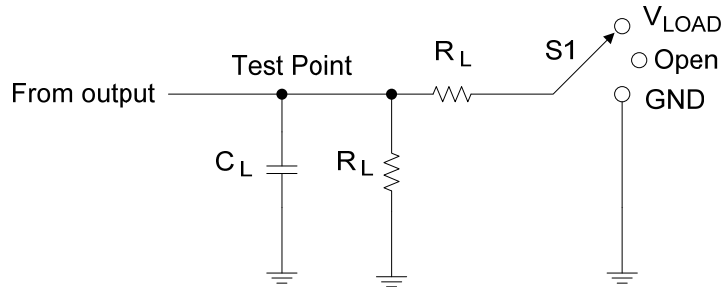
PARAMETER	SYMBOL	TEST CONDITIONS	MIN	TYP	MAX	UNIT
Propagation delay from input A to output Y	t _{PD}	V _{CC} =1.8V		13.2		ns
		V _{CC} =2.5V±0.2V	1		7.2	
		V _{CC} =2.7V			5.2	
		V _{CC} =3.3V±0.3V	1		4.7	
Propagation delay from input OE to output Y	t _{EN}	V _{CC} =1.8V		14.3		ns
		V _{CC} =2.5V±0.2V	1		8.3	
		V _{CC} =2.7V			6.3	
		V _{CC} =3.3V±0.3V	1		5.7	
Propagation delay from input OE to output Y	t _{DIS}	V _{CC} =1.8V		14.7		ns
		V _{CC} =2.5V±0.2V	1		8.7	
		V _{CC} =2.7V			6.7	
		V _{CC} =3.3V±0.3V	1.3		6	
Skew between any two outputs of the same package switching in the same direction	t _{SK(O)}	V _{CC} =3.3V±0.3V			1	ns

■ OPERATING CHARACTERISTICS

(f=10MHz, Outputs enable, T_A =25°C , unless otherwise specified)

PARAMETER	SYMBOL	TEST CONDITIONS	MIN	TYP	MAX	UNIT
Power dissipation capacitance per gate	C _{PD}	V _{CC} = 1.8V		20		pF
		V _{CC} = 2.5V		21		pF
		V _{CC} = 3.3V		22		pF
		V _{CC} = 1.8V		2		pF
		V _{CC} = 2.5V		3		pF
		V _{CC} = 3.3V		4		pF

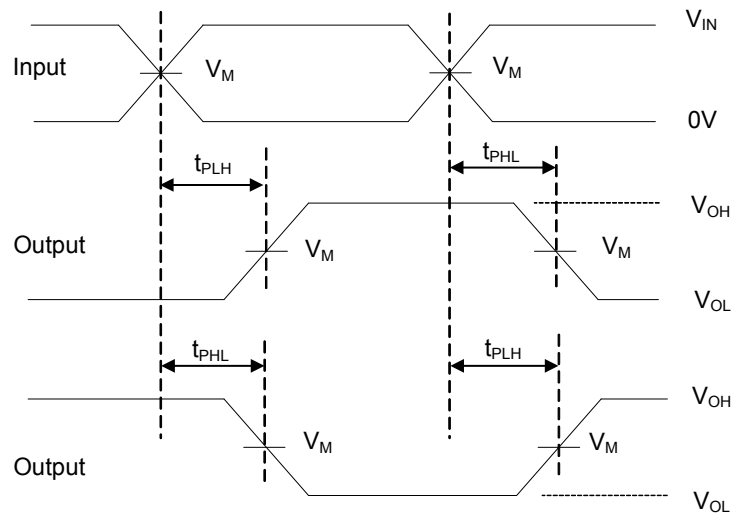
TEST CIRCUIT AND WAVEFORMS



TEST CIRCUIT

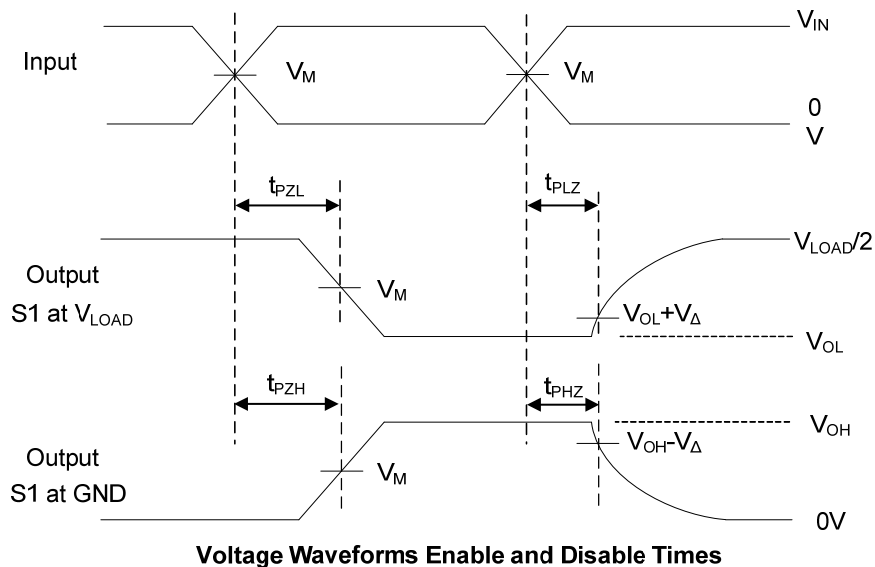
TEST	S1		
	$V_{CC} = 1.8V \pm 0.15V$	$V_{CC} = 2.5V \pm 0.2V$	$V_{CC} = 2.7V$ AND $3.3V \pm 0.3V$
t_{PLH}/t_{PHL}	Open	Open	Open
t_{PLZ}/t_{PZL}	V_{LOAD}	V_{LOAD}	6V
t_{PHZ}/t_{PZH}	GND	GND	GND

V_{CC}	Input		V_M	V_{LOAD}	C_L	R_L	V_{Δ}
	V_{IN}	t_R, t_F					
$1.8V \pm 0.15V$	V_{CC}	$\leq 2ns$	$V_{CC}/2$	$2 * V_{CC}$	30pF	1k Ω	0.15V
$2.5V \pm 0.2V$	V_{CC}	$\leq 2ns$	$V_{CC}/2$	$2 * V_{CC}$	30pF	500 Ω	0.15V
2.7V	V_{CC}	$\leq 2ns$	1.5V	6V	50pF	500 Ω	0.3V
$3.3V \pm 0.3V$	V_{CC}	$\leq 2ns$	1.5V	6V	50pF	500 Ω	0.3V



Voltage Waveforms Propagation Delay Times

■ TEST CIRCUIT AND WAVEFORMS(Cont.)



Notes: 1. C_L includes probe and jig capacitance.

2. All input pulses are supplied by generators having the following characteristics: PRR \leq 1MHz, $Z_O = 50\Omega$.

3. t_{PLH} and t_{PHL} are the same as t_{PD} .

4. t_{PZL} and t_{PZH} are the same as t_{EN} .

5. t_{PLZ} and t_{PHZ} are the same as t_{DIS} .

UTC assumes no responsibility for equipment failures that result from using products at values that exceed, even momentarily, rated values (such as maximum ratings, operating condition ranges, or other parameters) listed in products specifications of any and all UTC products described or contained herein. UTC products are not designed for use in life support appliances, devices or systems where malfunction of these products can be reasonably expected to result in personal injury. Reproduction in whole or in part is prohibited without the prior written consent of the copyright owner. UTC reserves the right to make changes to information published in this document, including without limitation specifications and product descriptions, at any time and without notice. This document supersedes and replaces all information supplied prior to the publication hereof.