



U74LVC2G157

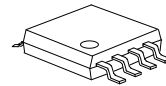
CMOS IC

SINGLE 2-LINE TO 1-LINE DATA SELECTOR OR MULTIPLEXER

DESCRIPTION

The **U74LVC2G157** is a single 2-line to 1-line data selector or multiplexer which is featured a common strobe (\bar{G}) input. When the strobe is high, the output Y is low and \bar{Y} is high regardless of the levels of other inputs. When the strobe is low, a single bit is selected from one of two sources and is transferred to the output with the true and complementary data.

This device has power-down protective circuit, preventing device destruction when it is powered down.



SOP-8

FEATURES

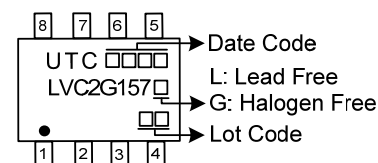
- * Operate from 1.65V to 5.5V
- * Inputs accept voltages to 5.5V
- * I_{off} supports partial-power-down mode
- * Low power dissipation: $I_{CC}=10\mu A(\text{Max.})$
- * $\pm 24\text{mA}$ output drive($V_{CC}=3.3\text{V}$)
- * Max tpd at 6ns of 3.3V

ORDERING INFORMATION

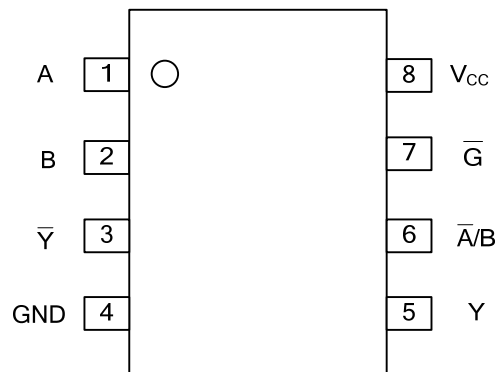
Ordering Number		Package	Packing
Free Plating	Halogen Free		
U74LVC2G157L-S08-R	U74LVC2G157G-S08-R	SOP-8	Tape Reel

<p>U74LVC2G157G-S08-R</p>	<p>(1) Packing Type</p> <p>(2) Package Type</p> <p>(3) Green Package</p>	<p>(1) R: Tape Reel</p> <p>(2) S08: SOP-8</p> <p>(3) G: Halogen Free and Lead Free, L: Lead Free</p>
---------------------------	--	--

MARKING



■ PIN CONFIGURATION

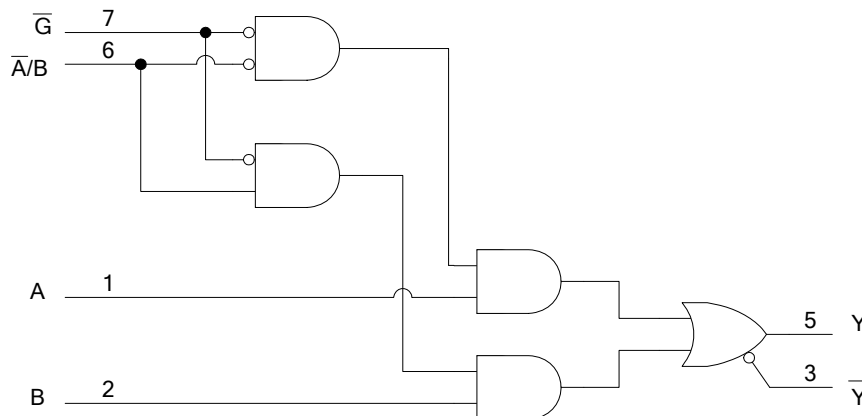


■ FUNCTION TABLE (EACH GATE)

INPUTS				OUTPUT	
\bar{G}	$\bar{A/B}$	A	B	Y	\bar{Y}
H	X	X	X	L	H
L	L	L	X	L	H
L	L	H	X	H	L
L	H	X	L	L	H
L	H	X	H	H	L

Note: H: HIGH voltage level; L: LOW voltage level; X: Don't care

■ LOGIC DIAGRAM (positive logic)



■ ABSOLUTE MAXIMUM RATING

PARAMETER		SYMBOL	RATINGS	UNIT
Supply Voltage		V_{CC}	-0.5 ~ +6.5	V
Input Voltage		V_{IN}	-0.5 ~ +6.5	V
Output Voltage	Output in the high or low state	V_{OUT}	-0.5 ~ $V_{CC}+0.5$	V
	Output in the high-impedance or power-off state		-0.5 ~ +6.5	V
V_{CC} or GND Current		I_{CC}	±100	mA
Continuous Output Current ($V_{OUT}=0$ to V_{CC})		I_{OUT}	±50	mA
Input Clamp Current ($V_{IN}<0$)		I_{IK}	-50	mA
Output Clamp Current ($V_{OUT}<0$)		I_{OK}	-50	mA
Storage Temperature Range		T_{STG}	-65 ~ +150	°C

Note: Absolute maximum ratings are those values beyond which the device could be permanently damaged. Absolute maximum ratings are stress ratings only and functional device operation is not implied.

■ RECOMMENDED OPERATING CONDITIONS

PARAMETER	SYMBOL	TEST CONDITIONS	MIN	TYP	MAX	UNIT
Supply Voltage	V_{CC}	Operating	1.65		5.5	V
		Data retention only	1.5			V
Input Voltage	V_{IN}		0		5.5	V
Output Voltage	V_{OUT}		0		V_{CC}	V
High-Level Input Voltage	V_{IH}	$V_{CC}=1.65V\sim 1.95V$	$0.65 \cdot V_{CC}$			V
		$V_{CC}=2.3V\sim 2.7V$	1.7			
		$V_{CC}=3.0V\sim 3.6V$	2			
		$V_{CC}=4.5V\sim 5.5V$	$0.7 \cdot V_{CC}$			
Low-Level Input Voltage	V_{IL}	$V_{CC}=1.65V\sim 1.95V$			$0.35 \cdot V_{CC}$	V
		$V_{CC}=2.3V\sim 2.7V$			0.7	
		$V_{CC}=3.0V\sim 3.6V$			0.8	
		$V_{CC}=4.5V\sim 5.5V$			$0.3 \cdot V_{CC}$	
High-level Output Current	I_{OH}	$V_{CC}=1.65V$			-4	mA
		$V_{CC}=2.3V$			-8	mA
		$V_{CC}=3.0V$			-16	mA
		$V_{CC}=3.0V$			-24	mA
		$V_{CC}=4.5V$			-32	mA
Low-level Output Current	I_{OL}	$V_{CC}=1.65V$			4	mA
		$V_{CC}=2.3V$			8	mA
		$V_{CC}=3.0V$			16	mA
		$V_{CC}=3.0V$			24	mA
		$V_{CC}=4.5V$			32	mA
Input Transition Rise or Fall Rate	$\Delta t/\Delta v$	$V_{CC}=1.65V\sim 1.95V, 2.3V\sim 2.7V$			20	ns/V
		$V_{CC}=3.0V\sim 3.6V$			10	ns/V
		$V_{CC}=4.5V\sim 5.5V$			5	ns/V
Operating Temperature	T_A		-40		85	°C

■ ELECTRICAL CHARACTERISTICS (T_A =25°C , unless otherwise specified)

PARAMETER	SYMBOL	TEST CONDITIONS	MIN	TYP	MAX	UNIT
High-Level Output Voltage	V _{OH}	V _{CC} =1.65V~5.5V, I _{OH} =-100μA	V _{CC} -0.1			V
		V _{CC} =1.65V, I _{OH} =-4mA	1.2			
		V _{CC} =2.3V, I _{OH} =-8mA	1.9			
		V _{CC} =3.0V, I _{OH} =-16mA	2.2			
		V _{CC} =3.0V, I _{OH} =-24mA	2.3			
		V _{CC} =4.5V, I _{OH} =-32mA	3.8			
Low-Level Output Voltage	V _{OL}	V _{CC} =1.65V~5.5V, I _{OL} =-100μA			0.1	V
		V _{CC} =1.65V, I _{OL} =4mA			0.45	
		V _{CC} =2.3V, I _{OL} =8mA			0.3	
		V _{CC} =3.0V, I _{OL} =16mA			0.4	
		V _{CC} =3.0V, I _{OL} =24mA			0.55	
		V _{CC} =4.5V, I _{OL} =32mA			0.55	
Input Leakage Current	I _{I(LEAK)}	V _{CC} =0V~5.5V, V _{IN} =5.5V or GND			±5	μA
Power OFF Leakage Current	I _{OFF}	V _{CC} =0V, V _{IN} or V _{OUT} =5.5V			±10	μA
Quiescent Supply Current	I _Q	V _{CC} =1.65V~5.5V, V _{IN} =5.5V or GND, I _{OUT} =0			10	μA
Additional Quiescent Supply Current	ΔI _Q	V _{CC} =3V~5.5V, One input at V _{CC} -0.6V, other inputs at V _{CC} or GND			500	μA
Input Capacitance	C _{IN}	V _{CC} =3.3V, V _{IN} =V _{CC} or GND		5		pF

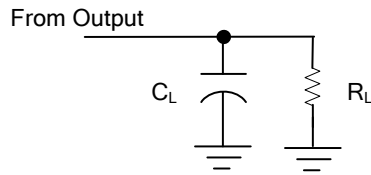
■ SWITCHING CHARACTERISTICS (T_A =25°C , unless otherwise specified)

PARAMETER	SYMBOL	TEST CONDITIONS	MIN	TYP	MAX	UNIT
Propagation delay from input (A or B) to output(Y or \bar{Y})	t _{PLH} /t _{PHL}	V _{CC} =1.65V~1.95V	4.4		14	ns
		V _{CC} =2.3V~2.7V	2.1		8	
		V _{CC} =3.0V~3.6V	2		6	
		V _{CC} =4.5V~5.5V	1.4		4	
Propagation delay from input (\bar{A} /B) to output(Y or \bar{Y})	t _{PLH} /t _{PHL}	V _{CC} =1.65V~1.95V	4.9		16	ns
		V _{CC} =2.3V~2.7V	2.5		9	
		V _{CC} =3.0V~3.6V	2.1		6	
		V _{CC} =4.5V~5.5V	1.6		4	
Propagation delay from input (\bar{G}) to output(Y or \bar{Y})	t _{PLH} /t _{PHL}	V _{CC} =1.65V~1.95V	4.2		14	ns
		V _{CC} =2.3V~2.7V	2		8	
		V _{CC} =3.0V~3.6V	1.6		6	
		V _{CC} =4.5V~5.5V	1.3		4	

■ OPERATING CHARACTERISTICS (T_A =25°C , unless otherwise specified)

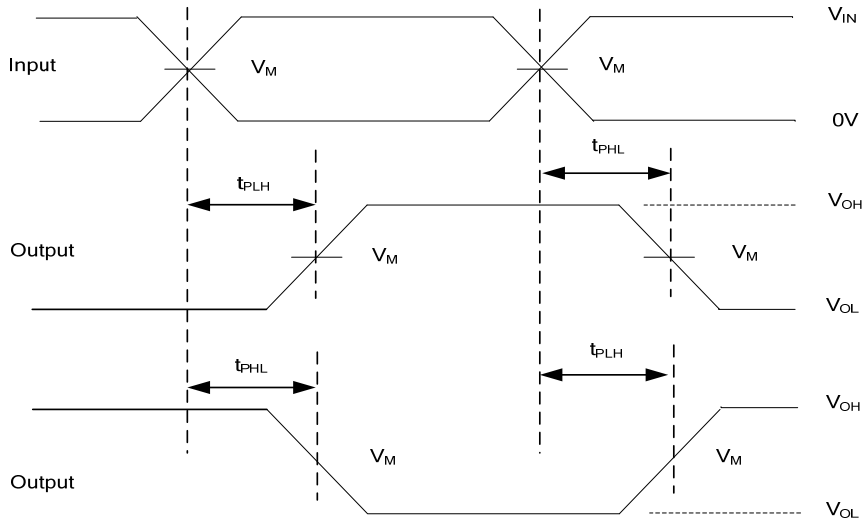
PARAMETER	SYMBOL	TEST CONDITIONS	MIN	TYP	MAX	UNIT
Power Dissipation Capacitance	C _{pd}	V _{CC} =1.8V, f =10MHz		35		pF
		V _{CC} =2.5V, f =10MHz		35		pF
		V _{CC} =3.3V, f =10MHz		37		pF
		V _{CC} =5V, f =10MHz		40		pF

■ TEST CIRCUIT AND WAVEFORMS



TEST CIRCUIT

V_{CC}	Inputs		V_M	C_L	R_L
	V_{IN}	t_R, t_F			
$V_{CC}=1.65V\sim 1.95V$	V_{CC}	$\leq 2ns$	$V_{CC}/2$	30pF	1K Ω
$V_{CC}=2.3V\sim 2.7V$	V_{CC}	$\leq 2ns$	$V_{CC}/2$	30pF	500 Ω
$V_{CC}=3.0V\sim 3.6V$	3.0V	$\leq 2.5ns$	1.5V	50pF	500 Ω
$V_{CC}=4.5V\sim 5.5V$	V_{CC}	$\leq 2.5ns$	$V_{CC}/2$	50pF	500 Ω



PROPAGATION DELAY TIMES

Note: 1. C_L includes probe and jig capacitance.

2. All input pulses are supplied by generators having the following characteristics: PRR $\leq 10MHz$, $Z_o = 50\Omega$.

UTC assumes no responsibility for equipment failures that result from using products at values that exceed, even momentarily, rated values (such as maximum ratings, operating condition ranges, or other parameters) listed in products specifications of any and all UTC products described or contained herein. UTC products are not designed for use in life support appliances, devices or systems where malfunction of these products can be reasonably expected to result in personal injury. Reproduction in whole or in part is prohibited without the prior written consent of the copyright owner. UTC reserves the right to make changes to information published in this document, including without limitation specifications and product descriptions, at any time and without notice. This document supersedes and replaces all information supplied prior to the publication hereof.