



U74LVC2G241

CMOS IC

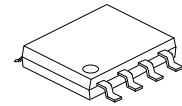
DUAL BUFFER/LINE DRIVER WITH 3-STATE OUTPUT

DESCRIPTION

The **U74LVC2G241** is designed specifically to improve both the performance and density of 3-state memory-address drivers, clock drivers, and bus-oriented receivers and transmitters.

The **U74LVC2G241** is organized as two 1-bit line drivers with separate output-enable ($\overline{1OE}$, $2OE$) inputs. When $\overline{1OE}$ is low and $2OE$ is high, the device passes data from the A inputs to the Y output. When $\overline{1OE}$ is high and $2OE$ is low, the output are in the high-impedance state.

To ensure the high-impedance state during power up or power down, \overline{OE} should be tied to V_{CC} through a pull up resistor, and OE should be tied to GND through a pull down resistor, the minimum value of the resistor is determined by the current-sinking or the current-sourcing capability of the driver.



SOP-8

FEATURES

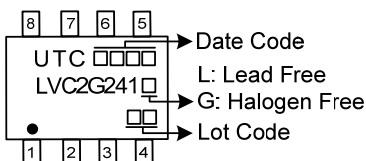
- * Wide supply voltage range from 1.65V to 5.5V
- * Inputs accept voltages up to 5.5V
- * I_{OFF} supports partial-power-down mode
- * Low static power consumption; $I_{CC}=10\mu A$ (Max.)

ORDERING INFORMATION

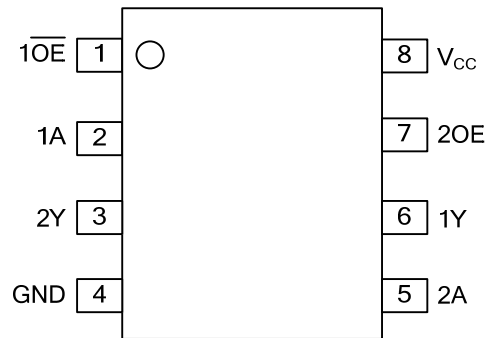
Ordering Number		Package	Packing
Free Plating	Halogen Free		
U74LVC2G241L-S08-R	U74LVC2G241G-S08-R	SOP-8	Tape Reel

<p>U74LVC2G241G-S08-R</p> <ul style="list-style-type: none"> (1) Packing Type (2) Package Type (3) Green Package 	<ul style="list-style-type: none"> (1) R: Tape Reel (2) S08: SOP-8 (3) G: Halogen Free and Lead Free, L: Lead Free
---	---

MARKING



■ PIN CONFIGURATION

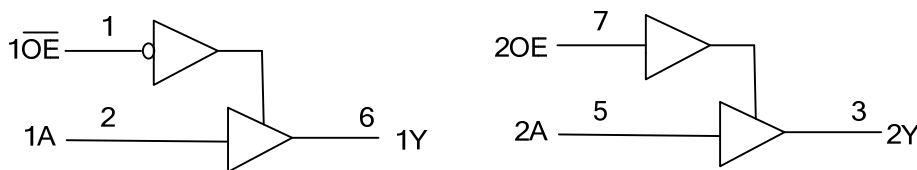


■ FUNCTION TABLE

INPUT(\overline{OE})	INPUT(1A)	OUTPUT(1Y)	INPUT(2OE)	INPUT(2A)	OUTPUT(2Y)
L	H	H	H	H	H
L	L	L	H	L	L
H	X	Z	L	X	Z

H = High voltage level ; L = Low voltage level ; X = Don't care ; Z = High-impedance OFF-state

■ LOGIC DIAGRAM (positive logic)



Logic symbol

FLYING 汎翔國際有限公司
www.flying1688.com

■ ABSOLUTE MAXIMUM RATING

PARAMETER	SYMBOL	CONDITIONS	RATINGS	UNIT
Supply Voltage	V_{CC}		-0.5 ~ +6.5	V
Input Voltage	V_{IN}		-0.5 ~ +6.5	V
Output Voltage	V_{OUT}	Output in the high or low state	-0.5 ~ $V_{CC} + 0.5$	V
		Output in the power-off state	-0.5 ~ +6.5	V
Continuous V_{CC} or GND Current	I_{CC}		±100	mA
Continuous Output Current	I_{OUT}	$V_{OUT}=0V \sim V_{CC}$	±50	mA
Input Clamp Current	I_{IK}	$V_{IN}<0V$	-50	mA
Output Clamp Current	I_{OK}	$V_{OUT}>V_{CC}$ or $V_{OUT}<0V$	-50	mA
Storage Temperature Range	T_{STG}		-65 ~ +150	°C

Note: Absolute maximum ratings are those values beyond which the device could be permanently damaged. Absolute maximum ratings are stress ratings only and functional device operation is not implied.

■ RECOMMENDED OPERATING CONDITIONS

PARAMETER	SYMBOL	TEST CONDITIONS	MIN	TYP	MAX	UNIT
Supply Voltage	V_{CC}	Operating	1.65		5.5	V
		Data retention only	1.5			V
Input Voltage	V_{IN}		0		5.5	V
Output Voltage	V_{OUT}	High or low state	0		V_{CC}	V
Operating Temperature	T_A		-40		85	°C
Input Transition Rise or Fall Rate	$\Delta t/\Delta v$	$V_{CC}=1.8V\pm 0.15V, 2.5V\pm 0.2V$			20	ns/V
		$V_{CC}=3.3V\pm 0.3V$			10	ns/V
		$V_{CC}=5V\pm 0.5V$			5	ns/V

■ ELECTRICAL CHARACTERISTICS ($T_A = 25^\circ C$, unless otherwise specified)

PARAMETER	SYMBOL	TEST CONDITIONS	MIN	TYP	MAX	UNIT	
High-level Input Voltage	V_{IH}	$V_{CC}=1.8\pm 0.15V$	$0.65 \times V_{CC}$			V	
		$V_{CC}=2.5\pm 0.2V$	1.7			V	
		$V_{CC}=3.3\pm 0.3V$	2			V	
		$V_{CC}=5\pm 0.5V$	$0.7 \times V_{CC}$			V	
Low-level Input Voltage	V_{IL}	$V_{CC}=1.8\pm 0.15V$			$0.35 \times V_{CC}$	V	
		$V_{CC}=2.5\pm 0.2V$			0.7	V	
		$V_{CC}=3.3\pm 0.3V$			0.8	V	
		$V_{CC}=5\pm 0.5V$			$0.3 \times V_{CC}$	V	
High-Level Output Voltage	V_{OH}	$V_{CC}=1.65 \sim 5.5V, I_{OH}=-100\mu A$	$V_{CC}-0.1$			V	
		$V_{CC}=1.65V, I_{OH}=-4mA$	1.2			V	
		$V_{CC}=2.3V, I_{OH}=-8mA$	1.9			V	
		$V_{CC}=3.0V$	$I_{OH}=-16mA$	2.4			V
			$I_{OH}=-24mA$	2.3			V
$V_{CC}=4.5V, I_{OH}=-32mA$	3.8			V			
Low-Level Output Voltage	V_{OL}	$V_{CC}=1.65 \sim 5.5V, I_{OH}=100\mu A$			0.1	V	
		$V_{CC}=1.65V, I_{OH}=4mA$			0.45	V	
		$V_{CC}=2.3V, I_{OH}=8mA$			0.3	V	
		$V_{CC}=3.0V$	$I_{OH}=16mA$			0.4	V
			$I_{OH}=24mA$			0.55	V
$V_{CC}=4.5V, I_{OH}=32mA$			0.55	V			

■ ELECTRICAL CHARACTERISTICS (Cont.)

PARAMETER	SYMBOL	TEST CONDITIONS	MIN	TYP	MAX	UNIT
Input Leakage Current	$I_{I(LEAK)}$	$V_{CC}=0 \sim 5.5V, V_{IN}=5.5V$ or GND			± 5	μA
Power OFF Leakage Current	I_{off}	$V_{CC}=0V, V_{IN}$ or $V_{OUT}=5.5V$			± 10	μA
OFF-state output current	I_{OZ}	$V_{CC}=3.6V, V_{IN} = V_{IH}$ or $V_{IL}, V_{OUT}=5.5V$ or GND			10	μA
Quiescent Supply Current	I_{CC}	$V_{CC}=1.65 \sim 5.5V, V_{IN}=V_{CC}$ or GND, $I_{OUT}=0$			10	μA
Additional Quiescent Supply Current Per Input Pin	ΔI_{CC}	$V_{CC}=3 \sim 5.5V$, One input at $V_{CC}-0.6V$, Other inputs at V_{CC} or GND			500	μA
Input Capacitance	C_I	$V_{CC}=3.3V, V_{IN}=V_{CC}$ or GND		3.5		pF
Output Capacitance	C_O	$V_{CC}=3.3V, V_{OUT}=V_{CC}$ or GND		6.5		pF

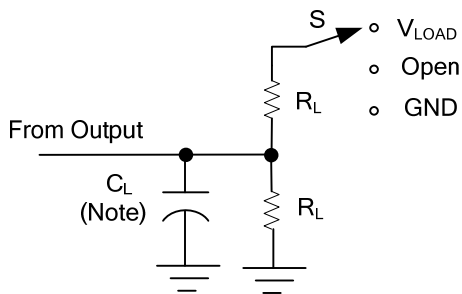
■ SWITCHING CHARACTERISTICS ($T_A = 25^\circ C$, unless otherwise specified)

PARAMETER	SYMBOL	TEST CONDITIONS	MIN	TYP	MAX	UNIT
Propagation delay from inputs (A) to output(Y)	t_{PD}	$V_{CC}=1.8\pm 0.15V, C_L=30pF, R_L=1k\Omega$	3.3		8.8	ns
		$V_{CC}=2.5\pm 0.2V, C_L=30pF, R_L=500\Omega$	1.5		4.8	ns
		$V_{CC}=3.3\pm 0.3V, C_L=50pF, R_L=500\Omega$	1.4		4.3	ns
		$V_{CC}=5\pm 0.5V, C_L=50pF, R_L=500\Omega$	1		3.7	ns
Propagation delay from input (\overline{OE}) to output(Y)	t_{en}	$V_{CC}=1.8\pm 0.15V, C_L=30pF, R_L=1k\Omega$	4		9.9	ns
		$V_{CC}=2.5\pm 0.2V, C_L=30pF, R_L=500\Omega$	1.9		5.6	ns
		$V_{CC}=3.3\pm 0.3V, C_L=50pF, R_L=500\Omega$	1.2		4.7	ns
		$V_{CC}=5\pm 0.5V, C_L=50pF, R_L=500\Omega$	1.2		3.8	ns
Propagation delay from input (\overline{OE}) to output(Y)	t_{dis}	$V_{CC}=1.8\pm 0.15V, C_L=30pF, R_L=1k\Omega$	1.5		11.6	ns
		$V_{CC}=2.5\pm 0.2V, C_L=30pF, R_L=500\Omega$	1		5.8	ns
		$V_{CC}=3.3\pm 0.3V, C_L=50pF, R_L=500\Omega$	1.4		4.4	ns
		$V_{CC}=5\pm 0.5V, C_L=50pF, R_L=500\Omega$	1		3.4	ns
Propagation delay from input (OE) to output(Y)	t_{en}	$V_{CC}=1.8\pm 0.15V, C_L=30pF, R_L=1k\Omega$	3.2		8.8	ns
		$V_{CC}=2.5\pm 0.2V, C_L=30pF, R_L=500\Omega$	1.5		4.7	ns
		$V_{CC}=3.3\pm 0.3V, C_L=50pF, R_L=500\Omega$	1.6		4.1	ns
		$V_{CC}=5\pm 0.5V, C_L=50pF, R_L=500\Omega$	1.1		3.3	ns
Propagation delay from input (OE) to output(Y)	t_{dis}	$V_{CC}=1.8\pm 0.15V, C_L=30pF, R_L=1k\Omega$	1.7		12.5	ns
		$V_{CC}=2.5\pm 0.2V, C_L=30pF, R_L=500\Omega$	1		5.2	ns
		$V_{CC}=3.3\pm 0.3V, C_L=50pF, R_L=500\Omega$	1		4.2	ns
		$V_{CC}=5\pm 0.5V, C_L=50pF, R_L=500\Omega$	1		3.3	ns

■ OPERATING CHARACTERISTICS ($f=10MHz, T_A = 25^\circ C$, unless otherwise specified)

PARAMETER	SYMBOL	TEST CONDITIONS	MIN	TYP	MAX	UNIT
Power Dissipation Capacitance	Output enabled	$V_{CC}=1.8V$		19		pF
		$V_{CC}=2.5V$		19		pF
		$V_{CC}=3.3V$		20		pF
		$V_{CC}=5V$		22		pF
	Output disabled	$V_{CC}=1.8V$		2		pF
		$V_{CC}=2.5V$		2		pF
		$V_{CC}=3.3V$		2		pF
		$V_{CC}=5V$		3		pF

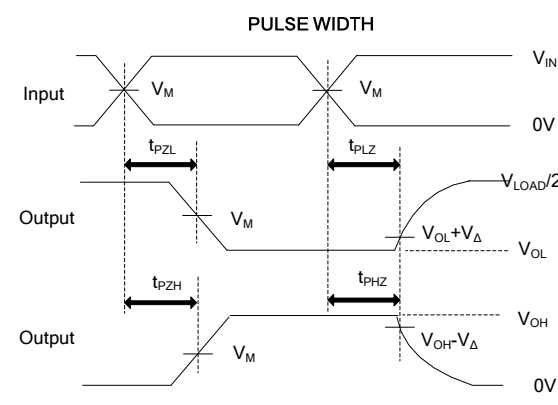
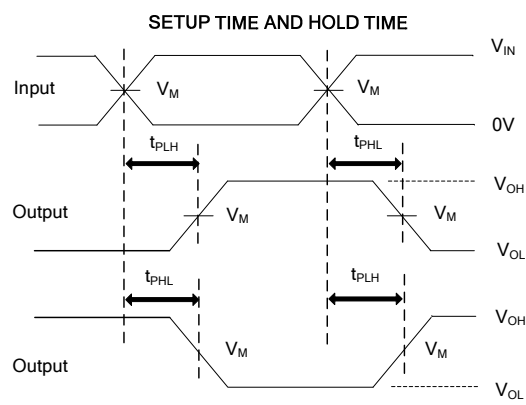
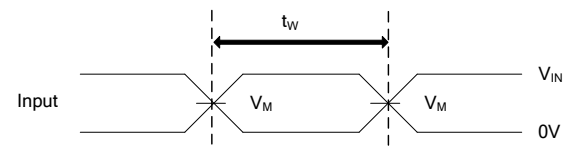
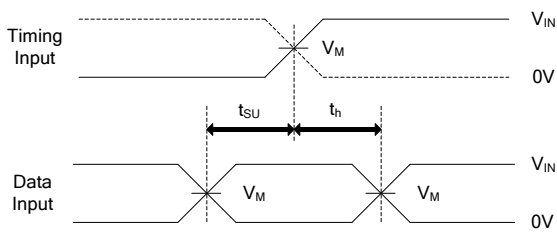
TEST CIRCUIT AND WAVEFORMS



TEST	S
t_{PLH}/t_{PHL}	Open
t_{PLZ}/t_{PZL}	V_{LOAD}
t_{PHZ}/t_{PZH}	GND

Note: C_L includes probe and jig capacitance.

V_{CC}	V_{IN}	t_R / t_F	V_M	V_{LOAD}	C_L	R_L	V_{Δ}
$1.8V \pm 0.15V$	V_{CC}	$\leq 2ns$	$V_{CC}/2$	$2 \times V_{CC}$	30pF	1K Ω	0.15V
$2.5V \pm 0.2V$	V_{CC}	$\leq 2ns$	$V_{CC}/2$	$2 \times V_{CC}$	30pF	500 Ω	0.15V
$3.3V \pm 0.3V$	3V	$\leq 2.5ns$	1.5V	6V	50pF	500 Ω	0.3V
$5V \pm 0.5V$	V_{CC}	$\leq 2.5ns$	$V_{CC}/2$	$2 \times V_{CC}$	50pF	500 Ω	0.3V



PROPAGATION DELAY TIMES

ENABLE AND DISABLE TIMES

Notes: 1. C_L includes probe and jig capacitance.

2. All input pulses are supplied by generators having the following characteristics: PRR $\leq 10MHz$, $Z_O = 50\Omega$.

UTC assumes no responsibility for equipment failures that result from using products at values that exceed, even momentarily, rated values (such as maximum ratings, operating condition ranges, or other parameters) listed in products specifications of any and all UTC products described or contained herein. UTC products are not designed for use in life support appliances, devices or systems where malfunction of these products can be reasonably expected to result in personal injury. Reproduction in whole or in part is prohibited without the prior written consent of the copyright owner. UTC reserves the right to make changes to information published in this document, including without limitation specifications and product descriptions, at any time and without notice. This document supersedes and replaces all information supplied prior to the publication hereof.