



U74LVC2G32

CMOS IC

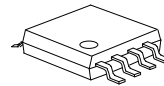
DUAL 2-INPUT POSITIVE-OR GATE

DESCRIPTION

The **U74LVC2G32** is a dual 2-input OR gate which performs the function $Y=A+B$ or $Y=\overline{A} * \overline{B}$. It is designed for 1.65V to 5.5V operation.

FEATURES

- * Wide Supply Voltage Range from 1.65V to 5.5V
- * Max t_{PD} of 3.8 ns at 3.3V
- * Up to 5.5V Inputs Accept Voltages
- * Low Power Consumption, $I_{CC} = 10 \mu A$ (Max.)
- * ± 24 mA Output Driver at 3.3V
- * Typical V_{OLP} (Output Ground Bounce) $< 0.8V$, $V_{CC} = 3.3 V$, $T_A = 25^\circ C$
- * Typical V_{OHV} (Output V_{OH} Undershoot) $> 2V$, $V_{CC} = 3.3 V$, $T_A = 25^\circ C$



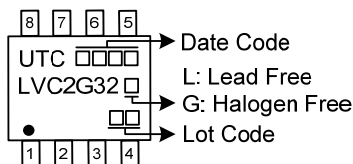
MSOP-8

ORDERING INFORMATION

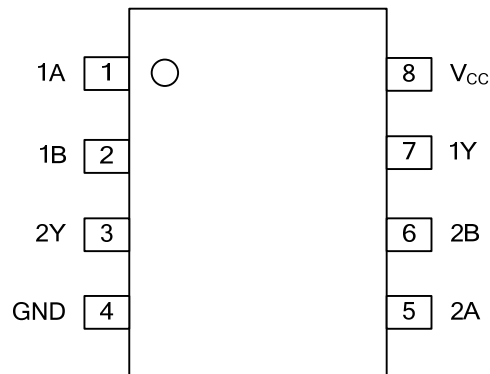
Ordering Number		Package	Packing
Lead Free	Halogen Free		
U74LVC2G32L-SM1-R	U74LVC2G32G-SM1-R	MSOP-8	Tape Reel

<p>U74LVC2G32G-SM1-R</p> <p>(1) Packing Type (2) Package Type (3) Green Package</p>	<p>(1) R: Tape Reel (2) SM1: MSOP-8 (3) G: Halogen Free and Lead Free, L: Lead Free</p>
---	---

MARKING



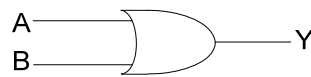
■ PIN CONFIGURATION



■ FUNCTION TABLE (Each Gate)

INPUTS		OUTPUT
A	B	Y
L	L	L
L	H	H
H	L	H
H	H	H

■ LOGIC DIAGRAM (Positive Logic)



Logic symbol

FLYING 汎翔國際有限公司
www.flying1688.com

■ ABSOLUTE MAXIMUM RATING

PARAMETER	SYMBOL	RATINGS	UNIT
Supply Voltage	V_{CC}	-0.5 ~ 6.5	V
Input Voltage	V_{IN}	-0.5 ~ 6.5	V
Output Voltage (any output in the high-impedance or power-off state)	V_{OUT}	-0.5 ~ 6.5	V
Output Voltage (any output in the high or low state)	V_{OUT}	-0.5 ~ $V_{CC}+0.5$	V
Input Clamp Current	I_{IK}	-50	mA
Output Clamp Current	I_{OK}	-50	mA
Output Current	I_{OUT}	±50	mA
V_{CC} or GND Current	I_{CC}	±100	mA
Storage Temperature	T_{STG}	-65 ~ +150	°C

Note: 1. The input and output voltage ratings may be exceeded if the input and output current ratings are observed.
 2. Absolute maximum ratings are those values beyond which the device could be permanently damaged.
 Absolute maximum ratings are stress ratings only and functional device operation is not implied.

■ THERMAL DATA

PARAMETER	SYMBOL	RATINGS	UNIT
Junction to Ambient	θ_{JA}	220	°C /W

■ RECOMMENDED OPERATING CONDITIONS

PARAMETER	SYMBOL	CONDITIONS	MIN	TYP	MAX	UNIT
Supply Voltage	V_{CC}	Operating	1.65		5.5	V
		Data retention only	1.5			
High-Level Input Voltage	V_{IH}	$V_{CC}=1.65V\sim 1.95V$	$0.65 \times V_{CC}$			V
		$V_{CC}=2.3V\sim 2.7V$	1.7			
		$V_{CC}=3V\sim 3.6V$	2			
		$V_{CC}=4.5V\sim 5.5V$	$0.7 \times V_{CC}$			
Low-Level Input Voltage	V_{IL}	$V_{CC}=1.65V\sim 1.95V$			$0.35 \times V_{CC}$	V
		$V_{CC}=2.3V\sim 2.7V$			0.7	
		$V_{CC}=3V\sim 3.6V$			0.8	
		$V_{CC}=4.5V\sim 5.5V$			$0.3 \times V_{CC}$	
Input Voltage	V_{IN}		0		5.5	V
Output Voltage	V_{OUT}		0		V_{CC}	V
High-level Output Current	I_{OH}	$V_{CC}=1.65V$			-4	mA
		$V_{CC}=2.3V$			-8	
		$V_{CC}=3V$			-16	
		$V_{CC}=4.5V$			-24	
Low-level Output Current	I_{OL}	$V_{CC}=1.65V$			4	mA
		$V_{CC}=2.3V$			8	
		$V_{CC}=3V$			16	
		$V_{CC}=4.5V$			24	
Input Transition Rise or Fall Rate	t_R / t_F	$V_{CC}=1.8\pm 0.15V, 2.5\pm 0.2V$			20	ns/V
		$V_{CC}=3.3\pm 0.3V$			10	
		$V_{CC}=5.0\pm 0.5V$			5	
Operating Temperature	T_A		-40		85	°C

■ ELECTRICAL CHARACTERISTICS (T_A=25°C, V_{CC}=3.3V, unless otherwise specified)

PARAMETER	SYMBOL	TEST CONDITIONS	MIN	TYP ⁽¹⁾	MAX	UNIT
High-Level Output Voltage	V _{OH}	V _{CC} =1.65V to 5.5V, I _{OH} =-100μA	V _{CC} -0.1			V
		V _{CC} =1.65V, I _{OH} =-4mA	1.2			
		V _{CC} =2.3V, I _{OH} =-8mA	1.9			
		V _{CC} =3V, I _{OH} =-16mA	2.4			
		V _{CC} =3V, I _{OH} =-24mA	2.3			
		V _{CC} =4.5V, I _{OH} =-32mA	3.8			
Low-Level Output Voltage	V _{OL}	V _{CC} =1.65V~5.5V, I _{OL} =100μA			0.1	V
		V _{CC} =1.65V, I _{OL} =4mA			0.45	
		V _{CC} =2.3V, I _{OL} =8mA			0.3	
		V _{CC} =3V, I _{OL} =16mA			0.4	
		V _{CC} =3V, I _{OL} =24mA			0.55	
		V _{CC} =4.5V, I _{OL} =32mA			0.55	
Input Leakage Current	I _{I(LEAK)}	V _{IN} = 5.5V or GND, V _{CC} = 0 to 5.5V			±5	μA
OFF-state Current	I _{OFF}	V _{IN} or V _O = 5.5V, V _{CC} = 0V			±10	μA
Quiescent Supply Current	I _Q	V _{IN} = 5.5V or GND, I _{OUT} = 0, V _{CC} = 1.65V to 5.5V			10	μA
Additional quiescent Supply Current	Δ I _Q	One input at V _{CC} - 0.6V; other inputs at V _{CC} or GND; V _{CC} =3V to 5.5V			500	μA
Input Capacitance	C _{IN}	V _{IN} = V _{CC} or GND, V _{CC} =3.3V		5		pF

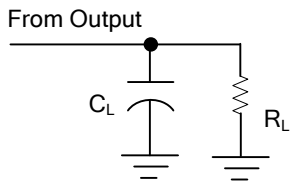
■ SWITCHING CHARACTERISTICS (T_A=25°C, unless otherwise specified)

PARAMETER	SYMBOL	TEST CONDITIONS	MIN	TYP	MAX	UNIT	
Propagation delay from input (A or B) to output (Y)	t _{PLH} / t _{PHL}	V _{CC} =1.8±0.15V, R _L =1KΩ	C _L =30pF	2.4		8	ns
		V _{CC} =2.5±0.2V, R _L =500Ω		1		4.4	
		V _{CC} =3.3±0.3V, R _L =500Ω	C _L =50pF	1		3.8	
		V _{CC} =5±0.5V, R _L =500Ω		1		3.2	

■ OPERATING CHARACTERISTICS (f=10MHz, T_A=25°C, unless otherwise specified)

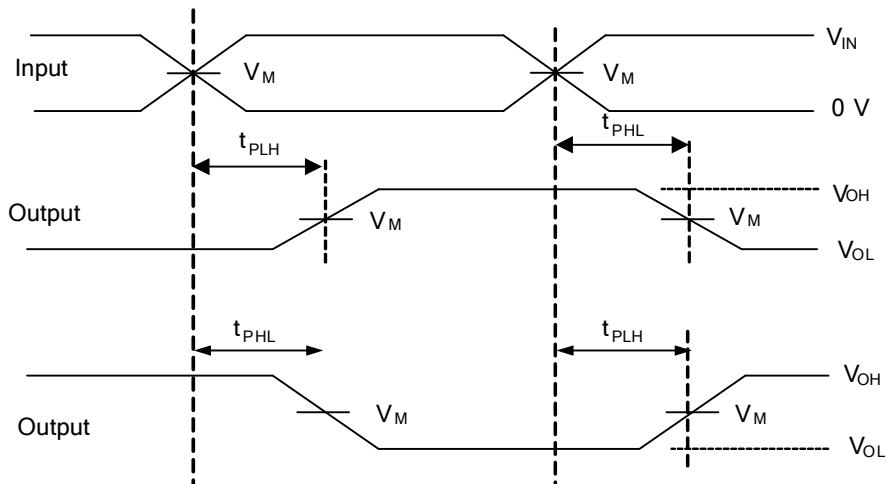
PARAMETER	SYMBOL	TEST CONDITIONS	MIN	TYP	MAX	UNIT
Power Dissipation Capacitance	C _{PD}	V _{CC} =1.8V		17		pF
		V _{CC} =2.5V		17		
		V _{CC} =3.3V		17		
		V _{CC} =5V		19		

■ TEST CIRCUIT AND WAVEFORMS



TEST CIRCUIT

V _{CC}	INPUTS		V _M	C _L	R _L
	V _{IN}	t _R , t _F			
1.8V±0.15V	V _{CC}	≤2ns	V _{CC} /2	30pF	1KΩ
2.5V±0.2V	V _{CC}	≤2ns	V _{CC} /2	30pF	500Ω
3.3V±0.3V	3V	≤2.5ns	1.5V	50pF	500Ω
5V±0.5V	V _{CC}	≤2.5ns	V _{CC} /2	50pF	500Ω



PROPAGATION DELAY TIMES

- Notes: 1. C_L includes probe and jig capacitance.
 2. All input pulses are supplied by generators having the following characteristics: PRR ≤10MHz, Z_O = 50Ω.

UTC assumes no responsibility for equipment failures that result from using products at values that exceed, even momentarily, rated values (such as maximum ratings, operating condition ranges, or other parameters) listed in products specifications of any and all UTC products described or contained herein. UTC products are not designed for use in life support appliances, devices or systems where malfunction of these products can be reasonably expected to result in personal injury. Reproduction in whole or in part is prohibited without the prior written consent of the copyright owner. UTC reserves the right to make changes to information published in this document, including without limitation specifications and product descriptions, at any time and without notice. This document supersedes and replaces all information supplied prior to the publication hereof.