

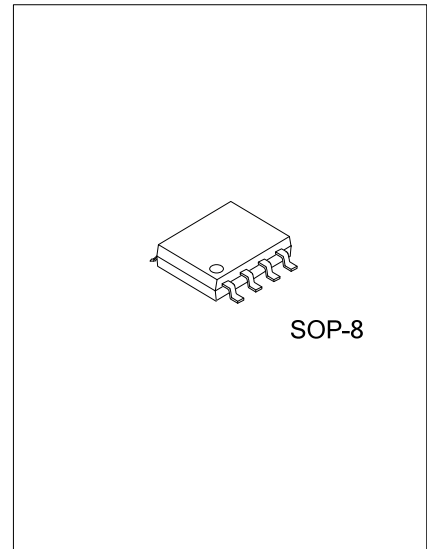


UC34363

Preliminary

LINEAR INTEGRATED CIRCUIT

CONSTANT VOLTAGE AND CONSTANT CURRENT CONTROLLER FOR BATTERY CHARGERS



DESCRIPTION

The UTC **UC34363** is a switch controller for constant voltage, constant current (CV/CC) application. The device could be used for battery charge. UTC **UC34363** is used of SOP-8 packages. Additionally the UTC **UC34363** intergrated a internal compensation capacitor, so that the application is simplical.

FEATURES

- * CV/CC linear charge
- * 3A maximum charge current
- * PWM control Mode
- * Available charge current
- * Over Voltage protect ,Over Current Protect
- * Enable Control function
- * Very Low Power Dissipation in Standby Mode

ORDERING INFORMATION

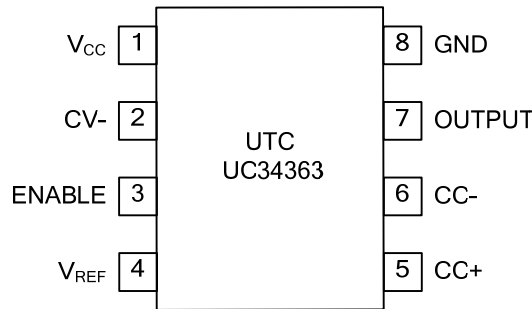
Ordering Number		Package	Packing
Lead Free	Halogen Free		
UC34363L-S08-R	UC34363G-S08-R	SOP-8	Tape Reel

<p>UC34363L-S08-R</p>	<p>(1) R: Tape Reel (2) S08: SOP-8 (3) L: Lead Free, G: Halogen Free</p>
-----------------------	--

MARKING INFORMATION

PACKAGE	MARKING
SOP-8	<p>Date Code L: Lead Free G: Halogen Free Lot Code</p>

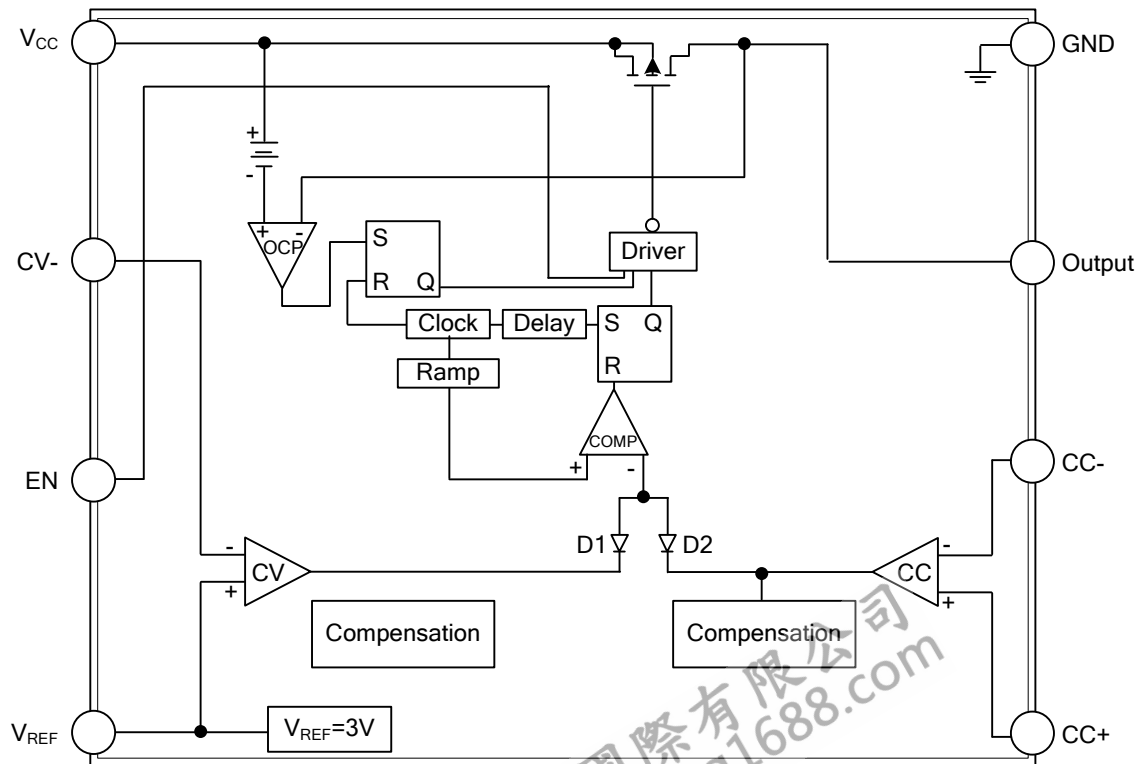
■ PIN CONFIGURATION



■ PIN DESCRIPTION

PIN NO.	PIN NAME	DESCRIPTION
1	V _{CC}	Power Supply
2	CV-	Negative Input of the Voltage Amplifier
3	ENABLE	Enable Controlled ON/OFF for IC
4	V _{REF}	3V external Voltage Reference
5	CC+	Positive Input of Current Amplifier
6	CC-	Negative Input of Current Amplifier
7	OUTPUT	Output
8	GND	Ground

■ BLOCK DIAGRAM



■ ABSOLUTE MAXIMUM RATING

PARAMETER	SYMBOL	RATINGS	UNIT
Power Supply Voltage	V_{CC}	30	V
CC+ Voltage	V_{CC+}	10	V
CC- Voltage	V_{CC-}	10	V
CV- Voltage	V_{CV-}	10	V
Operating Junction Temperature	T_J	125	°C

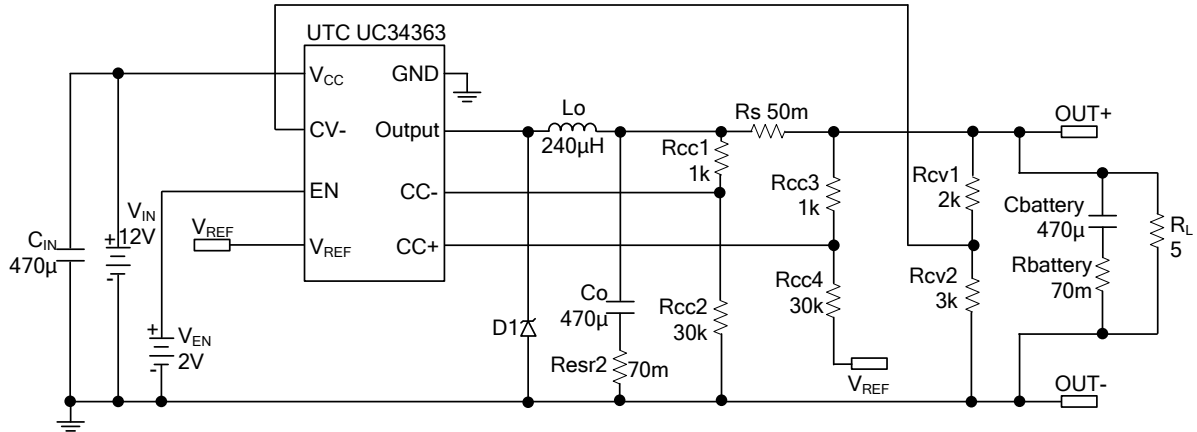
Note: Absolute maximum ratings are those values beyond which the device could be permanently damaged.

Absolute maximum ratings are stress ratings only and functional device operation is not implied.

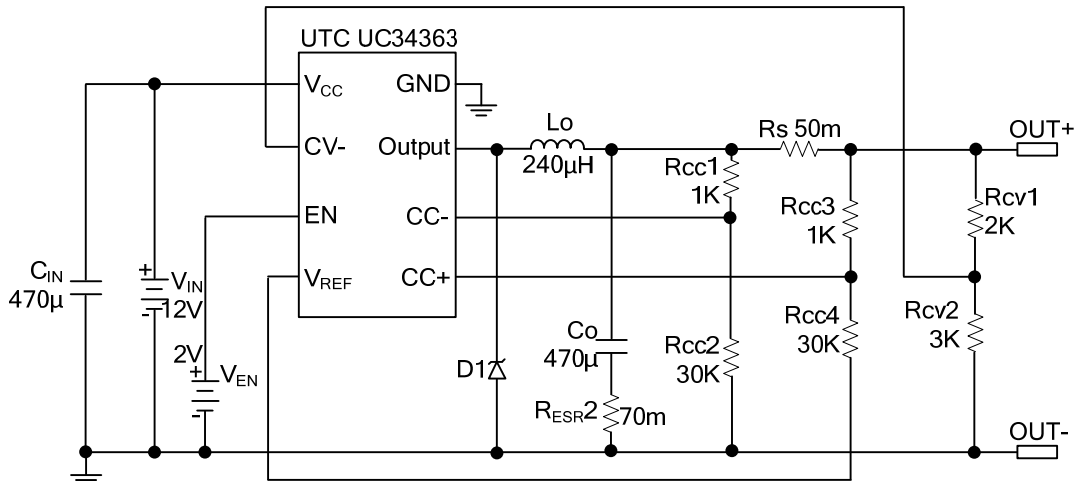
■ ELECTRICAL CHARACTERISTICS ($V_{IN}=15V$, $T_A=25^\circ C$, Unless otherwise specified)

PARAMETER	SYMBOL	TEST CONDITIONS	MIN	TYP	MAX	UNIT
Power Supply						
Power Supply Voltage	V_{CC}		8		30	V
Standby Supply Current	$I_{STANDBY}$	$V_{CC}=30V$		7	15	mA
Osc						
Oscillator Frequency	F_{OSC}			75		KHZ
CC						
Constant Current	CC	$R_S=50m\Omega$, $R_{CC1}=R_{CC3}=1K$, $R_{CC2}=R_{CC4}=30K$		2		A
Enable						
Enable Logic Input Level	V_{ON}		2			V
	V_{OFF}				1.5	V
V_{REF}						
Reference Input Voltage	V_{REF}	$I_{LOAD}=5mA$		3.0		V
Protect						
Thermal Shutdown	T_{OTP}			150		°C

■ TEST CIRCUIT



■ TYPICAL APPLICATION CIRCUIT



UTC assumes no responsibility for equipment failures that result from using products at values that exceed, even momentarily, rated values (such as maximum ratings, operating condition ranges, or other parameters) listed in products specifications of any and all UTC products described or contained herein. UTC products are not designed for use in life support appliances, devices or systems where malfunction of these products can be reasonably expected to result in personal injury. Reproduction in whole or in part is prohibited without the prior written consent of the copyright owner. The information presented in this document does not form part of any quotation or contract, is believed to be accurate and reliable and may be changed without notice.