



## UCHQ200

Preliminary

CMOS IC

### USB DEDICATED CHARGING PORT CONTROLLER WITH QC 2.0 FAST CHARGING FUNCTION

#### DESCRIPTION

The UTC **UCHQ200** is a fast charge protocol controller and follows Quick Charge 2.0 specification for smart power bank application. The protocol feature monitors USB D+/D- data line voltage, and automatically adjusts output voltage of power bank and wall adaptor to optimize charge time.

UTC **UCHQ200** is a high performance solution for fast-charging mechanism and it saves charging time. It supports the full output voltage range of either Class A or Class B. Optionally Class B can be inhibited for protecting the battery charger from accidental damage.

UTC **UCHQ200** can support not only USB BC compliant devices, but also Apple / Samsung devices and automatically detects whether a connected powered device (PD) is Quick Charge 2.0 capable before enabling output voltage adjustment. If a PD not compliant to Quick Charge 2.0 is detected the **UCHQ200** disables output voltage adjustment to ensure safe operation with legacy 5V only USB P<sub>DS</sub>.

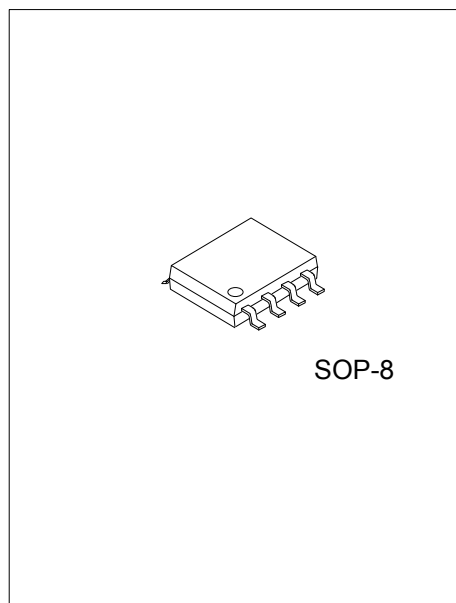
#### FEATURES

- \* Fully Supports Quick Charge 2.0 specification:
  - Class A: 5V, 9V, 12V Output Voltage.
  - Class B: 5V, 9V, 12V, 20V Output Voltage.
- \* Supports USB DCP Shorting D+ Line to D- Line per USB Battery Charging Specification, Revision 1.2.
- \* Meets Chinese Telecommunication Industrial Standard YD/T 1591-2009.
- \* Supports USB DCP applying 2.7V on D+ line and 2.7V on D- line.
- \* Supports USB DCP applying 1.2V on D+ and D- lines.
- \* Automatic selection of D+/D- mode for an attached device.
- \* Compliant with Apple and Samsung devices.

#### ORDERING INFORMATION

Ordering Number	Package	Packing
UCHQ200G-S08-R	SOP-8	Tape Reel

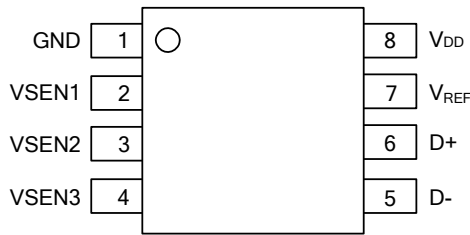
<p>UCHQ200G-S08-R</p> <ul style="list-style-type: none"> <li>(1) Packing Type</li> <li>(2) Package Type</li> <li>(3) Green Package</li> </ul>	<ul style="list-style-type: none"> <li>(1) R: Tape Reel</li> <li>(2) S08: SOP-8</li> <li>(3) G: Halogen Free and Lead Free</li> </ul>
---	---



MARKING INFORMATION

PACKAGE	VOLTAGE CODE	MARKING
SOP-8	05: 5.0V 09: 9.0V 12: 12V 20: 20V	

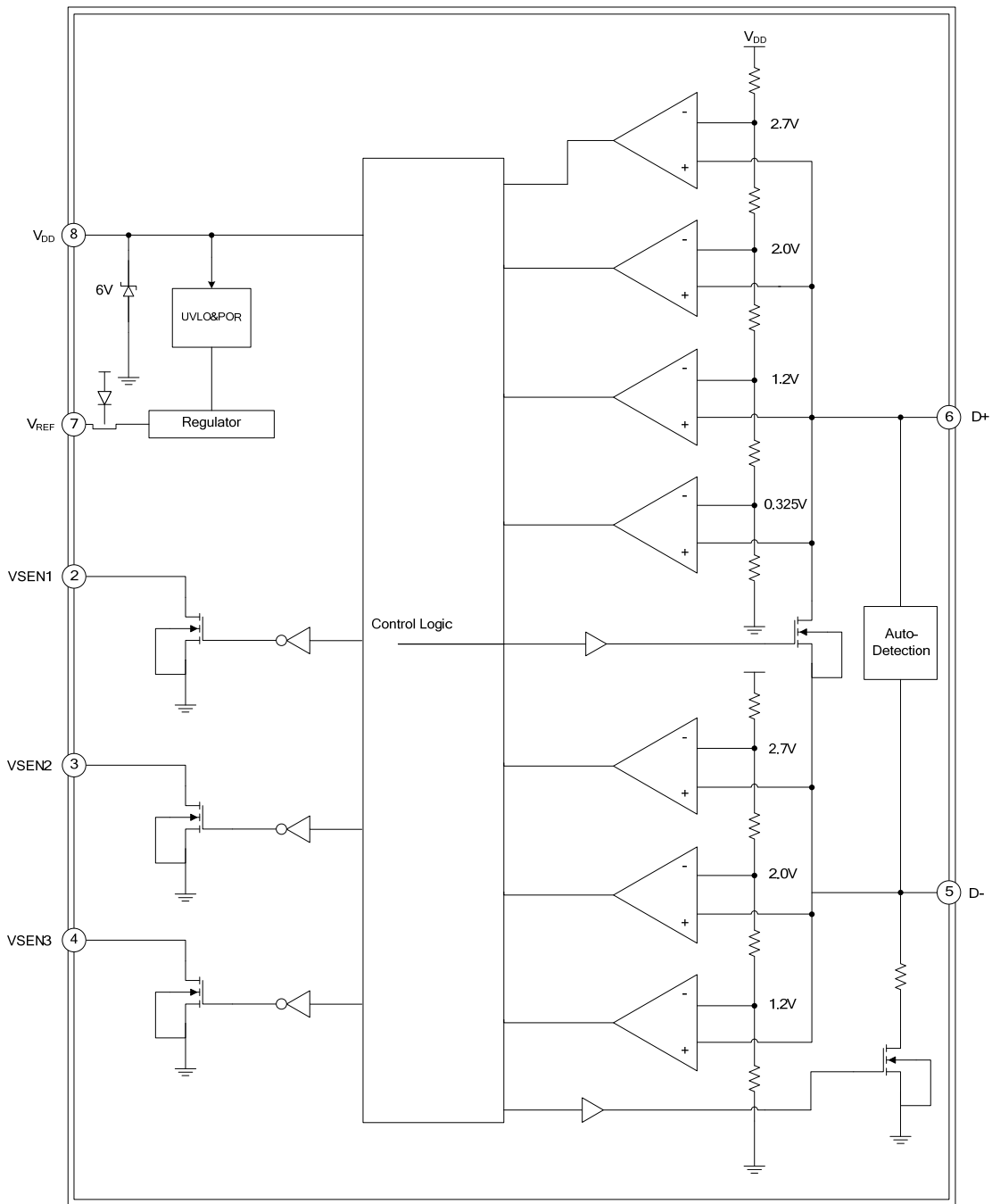
PIN CONFIGURATION



PIN DISCRIPTION

PIN NO	PIN NAME	DESCRIPTION
1	GND	Ground Pin.
2	VSEN1	Open Drain Output of output voltage adjustment switch. Active for 9V, 12V, 20V output setting.
3	VSEN2	Open Drain Output of output voltage adjustment switch. Active for 12V, 20V output setting.
4	VSEN3	Open Drain Output of output voltage adjustment switch. Active for 20V output setting.
5	D-	USB D- data line input
6	D+	USB D+ data line input
7	V <sub>REF</sub>	Internal Reference Voltage Output Pin. It must be with a resistor to GND
8	V <sub>DD</sub>	Power Supply Input Pin.

■ BLOCK DIAGRAM



■ OUTPUT VOLTAGE LOOKUP TABLE

D+	D-	Output Voltage	Internal Switch Setting		
			SW1	SW2	SW3
3.3V	3.3V	20V	0	0	0
0.6V	0.6V	12V	0	0	1
3.3V	0.6V	9V	0	1	1
0.6V	GND	5V(Default)	1	1	1

Note: 1 represent the NMOS are OFF, 0 represent the NMOS are ON.

### ■ ABSOLUTE MAXIMUM RATING

PARAMETER	SYMBOL	RATINGS	UNIT
Input Supply Voltage	$V_{DD}$	-0.3 ~ +8.0	V
All Other Pins Voltage		-0.3 ~ +8.0	V
Storage Temperature	$T_S$	-65 ~ + 150	°C

Note: Absolute maximum ratings are those values beyond which the device could be permanently damaged.

### ■ RECOMMENDED OPERATING CONDITIONS

PARAMETER	SYMBOL	TEST CONDITIONS	MIN	TYP	MAX	UNIT
Input Supply Voltage	$V_{DD}$	Operating	4.0		6.0	V
Operating Temperature Range	$T_{OPR}$		-40		+85	°C

### ■ ELECTRICAL CHARACTERISTICS ( $V_{DD}=5V$ , $T_A=25^\circ C$ , unless otherwise specified)

PARAMETER	SYMBOL	TEST CONDITIONS	MIN	TYP	MAX	UNIT
Input Voltage Range	$V_{DD}$		4		6	V
Input UVLO Threshold	$V_{UVLO(VTH)}$	$V_{DD}$ Rising	2.0		4.2	V
$V_{DD}$ Supply Current		$V_{DD}=5V$ , Measure $V_{DD}$ , SW1=SW2=SW3=off		600		uA
$V_{DD}$ Shunt Voltage	$V_{DD(SHUNT)}$	$I_{V_{DD}}=3mA$		6.4		V
Reference Voltage Output	$V_R$		1.18	1.23	1.28	V
<b>High Voltage Dedicated Charging Port (HVDACP)</b>						
Data Detect Voltage	$V_{DAT(REF)}$		0.25	0.325	0.4	V
D+ High Glitch Filter Time	$T_{GLITCH(BC)-D+ H}$		1000	1250	1500	ms
Output Voltage Glitch Filter Time	$T_{GLITCH(V)CHANGE}$		20	40	60	ms
D- Pull-Down Resistance	$R_{D-(DWN)}$			20		kΩ
Switch SW1 on-resistance	$R_{DS ON N1}$	SW1=200uA			300	Ω
Switch SW2 on-resistance	$R_{DS ON N2}$	SW2=200uA			300	Ω
Switch SW3 on-resistance	$R_{DS ON N3}$	SW3=200uA			300	Ω
Switch SW5 on-resistance	$R_{DS ON N5}$	SW5=200uA			40	Ω
<b>DCP 1.2V Charging Mode</b>						
D+ 1.2V/D- 1.2V line output voltage			1.08	1.2	1.32	V
D+ 1.2V/D- 1.2V line output Impedance				100		kΩ
<b>Apple 2.4A Mode</b>						
D+ 2.7V/D- 2.7V line output voltage			2.57	2.7	2.84	V
D+ 2.7V/D- 2.7V line output Impedance				33.6		kΩ

## ■ APPLICATION INFORMATION

**Function Description**

The UTC **UCHQ200** is a USB Dedicated Charging Port Controller can fast charge most of the handheld devices. It can be like the original charging adapter. The **UCHQ200** can support BC1.2, Apple Divider mode, Samsung device.

The UTC **UCHQ200** is a low cost USB high voltage dedicated charging port interface IC for Quick Charge 2.0 specification. It also supports full output voltage range of Quick Charge 2.0 Class A or Class B.

**Quick Charge 2.0 Interface**

Power up D+/D- is supply 2.7V to Apple Device and then supply D+ short to D- into BC1.2. Set the output voltage level 5V. If D+ continuous above 0.325V and keep 1.25 seconds **UCHQ200** into Quick Charge 2.0 operation mode.

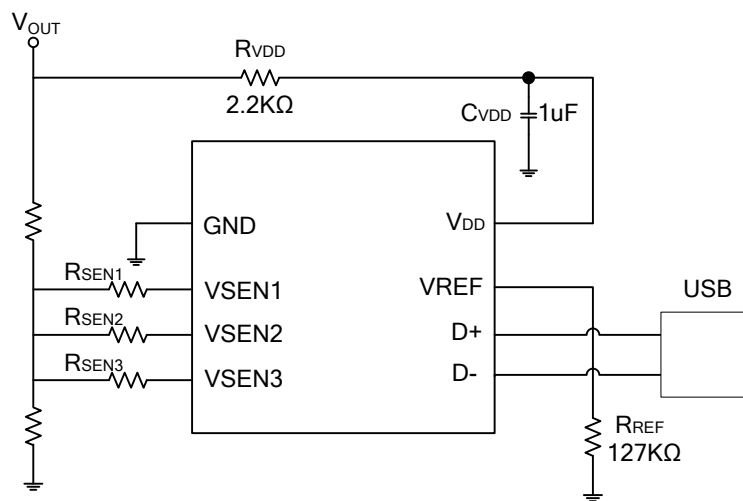
The output voltage (12V) can be inhibited by connect VSEN2 to  $V_{DD}$ . The output voltage (20V) can be inhibited by connect VSEN3 to  $V_{DD}$ .

If  $P_D$  without QC 2.0 the device will keep output voltage level 5V guarantee safe operation for only 5V USB PD.

**Shunt Regulator**

The wide power supply output voltage through external resistor from  $RV_{DD}$  to  $V_{IN}$ . The internal with Zener-Diode clamp  $V_{IN}$  pin at 6.4V.  $RV_{DD}=2.2K\Omega$  and  $CV_{DD}=1\mu F$ .  $R_{REF}=127 K\Omega$ .

■ APPLICATION CIRCUIT



UTC assumes no responsibility for equipment failures that result from using products at values that exceed, even momentarily, rated values (such as maximum ratings, operating condition ranges, or other parameters) listed in products specifications of any and all UTC products described or contained herein. UTC products are not designed for use in life support appliances, devices or systems where malfunction of these products can be reasonably expected to result in personal injury. Reproduction in whole or in part is prohibited without the prior written consent of the copyright owner. The information presented in this document does not form part of any quotation or contract, is believed to be accurate and reliable and may be changed without notice.