



# UCR316CM/A

**TRIAC**

## TRIAC

### DESCRIPTION

The **UCR316CM/A** is isolated glass passivation type triac for medium power use.

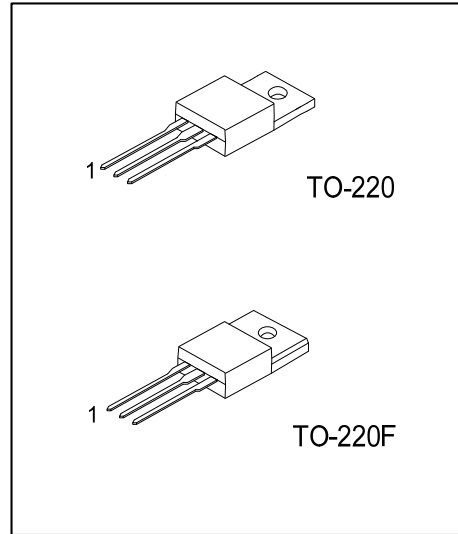
### FEATURES

- \* Repetitive Peak off-State Voltage:  $V_{DRM} = 400, 600V$
- \* R.M.S On-State Current:  $I_T (RMS) = 16A$
- \* High Commutating (dv / dt)

### APPLICATIONS

- \* Light Dimmer and Electric Flasher Unit.
- \* Household Electrical Equipment Control.
- \* Small Motor Control.
- \* Copy Machine.
- \* General Purpose Control Applications.

### ORDERING INFORMATION



Ordering Number		Package	Pin Assignment			Packing
Lead Free	Halogen Free		1	2	3	
UCR316CML-x-TA3-T	UCR316CMG-TA3-T	TO-220	MT1	MT2	G	Tube
UCR316CML-x-TF3-T	UCR316CMG-TF3-T	TO-220F	MT1	MT2	G	Tube
UCR316CMAL-x-TA3-T	UCR316CMAG-TA3-T	TO-220	MT1	MT2	G	Tube
UCR316CMAL-x-TF3-T	UCR316CMAG-TF3-T	TO-220F	MT1	MT2	G	Tube

Note: Pin Assignment: MT1: Terminal 1 MT2: Terminal 2 G: Gate

<p>UCR316CML-x-TA3-T</p> <p>(1) Packing Type (2) Package Type (3) <math>V_{DRM}, V_{DSM}</math> (4) Green Package</p>	<p>(1) T: Tube (2) TA3: TO-220, TF3: TO-220F (3) <math>V_{DRM}</math>: 4: 400V, 6: 600V; <math>V_{DSM}</math>: 4: 500V, 6: 720V (4) L: Lead Free, G: Halogen Free and Lead Free</p>
---	---

### MARKING

UCR316CM	UCR316CMA

■ ABSOLUTE MAXIMUM RATINGS

PARAMETER		SYMBOL	RATINGS	UNIT
Repetitive Peak Off-State Voltage (Note)	UCR316CM-4 UCR316CMA-4	$V_{DRM}$	400	V
	UCR316CM-6 UCR316CMA-6		600	
Non-Repetitive Peak Off-State Voltage (Note)	UCR316CM-4 UCR316CMA-4	$V_{DSM}$	500	V
	UCR316CM-6 UCR316CMA-6		720	
RMS On-State Current (Commercial Frequency, Full Sine Waveform $T_C=100^\circ\text{C}$ )		$I_{T(RMS)}$	16	A
Peak One Cycle Surge On-State Current (Non-Repetitive)	50Hz	$I_{TSM}$	155	A
	60Hz		170	
$I^2t$ Limit Value		$I^2t$	121	$\text{A}^2\text{s}$
Peak Gate Power Dissipation		$P_{GM}$	5	W
Average Gate Power Dissipation		$P_{G(AV)}$	0.5	W
Peak Gate Voltage		$V_{GM}$	10	V
Peak Gate Current		$I_{GM}$	2	A
Junction Temperature		$T_j$	125	$^\circ\text{C}$
Storage Temperature		$T_{STG}$	-40 ~ +150	$^\circ\text{C}$

Note: Gate Open.

■ THERMAL DATA

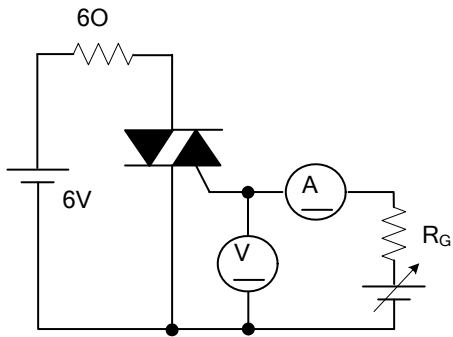
PARAMETER		SYMBOL	RATINGS	UNIT
Thermal Resistance Junction to Case	TO-220	$\theta_{JC}$	1.4	$^\circ\text{C/W}$
	TO-220F		3.0	$^\circ\text{C/W}$

■ ELECTRICAL CHARACTERISTICS ( $T_A=25^\circ\text{C}$ , unless otherwise specified)

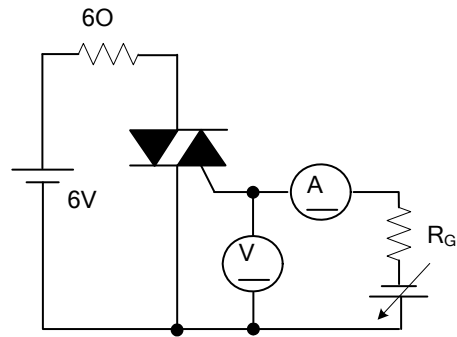
PARAMETER		SYMBOL	TEST CONDITIONS	MIN	TYP	MAX	UNIT	
Gate Trigger Voltage	I II III IV	$V_{GT}$	$V_D=6\text{V}, R_L=6\Omega$			1.5	V	
						MT2 (+), Gate (-)		1.5
						MT2 (-), Gate (-)		1.5
						MT2 (-), Gate (+)		-
Gate Trigger Current	UCR316CM	$I_{GT}$	$V_D=6\text{V}, R_L=6\Omega$			30	mA	
						MT2 (+), Gate (-)		30
						MT2 (-), Gate (-)		30
						MT2 (-), Gate (+)		-
	UCR316CMA					MT2 (+), Gate (+)		20
						MT2 (+), Gate (-)		20
						MT2 (-), Gate (-)		20
						MT2 (-), Gate (+)		
Peak On-State Voltage		$V_{TM}$	$I_{TM}=25\text{A}$			1.5	V	
Gate Non-Trigger Voltage		$V_{GD}$	$T_j=125^\circ\text{C}, V_D=1/2V_{DRM}$	0.2			V	
Repetitive Peak Off-State Current		$I_{DRM}$	$V_{DRM}$ Applied			2	mA	
Holding Current		$I_H$	$V_D=12\text{V}, I_{TM}=1\text{A}$		25	50	mA	
Critical Rate of Rise of Off-State Voltage	UCR316CM	$dv/dt$	$V_{DRM} = \text{Rated}, T_j = 125^\circ\text{C}$ Exponential Rise		300		V/ $\mu\text{s}$	
	UCR316CMA				200			
Critical Rate of Rise of Off-State Voltage at Commutation	UCR316CM	$(dv/dt)_c$	$V_{DRM} = 400\text{V}, T_j = 125^\circ\text{C}$ $(di/dt)_c = -8\text{A/ms}$		10		V/ $\mu\text{s}$	
	UCR316CMA				4			

■ TEST CIRCUITS

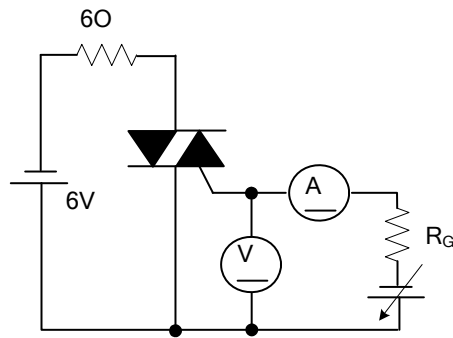
GATE TRIGGER CHARACTERISTICS



TEST PROCEDURE I

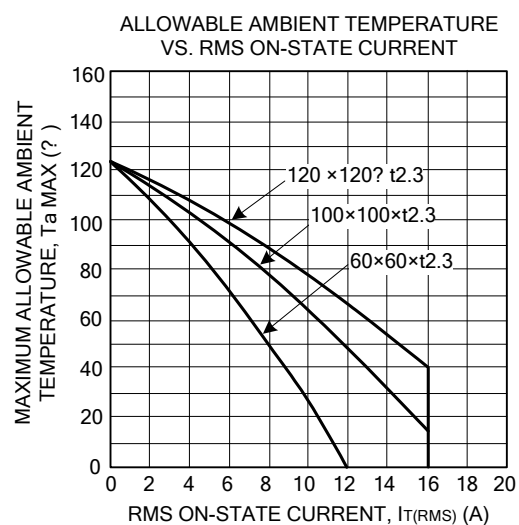
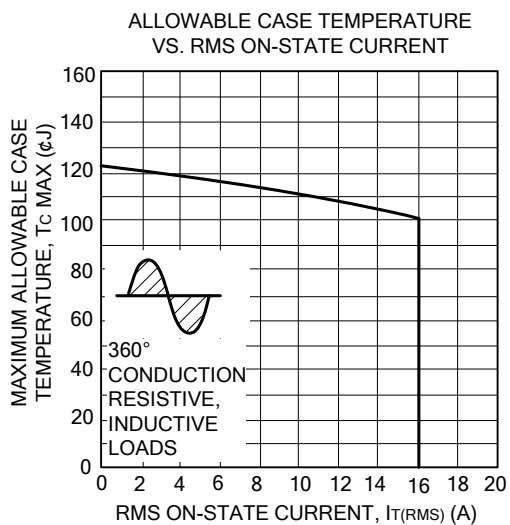
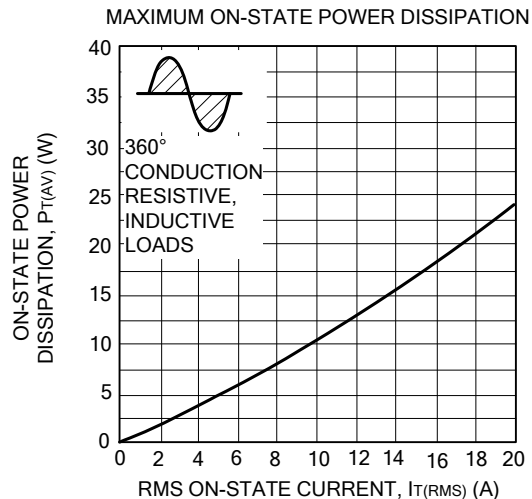
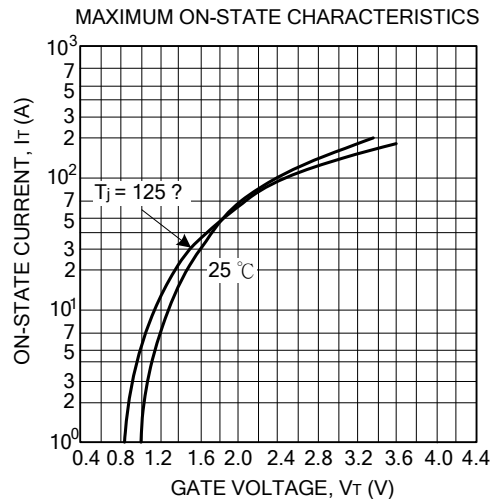
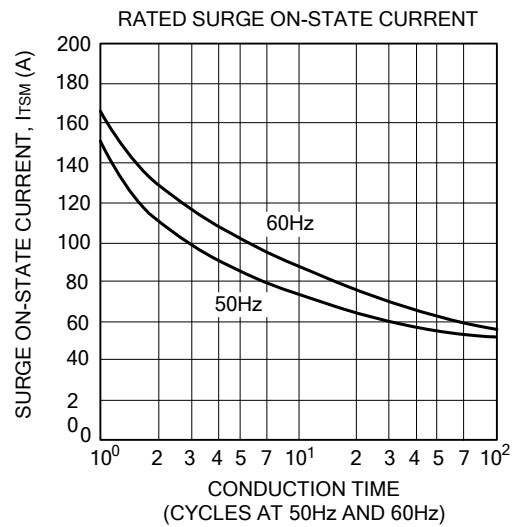
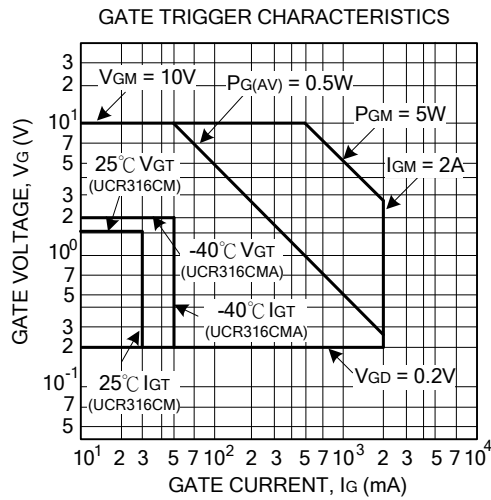


TEST PROCEDURE II

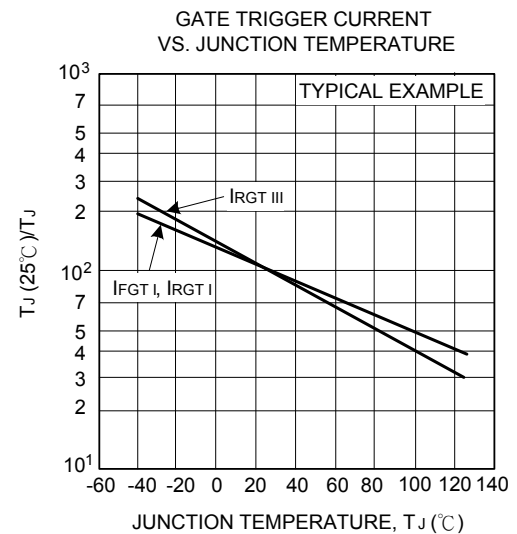
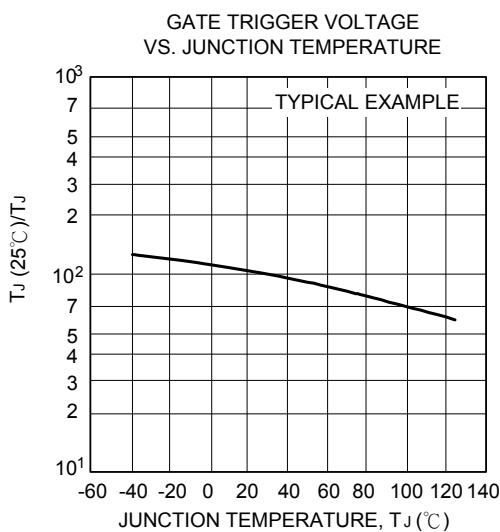
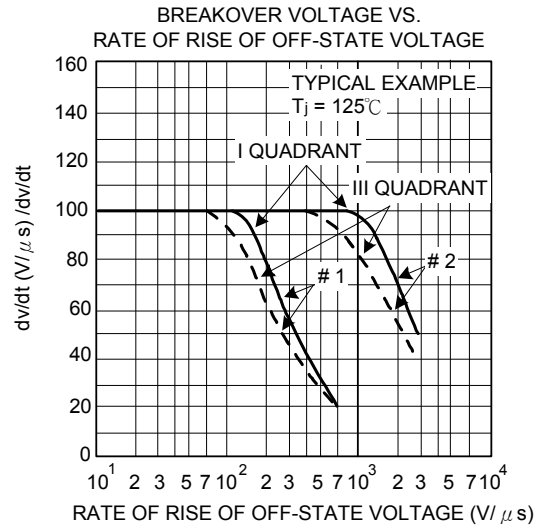
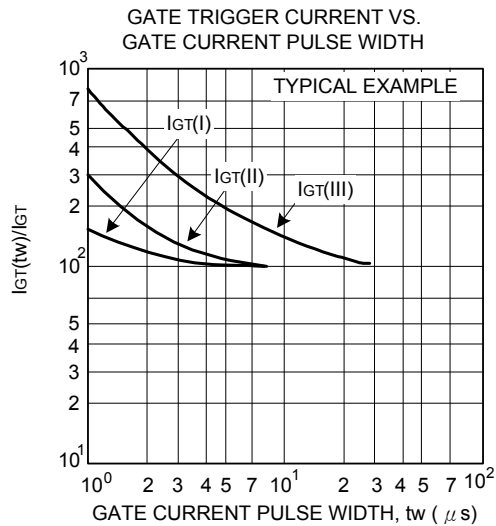
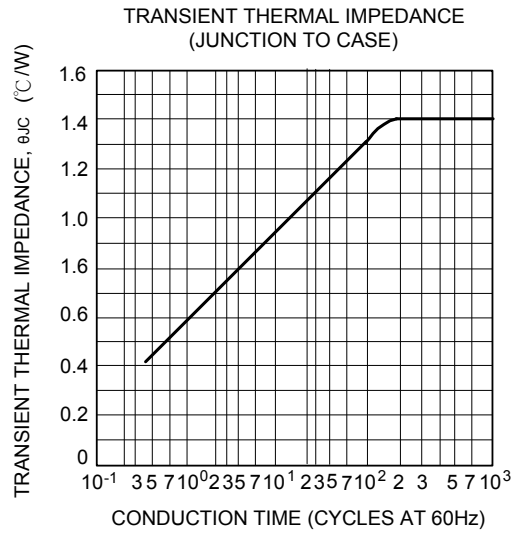
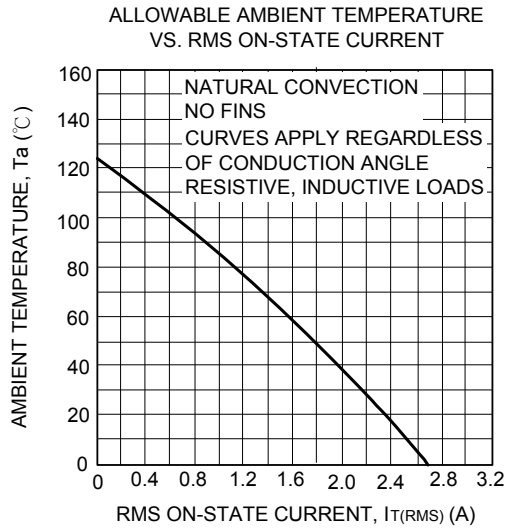


TEST PROCEDURE III

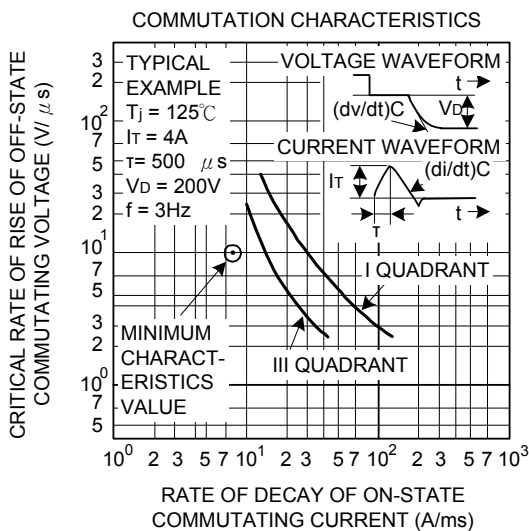
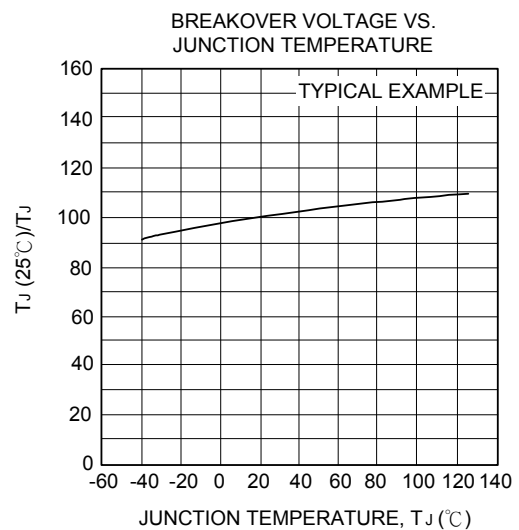
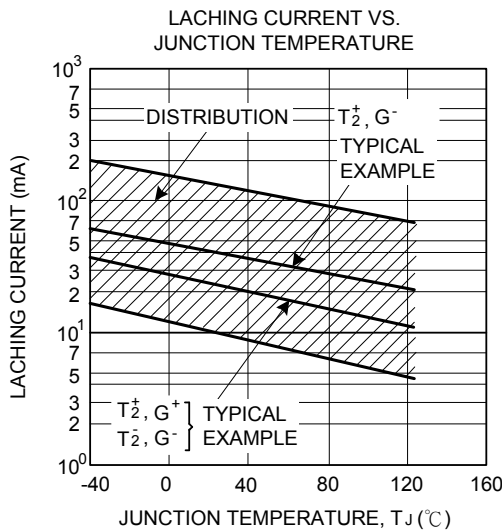
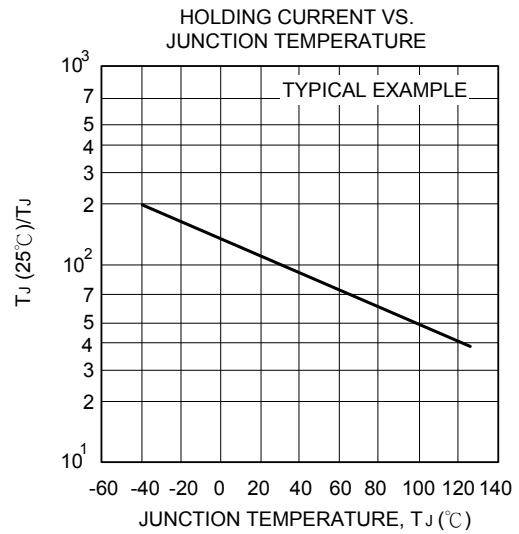
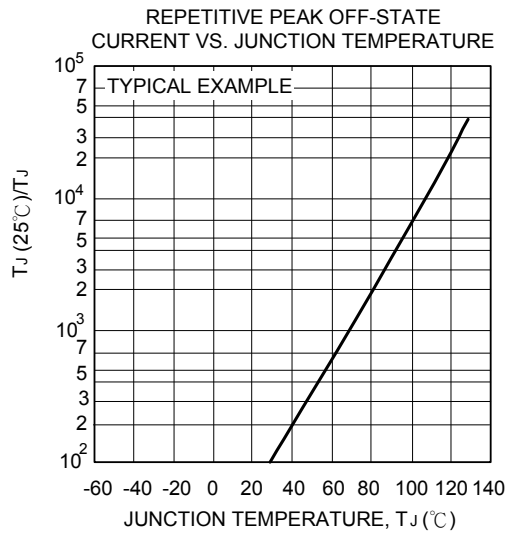
## TYPICAL CHARACTERISTICS



■ TYPICAL CHARACTERISTICS(Cont.)



■ TYPICAL CHARACTERISTICS(Cont.)



UTC assumes no responsibility for equipment failures that result from using products at values that exceed, even momentarily, rated values (such as maximum ratings, operating condition ranges, or other parameters) listed in products specifications of any and all UTC products described or contained herein. UTC products are not designed for use in life support appliances, devices or systems where malfunction of these products can be reasonably expected to result in personal injury. Reproduction in whole or in part is prohibited without the prior written consent of the copyright owner. The information presented in this document does not form part of any quotation or contract, is believed to be accurate and reliable and may be changed without notice.