



UF3205

Power MOSFET

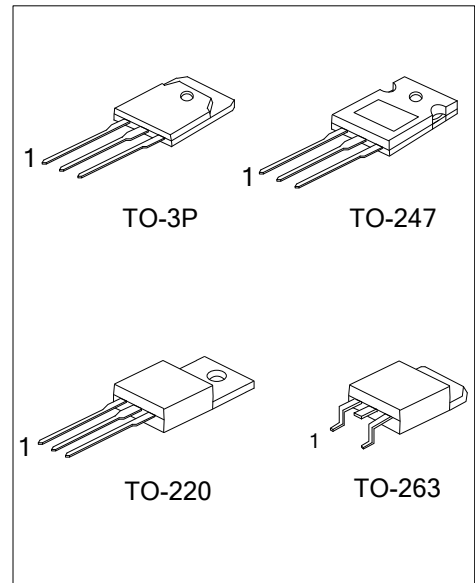
110A, 55V N-CHANNEL POWER MOSFET

DESCRIPTION

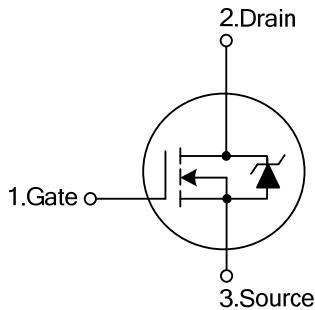
The UTC **UF3205** uses advanced technology to provide excellent $R_{DS(ON)}$, fast switching, low gate charge, and extremely efficient. This device is suitable for all commercial-industrial applications at power dissipation levels to approximately 50 watts.

FEATURES

- * $R_{DS(ON)} \leq 8.0m\Omega @ V_{GS}=10V, I_D=62A$
- * Ultra Low Gate Charge (146nC max)
- * Low Reverse Transfer Capacitance ($C_{RSS} = \text{typ. } 211 \text{ pF}$)
- * Fast Switching Capability
- * Avalanche Energy Specified
- * Improved dv/dt Capability, High Ruggedness



SYMBOL



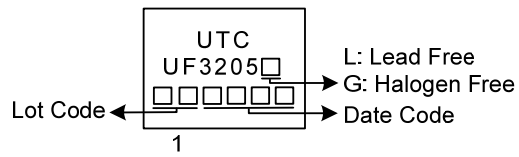
ORDERING INFORMATION

Ordering Number		Package	Pin Assignment			Packing
Lead Free	Halogen Free		1	2	3	
UF3205L-TA3-T	UF3205G-TA3-T	TO-220	G	D	S	Tube
UF3205L-T3P-T	UF3205G-T3P-T	TO-3P	G	D	S	Tube
UF3205L-T47-T	UF3205G-T47-T	TO-247	G	D	S	Tube
UF3205L-TQ2-T	UF3205G-TQ2-T	TO-263	G	D	S	Tube
UF3205L-TQ2-R	UF3205G-TQ2-R	TO-263	G	D	S	Tape Reel

Note: Pin Assignment: G: Gate D: Drain S: Source

<p>UF3205G-TA3-T</p> <p>(1)Packing Type (2)Package Type (3)Green Package</p>	<p>(1) T: Tube, R: Tape Reel (2) TA3: TO-220, T3P: TO-3P, T47: TO-247, TQ2: TO-263 (3) G: Halogen Free and Lead Free, L: Lead Free</p>
--	--

■ MARKING



FLYING 汎翔國際有限公司
www.flying1688.com

■ ABSOLUTE MAXIMUM RATINGS

PARAMETER		SYMBOL	RATINGS	UNIT
Gate-Source Voltage		V_{GS}	± 20	V
Drain-Source Voltage		V_{DSS}	55	V
Drain Current	Continuous ($V_{GS}=10V$)	I_D	110	A
	Pulsed (Note 2)	I_{DM}	390	
Avalanche Current (Note 2)		I_{AR}	62	A
Avalanche Energy	Repetitive(Note 2)	E_{AR}	20	mJ
	Single Pulsed(Note 3)	E_{AS}	265	
Power Dissipation ($T_C=25^\circ C$)	TO-220/TO-263	P_D	156	W
	TO-3P		362	
	TO-247		331	W
Junction Temperature		T_J	+150	$^\circ C$
Storage Temperature		T_{STG}	-55 ~ +150	$^\circ C$

Notes: 1. Absolute maximum ratings are those values beyond which the device could be permanently damaged.

Absolute maximum ratings are stress ratings only and functional device operation is not implied.

2. Repetitive Rating : Pulse width limited by maximum junction temperature.

3. $L=0.138mH$, $I_{AS}=62A$, $V_{DD}=50V$, $R_G=25\Omega$, Starting $T_J=25^\circ C$.

■ THERMAL DATA

PARAMETER		SYMBOL	RATINGS	UNIT
Junction to Ambient	TO-220/TO-263	θ_{JA}	62.5	$^\circ C/W$
	TO-3P		30	
	TO-247		40	
Junction to Case	TO-220	θ_{JC}	0.8	$^\circ C/W$
	TO-3P		0.35	
	TO-247		0.38	
	TO-263		0.7	

■ ELECTRICAL CHARACTERISTICS (T_J = 25°C, unless otherwise specified)

PARAMETER	SYMBOL	TEST CONDITIONS	MIN	TYP	MAX	UNIT
OFF CHARACTERISTICS						
Drain-Source Breakdown Voltage	BV _{DSS}	V _{GS} =0V, I _D =250μA	55			V
Drain-Source Leakage Current	I _{DSS}	V _{DS} =55V, V _{GS} =0V			25	μA
Gate-Source Leakage Current	I _{GSS}	V _{GS} =±20V, V _{DS} =0V			±100	nA
Breakdown Voltage Temperature Coefficient	ΔBV _{DSS} /ΔT _J	Reference to 25°C, I _D =1mA		0.057		V/°C
ON CHARACTERISTICS						
Gate Threshold Voltage	V _{GS(TH)}	V _{DS} =V _{GS} , I _D =250μA	2.0		4.0	V
Static Drain-Source On-Resistance (Note)	R _{DS(ON)}	V _{GS} =10V, I _D =62A			8.0	mΩ
DYNAMIC PARAMETERS						
Input Capacitance	C _{ISS}	V _{DS} =25V, V _{GS} =0V, f=1MHz		3247		pF
Output Capacitance	C _{OSS}			781		pF
Reverse Transfer Capacitance	C _{RSS}			211		pF
SWITCHING PARAMETERS						
Total Gate Charge	Q _G	V _{DS} =44V, V _{GS} =10V, I _D =62A I _G =100μA (Note 1, 2)			146	nC
Gate Source Charge	Q _{GS}				35	nC
Gate Drain Charge	Q _{GD}				54	nC
Turn-ON Delay Time	t _{D(ON)}	V _{DS} =28V, V _{GS} =10V, I _D =62A, R _G =4.5Ω (Note 1, 2)		14		ns
Turn-ON Rise Time	t _R			101		ns
Turn-OFF Delay Time	t _{D(OFF)}			50		ns
Turn-OFF Fall-Time	t _F			65		ns
Internal Drain Inductance	L _D				4.5	
Internal Source Inductance	L _S			7.5		nH
SOURCE- DRAIN DIODE RATINGS AND CHARACTERISTICS						
Maximum Continuous Drain-Source Diode Forward Current	I _S				110	A
Maximum Pulsed Drain-Source Diode Forward Current	I _{SM}				390	A
Diode Forward Voltage	V _{SD}	I _S =62A, V _{GS} =0V			1.3	V
Body Diode Reverse Recovery Time	t _{rr}	I _F =62A, dI/dt=100A/μs (Note)		69	104	ns
Body Diode Reverse Recovery Charge	Q _{rr}			143	215	nC

Note: Pulse width ≤ 400μs; duty cycle ≤ 2%.

■ TEST CIRCUITS AND WAVEFORMS

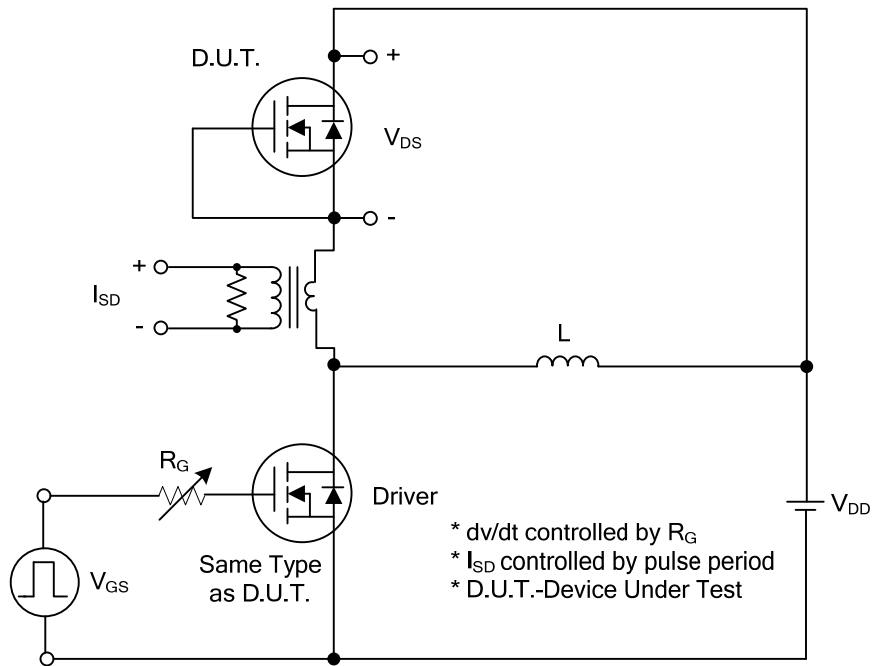


Fig. 1A Peak Diode Recovery dv/dt Test Circuit

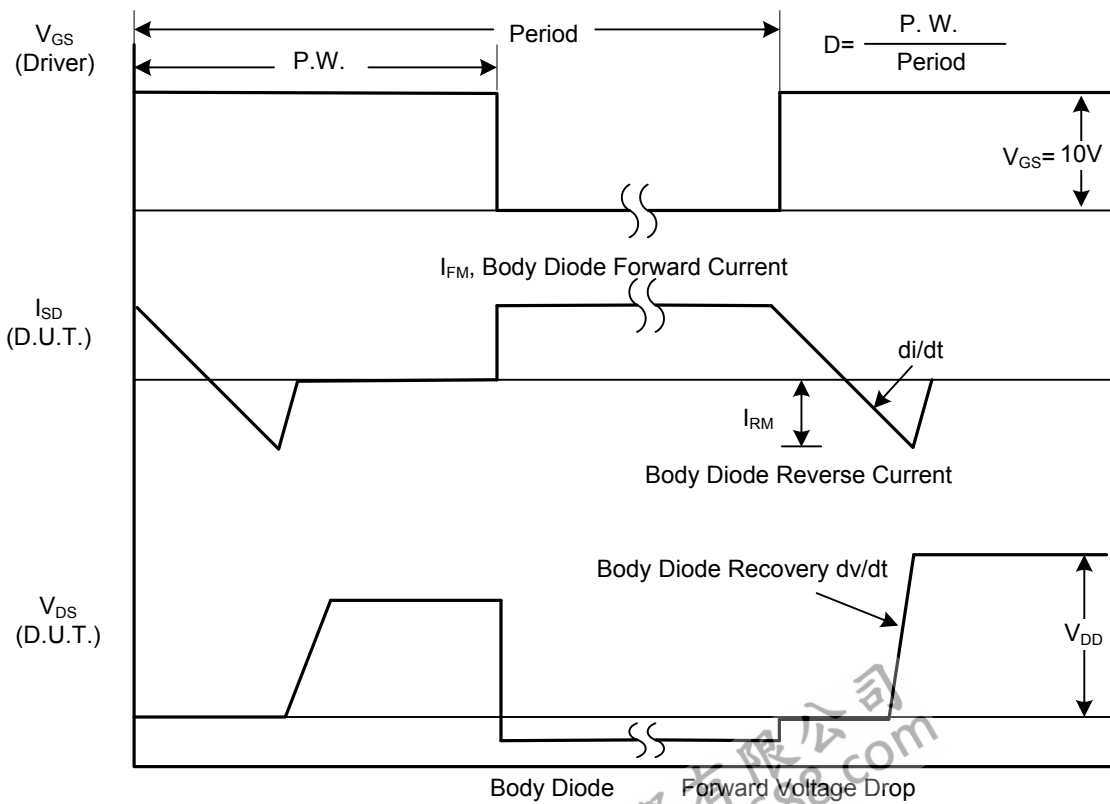
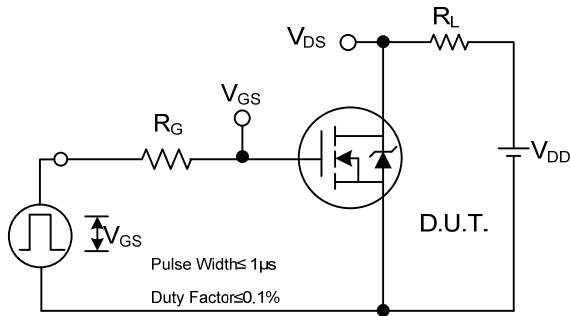
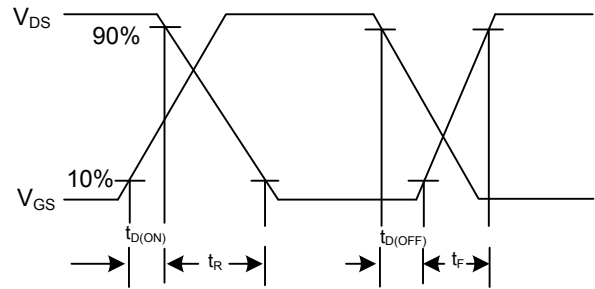


Fig. 1B Peak Diode Recovery dv/dt Waveforms

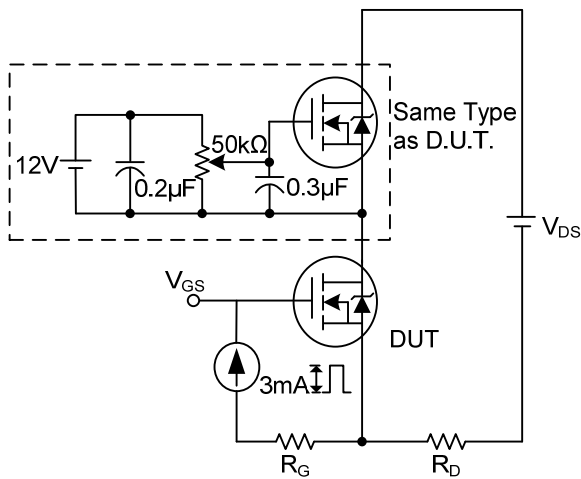
■ TEST CIRCUITS AND WAVEFORMS



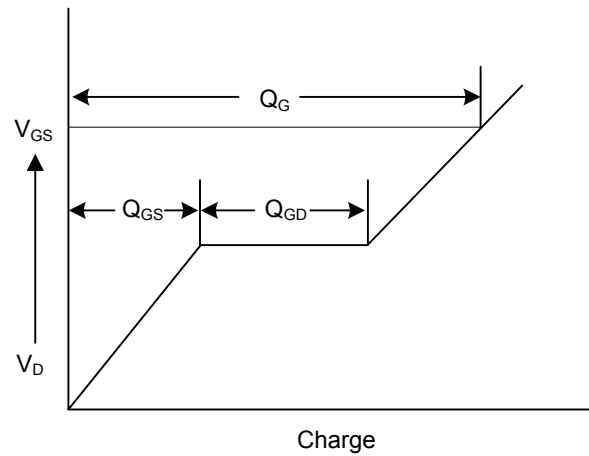
2A Switching Test Circuit



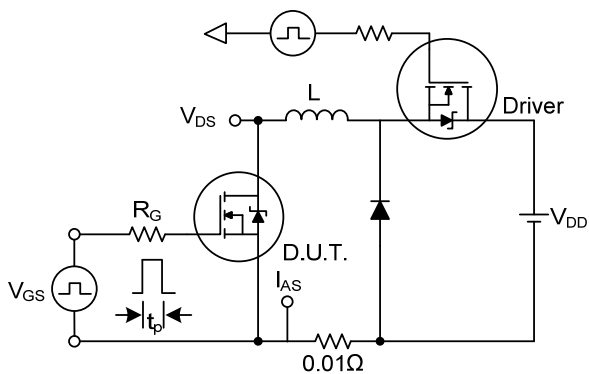
2B Switching Waveforms



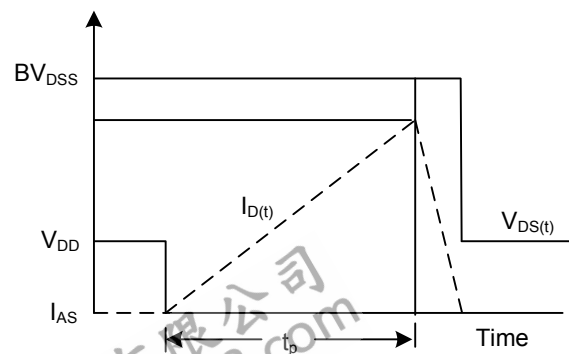
3A Gate Charge Test Circuit



3B Gate Charge Waveform

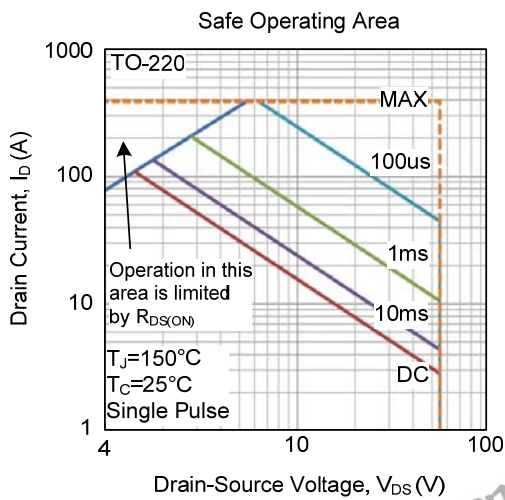
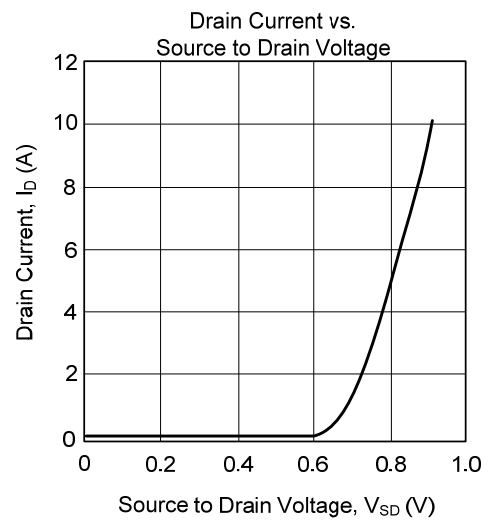
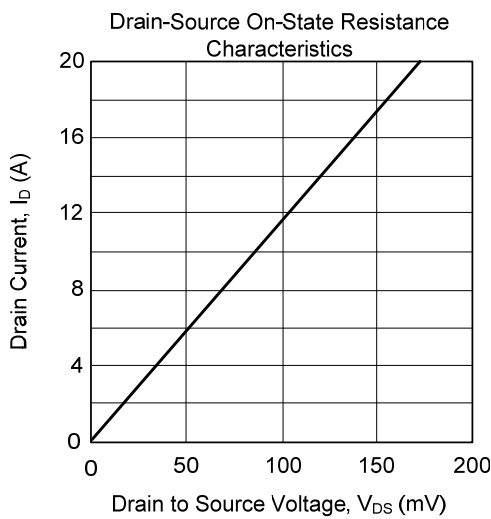
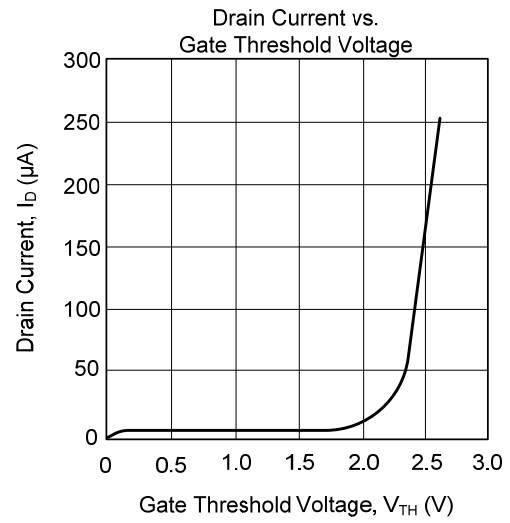
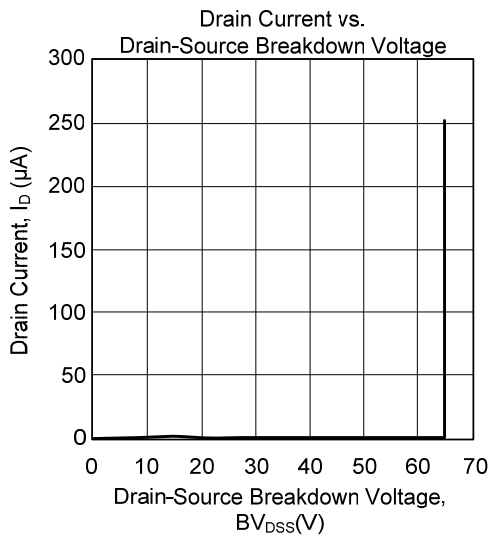


4A Unclamped Inductive Switching Test Circuit



4B Unclamped Inductive Switching Waveforms

■ TYPICAL CHARACTERISTICS



UTC assumes no responsibility for equipment failures that result from using products at values that exceed, even momentarily, rated values (such as maximum ratings, operating condition ranges, or other parameters) listed in products specifications of any and all UTC products described or contained herein. UTC products are not designed for use in life support appliances, devices or systems where malfunction of these products can be reasonably expected to result in personal injury. Reproduction in whole or in part is prohibited without the prior written consent of the copyright owner. UTC reserves the right to make changes to information published in this document, including without limitation specifications and product descriptions, at any time and without notice. This document supersedes and replaces all information supplied prior to the publication hereof.