



UF830-F

Power MOSFET

4.5A, 500V, 1.5Ω, N-CHANNEL POWER MOSFET

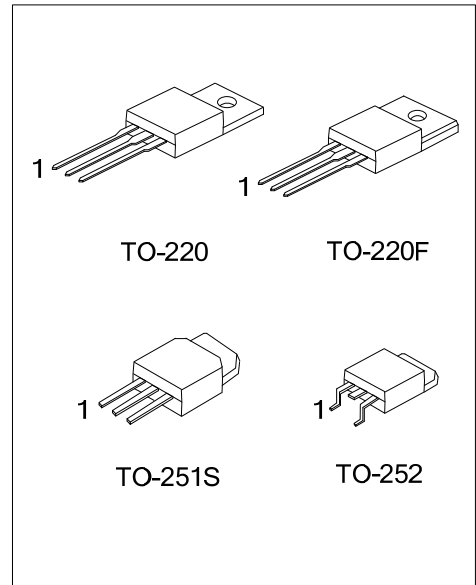
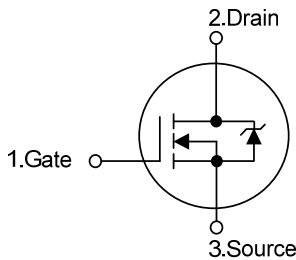
DESCRIPTION

The N-Channel enhancement mode silicon gate power MOSFET is designed for high voltage, high speed power switching applications such as switching regulators, switching converters, solenoid, motor drivers, relay drivers.

FEATURES

- * $R_{DS(ON)} < 1.5\Omega @ V_{GS}=10V, I_D=2.5A$
- * Single Pulse Avalanche Energy Rated
- * Rugged- SOA is Power Dissipation Limited
- * Fast Switching Speeds
- * Linear Transfer Characteristics
- * High Input Impedance

SYMBOL



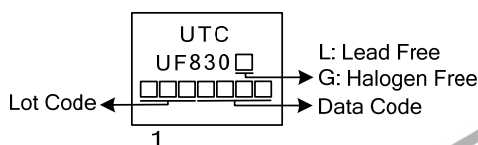
ORDERING INFORMATION

Ordering Number		Package	Pin Assignment			Packing
Lead Free	Halogen Free		1	2	3	
UF830L-TA3-T	UF830G-TA3-T	TO-220	G	D	S	Tube
UF830L-TF3-T	UF830G-TF3-T	TO-220F	G	D	S	Tube
UF830L-TMS-T	UF830G-TMS-T	TO-251S	G	D	S	Tube
UF830L-TN3-R	UF830G-TN3-R	TO-252	G	D	S	Tape Reel

Note: Pin Assignment: G: Gate D: Drain S: Source

	<p>(1) T: Tube, R: Tape Reel</p> <p>(2) TA3: TO-220, TF3: TO-220F, TMS: TO-251S TN3: TO-252</p> <p>(3) L: Lead Free, G: Halogen Free and Lead Free</p>
--	--

MARKING



■ ABSOLUTE MAXIMUM RATINGS (T_A = 25°C, Unless Otherwise Specified.)

PARAMETER		SYMBOL	RATINGS	UNIT
Drain to Source Voltage (T _J =25°C ~125°C)		V _{DS}	500	V
Drain to Gate Voltage (R _{GS} =20kΩ, T _J =25°C ~125°C)		V _{DGR}	500	V
Gate to Source Voltage		V _{GS}	±30	V
Drain Current	Continuous	I _D	4.5	A
	Pulsed	I _{DM}	18	A
Power Dissipation (T _C = 25°C)	TO-220	P _D	73	W
	TO-220F		38	W
	TO-251S/TO-252		46	W
Single Pulse Avalanche Energy Rating (Note 2)		E _{AS}	300	mJ
Junction Temperature		T _J	+150	°C
Storage Temperature		T _{STG}	-55 ~ +150	°C

Notes: 1. Absolute maximum ratings are those values beyond which the device could be permanently damaged.

Absolute maximum ratings are stress ratings only and functional device operation is not implied.

2. V_{DD}=50V, starting T_J=25°C, L=25mH, R_G=25Ω, peak I_{AS}=4.5A

■ THERMAL DATA

PARAMETER		SYMBOL	RATINGS	UNIT
Junction to Ambient	TO-220	θ _{JA}	62.5	°C/W
	TO-220F		62.5	°C/W
	TO-251S/TO-252		100.3	°C/W
Junction to Case	TO-220	θ _{JC}	1.71	°C/W
	TO-220F		3.31	°C/W
	TO-251S/TO-252		2.7	°C/W

■ ELECTRICAL SPECIFICATIONS (T_A =25°C, unless otherwise specified.)

PARAMETER	SYMBOL	TEST CONDITIONS	MIN	TYP	MAX	UNIT
Drain-Source Breakdown Voltage	BV _{DSS}	I _D =250μA, V _{GS} =0V	500			V
Gate Threshold Voltage	V _{GS(TH)}	V _{GS} =V _{DS} , I _D =250μA	2.0		4.0	V
On-State Drain Current (Note 1)	I _{D(ON)}	V _{DS} >I _{D(ON)} ×R _{DS(ON)MAX} , V _{GS} =10V	4.5			A
Drain-Source Leakage Current	I _{DSS}	V _{DS} = Rated BV _{DSS} , V _{GS} =0V			25	μA
		V _{DS} =0.8×Rated BV _{DSS} V _{GS} =0V, T _J = 125°C			250	μA
Gate-Source Leakage Current	I _{GSS}	V _{GS} =±30V			±100	nA
Static Drain-Source On-State Resistance	R _{DS(ON)}	I _D =2.5A, V _{GS} =10V (Note 2)		1.1	1.5	Ω
Forward Transconductance (Note 1)	g _{FS}	V _{DS} ≥10V, I _D =2.7A	2.5	4.2		S
Turn-On Delay Time	t _{D(ON)}	V _{DD} =30V, I _D ≈ 0.5A R _{GS} =25Ω		38	60	ns
Turn-On Rise Time	t _R			36	50	ns
Turn-Off Delay Time	t _{D(OFF)}			155	170	ns
Turn-Off Fall Time	t _F			70	90	ns

Notes: 1. Pulse Test: Pulse width≤300μs, Duty Cycle≤2%.

2. MOSFET Switching Times are Essentially Independent of Operating Temperature.

3. Gate Charge is Essentially Independent of Operating Temperature.

■ ELECTRICAL SPECIFICATIONS(Cont.) (T_A =25°C, unless otherwise specified.)

PARAMETER	SYMBOL	TEST CONDITIONS	MIN	TYP	MAX	UNIT
Total Gate Charge	Q _G	V _{GS} =10V, I _D =1.3A		21	30	nC
Gate-Source Charge	Q _{GS}	V _{DS} =0.8×Rated BV _{DSS}		5.2		nC
Gate-Drain Charge	Q _{GD}	I _{G(REF)} =100μA (Note 3)		5.6		nC
Input Capacitance	C _{ISS}	V _{DS} =25V, V _{GS} =0V, f=1.0MHz		600		pF
Output Capacitance	C _{OSS}			78		pF
Reverse Transfer Capacitance	C _{RSS}			15		pF

Notes: 1. Pulse Test: Pulse width≤300μs, Duty Cycle≤2%.

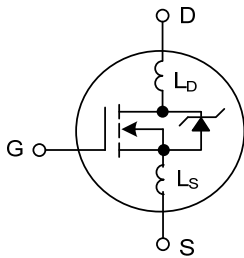
2. MOSFET Switching Times are Essentially Independent of Operating Temperature.

3. Gate Charge is Essentially Independent of Operating Temperature.

■ INTERNAL PACKAGE INDUCTANCE

PARAMETER	SYMBOL	MIN	TYP	MAX	UNIT
Internal Drain Inductance					
Measured from the contact screw on tab to center of die	L _D		3.5		nH
Measured from the drain lead(6mm from package) to center of die			4.5		nH
Internal Source Inductance					
Measured from the source lead(6mm from header) to source bond pad	L _S		7.5		nH

Remark: Modified MOSFET symbol showing the internal devices inductances as below.

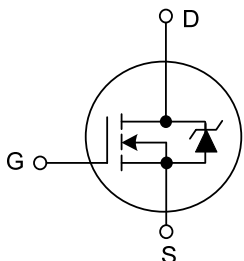


■ SOURCE TO DRAIN DIODE SPECIFICATIONS

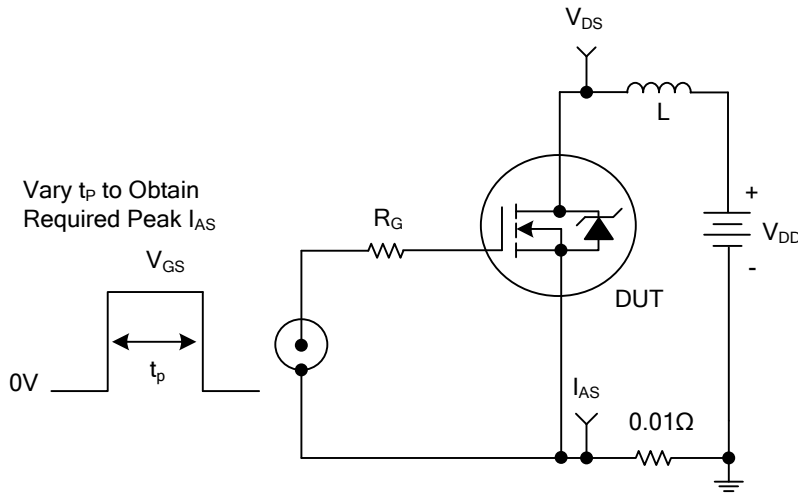
PARAMETER	SYMBOL	TEST CONDITIONS	MIN	TYP	MAX	UNIT
Source to Drain Diode Voltage	V _{SD}	T _J =25°C, I _{SD} =4.5A, V _{GS} =0V(Note 1)			1.6	V
Continuous Source to Drain Current	I _{SD}	Note 2			5.5	A
Pulse Source to Drain Current	I _{SDM}				18	A
Reverse Recovery Time	t _{rr}	T _J =25°C, I _{SD} =4.5A, dI/dt=100A/μs	180	350	760	ns
Reverse Recovery Charge	Q _{RR}	T _J =25°C, I _{SD} =4.5A, dI/dt=100A/μs	0.96	2.2	4.3	μC

Notes: 1. Pulse Test: Pulse width≤300μs, Duty Cycle≤2%.

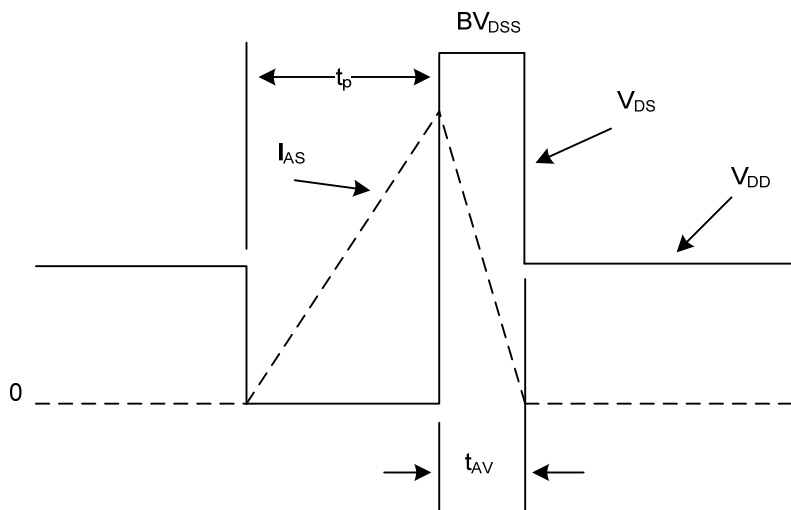
2. Modified MOSFET symbol showing the integral reverse P-N junction diode as below.



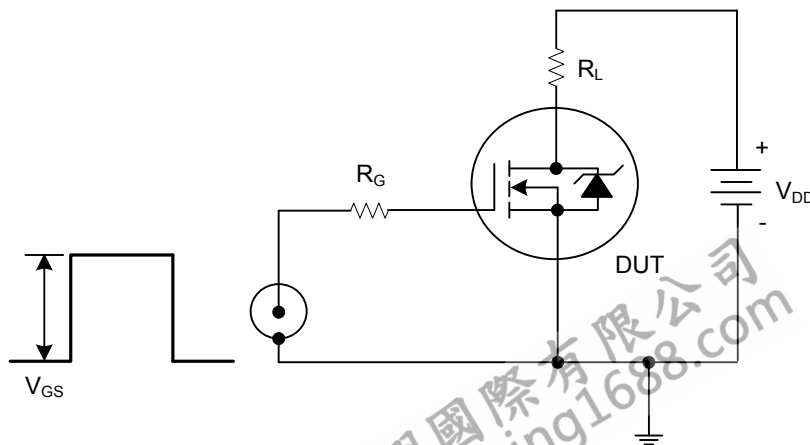
■ TEST CIRCUITS AND WAVEFORMS



Unclamped Energy Test Circuit

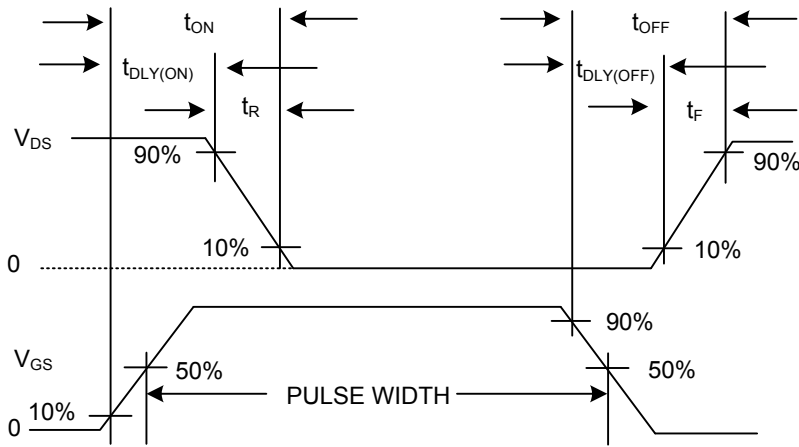


Unclamped Energy Waveforms

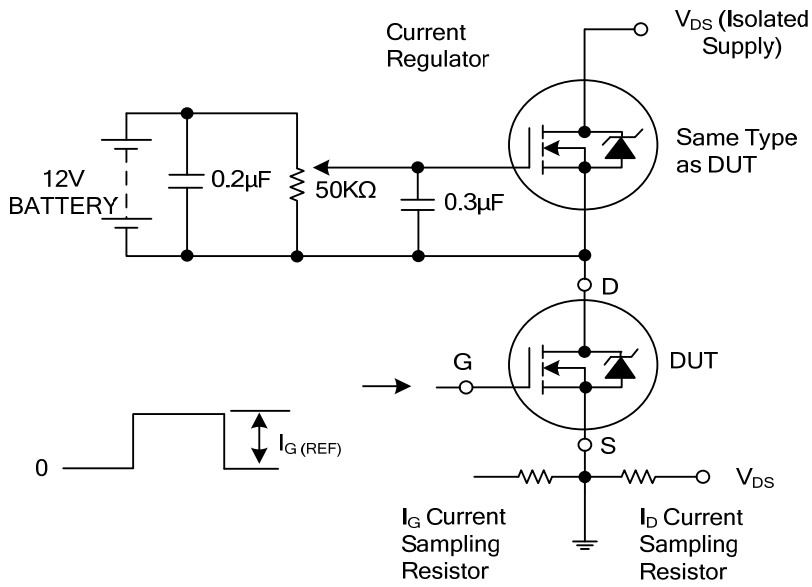


Switching Time Test Circuit

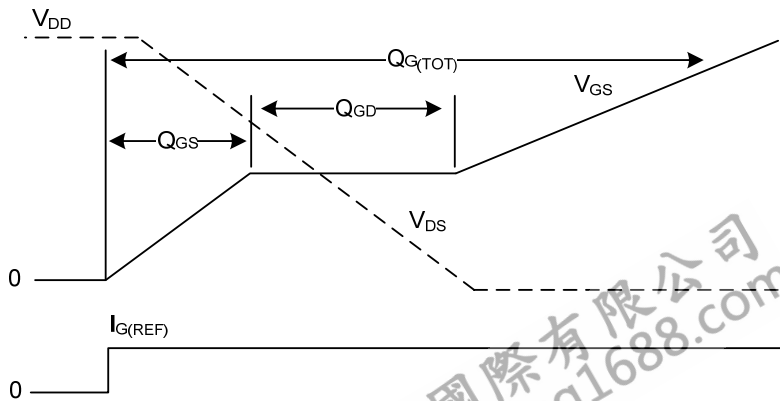
■ TEST CIRCUITS AND WAVEFORMS (Cont.)



Resistive Switching Waveforms



Gate Charge Test Circuit



Gate Charge Waveforms

UTC assumes no responsibility for equipment failures that result from using products at values that exceed, even momentarily, rated values (such as maximum ratings, operating condition ranges, or other parameters) listed in products specifications of any and all UTC products described or contained herein. UTC products are not designed for use in life support appliances, devices or systems where malfunction of these products can be reasonably expected to result in personal injury. Reproduction in whole or in part is prohibited without the prior written consent of the copyright owner. The information presented in this document does not form part of any quotation or contract, is believed to be accurate and reliable and may be changed without notice.