



UF9Z24

Power MOSFET

12A, 55V P-CHANNEL POWER MOSFET

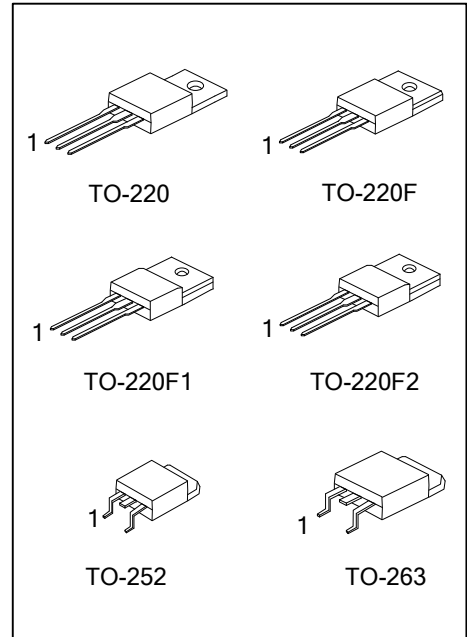
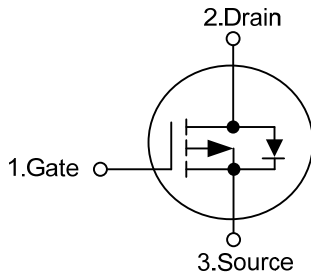
DESCRIPTION

The UTC **UF9Z24** is a P-channel power MOSFET using UTC's advanced technology to provide the customers with high switching speed, cost-effectiveness and minimum on-state resistance. It can also withstand high energy in the avalanche.

FEATURES

- * $R_{DS(ON)} < 175m\Omega$ @ $V_{GS} = -10V, I_D = -12A$
- * High Switching Speed

SYMBOL



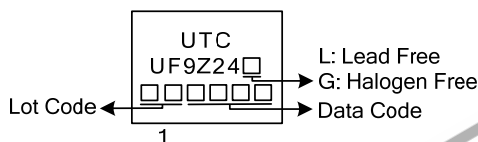
ORDERING INFORMATION

Ordering Number		Package	Pin Assignment			Packing
Lead Free	Halogen Free		1	2	3	
UF9Z24L-TA3-T	UF9Z24G-TA3-T	TO-220	G	D	S	Tube
UF9Z24L-TF3-T	UF9Z24G-TF3-T	TO-220F	G	D	S	Tube
UF9Z24L-TF1-T	UF9Z24G-TF1-T	TO-220F1	G	D	S	Tube
UF9Z24L-TF2-T	UF9Z24G-TF2-T	TO-220F2	G	D	S	Tube
UF9Z24L-TN3-R	UF9Z24G-TN3-R	TO-252	G	D	S	Tape Reel
UF9Z24L-TQ2-T	UF9Z24G-TQ2-T	TO-263	G	D	S	Tube
UF9Z24L-TQ2-R	UF9Z24G-TQ2-R	TO-263	G	D	S	Tape Reel

Note: Pin Assignment: G: Gate D: Drain S: Source

<p>UF9Z24L-TA3-T</p> <p>(1) Packing Type</p> <p>(2) Package Type</p> <p>(3) Green Package</p>	<p>(1) T: Tube, R: Tape Reel</p> <p>(2) TA3: TO-220, TF3: TO-220F, TF1: TO-220F1, TF2: TO-220F2, TN3: TO-252, TQ2: TO-263</p> <p>(3) L: Lead Free, G: Halogen Free and Lead Free</p>
---	--

MARKING



■ ABSOLUTE MAXIMUM RATINGS ($T_A=25^{\circ}\text{C}$, unless otherwise specified)

PARAMETER		SYMBOL	RATINGS	UNIT
Drain-Source Voltage		V_{DSS}	-55	V
Gate-Source Voltage		V_{GSS}	± 20	V
Drain Current	Continuous $T_C=25^{\circ}\text{C}$	I_D	-12	A
	Pulsed	I_{DM}	-48	A
Single Pulsed Avalanche Current (L=0.1mH)		I_{AS}	-7.2	A
Single Pulsed Avalanche Energy (L=0.1mH)(Note 1)		E_{AS}	96	mJ
Power Dissipation	TO-220/TO-263	P_D	38	W
	TO-220F/TO-220F1		23	W
	TO-220F2		25	W
	TO-252		27	W
Junction Temperature		T_J	+150	$^{\circ}\text{C}$
Storage Temperature		T_{STG}	-55~+150	$^{\circ}\text{C}$

Note: Absolute maximum ratings are those values beyond which the device could be permanently damaged.
 Absolute maximum ratings are stress ratings only and functional device operation is not implied.

■ THERMAL DATA

PARAMETER		SYMBOL	RATINGS	UNIT
Junction to Ambient	TO-220/TO-220F TO-220F1/TO-220F2 TO-263	θ_{JA}	62	$^{\circ}\text{C/W}$
	TO-252		110	$^{\circ}\text{C/W}$
	Junction to Case			
Junction to Case	TO-220/TO-263	θ_{JC}	3.3	$^{\circ}\text{C/W}$
	TO-220F/TO-220F1		5.5	$^{\circ}\text{C/W}$
	TO-220F2		5	$^{\circ}\text{C/W}$
	TO-252		4.6	$^{\circ}\text{C/W}$

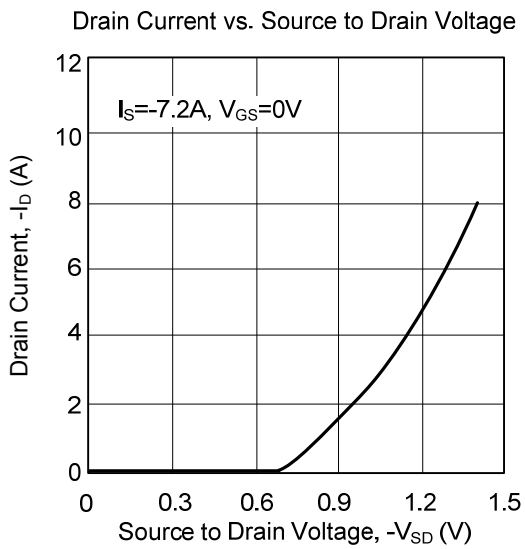
Notes: 1. Duty cycle $\leq 1\%$.

■ ELECTRICAL CHARACTERISTICS ($T_C=25^\circ\text{C}$, unless otherwise specified)

PARAMETER	SYMBOL	TEST CONDITIONS	MIN	TYP	MAX	UNIT
OFF CHARACTERISTICS						
Drain-Source Breakdown Voltage	BV_{DSS}	$I_D=-250\mu\text{A}$, $V_{GS}=0\text{V}$	-55			V
Drain-Source Leakage Current	I_{DSS}	$V_{DS}=-55\text{V}$, $V_{GS}=0\text{V}$			-25	μA
Gate-Source Leakage Current	Forward	$V_{GS}=+20\text{V}$			+100	nA
	Reverse	$V_{GS}=-20\text{V}$			-100	nA
ON CHARACTERISTICS						
Gate Threshold Voltage	$V_{GS(TH)}$	$V_{DS}=V_{GS}$, $I_D=-250\mu\text{A}$	-2.0		-4.0	V
Static Drain-Source On-State Resistance	$R_{DS(ON)}$	$V_{GS}=-10\text{V}$, $I_D=-12\text{A}$ (Note 1)			0.175	Ω
On State Drain Current (Note 1)	$I_{D(ON)}$	$V_{GS}=-10\text{V}$, $V_{DS}=-5\text{V}$	-12			A
DYNAMIC PARAMETERS (Note 2)						
Input Capacitance	C_{ISS}	$V_{GS}=0\text{V}$, $V_{DS}=-25\text{V}$, $f=1.0\text{MHz}$ (Note 2)		350		pF
Output Capacitance	C_{OSS}			170		pF
Reverse Transfer Capacitance	C_{RSS}			92		pF
SWITCHING PARAMETERS						
Total Gate Charge	Q_G	$V_{GS}=-10\text{V}$, $V_{DS}=-44\text{V}$, $I_D=-7.2\text{A}$ (Note 3)		52		nC
Gate to Source Charge	Q_{GS}			6.6		nC
Gate to Drain Charge	Q_{GD}			12		nC
Turn-ON Delay Time	$t_{D(ON)}$	$V_{DD}=-28\text{V}$, $I_D=-7.2\text{A}$, $R_G=24\Omega$, $R_D=3.7\Omega$ (Note 3)		13		ns
Rise Time	t_R			55		ns
Turn-OFF Delay Time	$t_{D(OFF)}$			23		ns
Fall-Time	t_F			37		ns
SOURCE- DRAIN DIODE RATINGS AND CHARACTERISTICS (Note 2)						
Maximum Body-Diode Continuous Current	I_S				-12	A
Maximum Body-Diode Pulsed Current	I_{SM}				-48	A
Drain-Source Diode Forward Voltage	V_{SD}	$I_F=-12\text{A}$, $V_{GS}=0\text{V}$ (Note 1)			-1.6	V

- Notes: 1. Pulse test; pulse width $\leq 300\ \mu\text{s}$, duty cycle $\leq 2\%$.
 2. Guaranteed by design, not subject to production testing.
 3. Independent of operating temperature.

■ TYPICAL CHARACTERISTICS



UTC assumes no responsibility for equipment failures that result from using products at values that exceed, even momentarily, rated values (such as maximum ratings, operating condition ranges, or other parameters) listed in products specifications of any and all UTC products described or contained herein. UTC products are not designed for use in life support appliances, devices or systems where malfunction of these products can be reasonably expected to result in personal injury. Reproduction in whole or in part is prohibited without the prior written consent of the copyright owner. The information presented in this document does not form part of any quotation or contract, is believed to be accurate and reliable and may be changed without notice.