



## UL23EB

Preliminary

CMOS IC

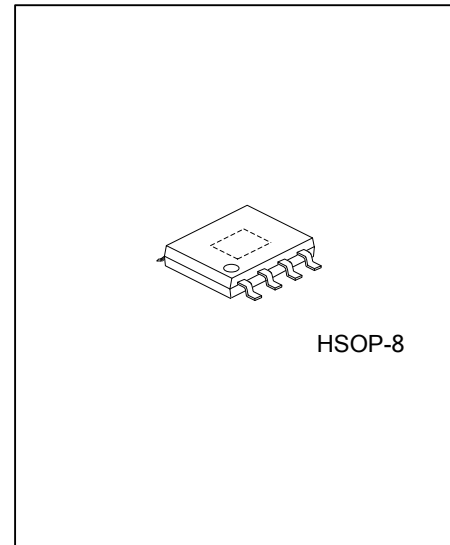
### HIGH ACCURACY LINEAR CONSTANT CURRENT LED DRIVER

#### DESCRIPTION

The **UL23EB** is a linear constant current IC that supports the adjust brightness or color temperature in 3 grades. The application scheme is simple and the cost is low.

In the dimming application of **UL23EB**, User can change the size of the output current by turn on/off the power switch, that adjust brightness of LED lights. Changing the REXT external resistance Adjustment of brightness ratio.

In the adjust color temperature application of **UL23EB**, User can change the state of the two output ports by turn on/off the power switch, that adjust the color temperature through the light of two different colored LED lights. Changing the REXT external resistance can adjustment the output power.



HSOP-8

#### FEATURES

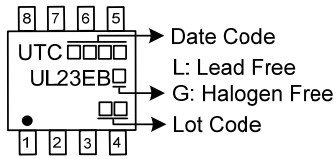
- \* No stroboscopic
- \* Input voltage 220VAC,110VAC
- \* Adjustable output current, max 60mA
- \* Inter-chip current deviation <math>\lt; \pm 4\%</math>
- \* Application system no EMI problems
- \* Over temperature Reduced Current
- \* Supports the adjust brightness in 3 grades
- \* Supports the adjust color temperature in 3 grades
- \* Effectively switching time from 0.3S ~ 3S

#### ORDERING INFORMATION

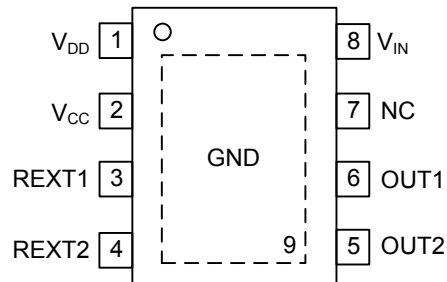
Ordering Number		Package	Packing
Lead Free	Halogen Free		
UL23EBL-SH2-R	UL23EBG-SH2-R	HSOP-8	Tape Reel

<p>UL23EBG-SH2-R</p> <ul style="list-style-type: none"> <li>(1) Packing Type</li> <li>(2) Package Type</li> <li>(3) Green Package</li> </ul>	<ul style="list-style-type: none"> <li>(1) R: Tape Reel</li> <li>(2) SH2: HSOP-8</li> <li>(3) G: Halogen Free and Lead Free, L: Lead Free</li> </ul>
----------------------------------------------------------------------------------------------------------------------------------------------	------------------------------------------------------------------------------------------------------------------------------------------------------

## MARKING



## PIN CONFIGURATION



## PIN DESCRIPTION

PIN NO.	PIN NAME	DESCRIPTION
1	V <sub>DD</sub>	Analog circuit power port
2	V <sub>CC</sub>	Digital circuit power port
3	REXT1	Output Current Setting Pin 1.
4	REXT2	Output Current Setting Pin 2.
5	OUT2	Constant flow output port 2
6	OUT1	Constant flow output port 1
7	NC	No connect
8	V <sub>IN</sub>	Power input port
9	GND	Ground

### ■ ABSOLUTE MAXIMUM RATING

PARAMETER	SYMBOL	RATINGS	UNIT
OUT Pin Voltage	$V_{OUT1}/V_{OUT2}$	-0.5 ~ 500	V
OUT Pin Current	$I_{OUT}$	5 ~ 60	mA
$V_{IN}$ Pin Voltage	$V_{IN}$	-0.5 ~ 500	V
REXT Pin Voltage	$V_{REXT1}/V_{REXT2}$	-0.5 ~ 8	V
$V_{DD}$ Pin Voltage	$V_{DD}$	-0.5 ~ 8	V
$V_{CC}$ Pin Voltage	$V_{CC}$	-0.5 ~ 8	V
Working temperature	$T_{OPR}$	-40 ~ +150	°C
Storage temperature	$T_{STQ}$	-50 ~ +150	°C

Note: Absolute maximum ratings are those values beyond which the device could be permanently damaged. Absolute maximum ratings are stress ratings only and functional device operation is not implied.

### ■ ELECTRICAL CHARACTERISTICS

PARAMETER	SYMBOL	TEST CONDITIONS	MIN	TYP	MAX	UNIT
Power of IC Pin Voltage	$V_{DD}/V_{CC}$			6.8		V
OUT Pin Voltage	$V_{OUT1}/V_{OUT2}$	$I_{OUT}=30mA$	2.5			V
OUT Pin Withstanding Voltage	$V_{DS-BV}$	$I_{OUT}=0$	500			V
Output Current	$I_{OUT1}/I_{OUT2}$		5		60	mA
Quiescent Current	$I_Q$	$V_{OUT}=10V$ REXT No Collection		0.16	0.25	mA
REXT Pin Voltage	$V_{REXT1}/V_{REXT2}$	$V_{IN}=20V, V_{OUT1}=V_{OUT2}=10V$		0.6/0.3		V
Output Current Accuracy	$D_{IOUT}$	$I_{OUT}=5\sim 60mA$		$\pm 4$		%
Temperature Compensate Point	$T_{SC}$			130		°C

■ TYPICAL APPLICATION CIRCUIT

The **UL23EB** is a linear constant current IC that supports the adjust brightness or color temperature in 3 grades. The output current can be adjusted from 5mA to 60mA, and constant current accuracy up to ± 4%.

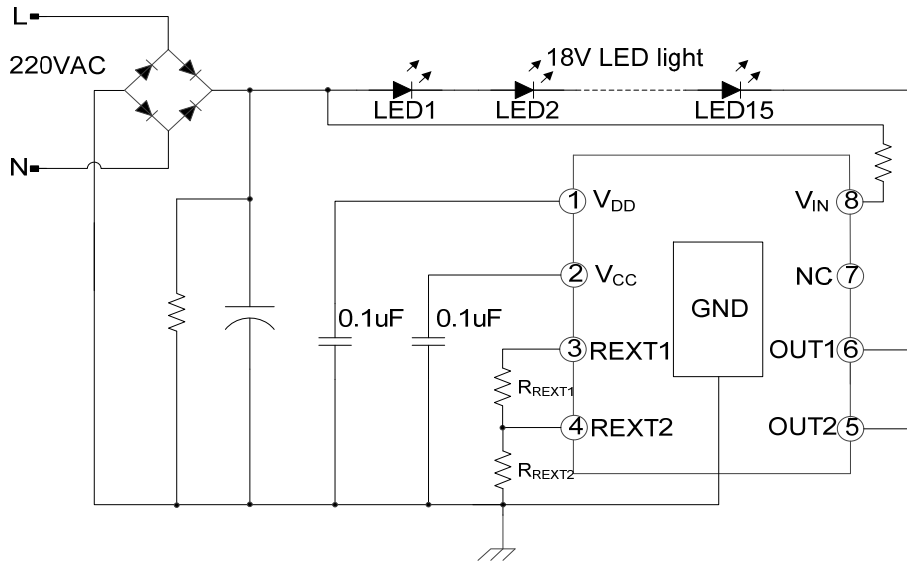
In the Adjust Brightness Mode application of **UL23EB**, User can change the size of the output current by turn on/off the power switch, that adjust brightness of LED lights. Changing the REXT external resistance Adjustment of brightness ratio.

Open the switch for the 1st time, during constant current:  $I_1 = \frac{0.6}{R_{REXT2}}$

Open the switch for the 2nd time, during constant current:  $I_2 = \frac{0.3}{R_{REXT2}}$

Open the switch for the 3rd time, during constant current:  $I_3 = \frac{0.6}{R_{REXT1} + R_{REXT2}}$

The dimming ratio is 100%, 50%, X%,  $X\% = \frac{R_{REXT2}}{R_{REXT1} + R_{REXT2}}$



Adjust Brightness Mode

Typical Applications:  $R_{REXT1}=180\Omega$ ,  $R_{REXT2}=20\Omega$ ,  $0.3S < \text{Switching Period} < 3S$   
 Open the switch for the 1st time,  $I_{OUT}=30mA$ ;  
 Open the switch for the 2nd time,  $I_{OUT}=15mA$ ;  
 Open the switch for the 3rd time,  $I_{OUT}=3mA$ ;  
 The dimming ratio is 100%, 50%, 10%  
 When the switching period > 3S, System reset.

■ TYPICAL APPLICATION CIRCUIT (Cont.)

The **UL23EB** is a linear constant current IC that supports the adjust brightness or color temperature in 3 grades. The output current can be adjusted from 5mA to 60mA, and constant current accuracy up to ± 4%.

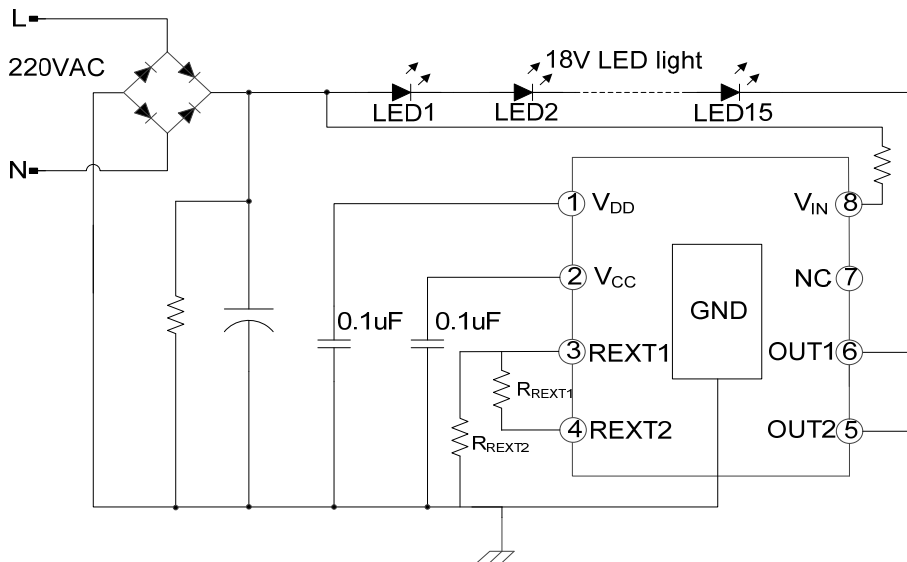
In the Adjust Brightness Mode application of **UL23EB**, User can change the size of the output current by turn on/off the power switch, that adjust brightness of LED lights. Changing the REXT external resistance Adjustment of brightness ratio.

Open the switch for the 1st time, during constant current:  $I_1 = \frac{0.6}{R_{REXT1} + R_{REXT2}}$

Open the switch for the 2nd time, during constant current:  $I_2 = \frac{0.3}{R_{REXT2}}$

Open the switch for the 3rd time, during constant current:  $I_3 = \frac{0.6}{R_{REXT2}}$

The dimming ratio is 100%, 50%, X%,  $X\% = \frac{R_{REXT2}}{R_{REXT1} + R_{REXT2}}$



Adjust Brightness Mode

Typical Applications:  $R_{REXT1} = 180\Omega$ ,  $R_{REXT2} = 20\Omega$ ,  $0.3S < \text{Switching Period} < 3S$

Open the switch for the 1st time,  $I_{OUT2} = 3mA$ ;

Open the switch for the 2nd time,  $I_{OUT1} = 15mA$ ;

Open the switch for the 3rd time,  $I_{OUT1} = 30mA$ ;

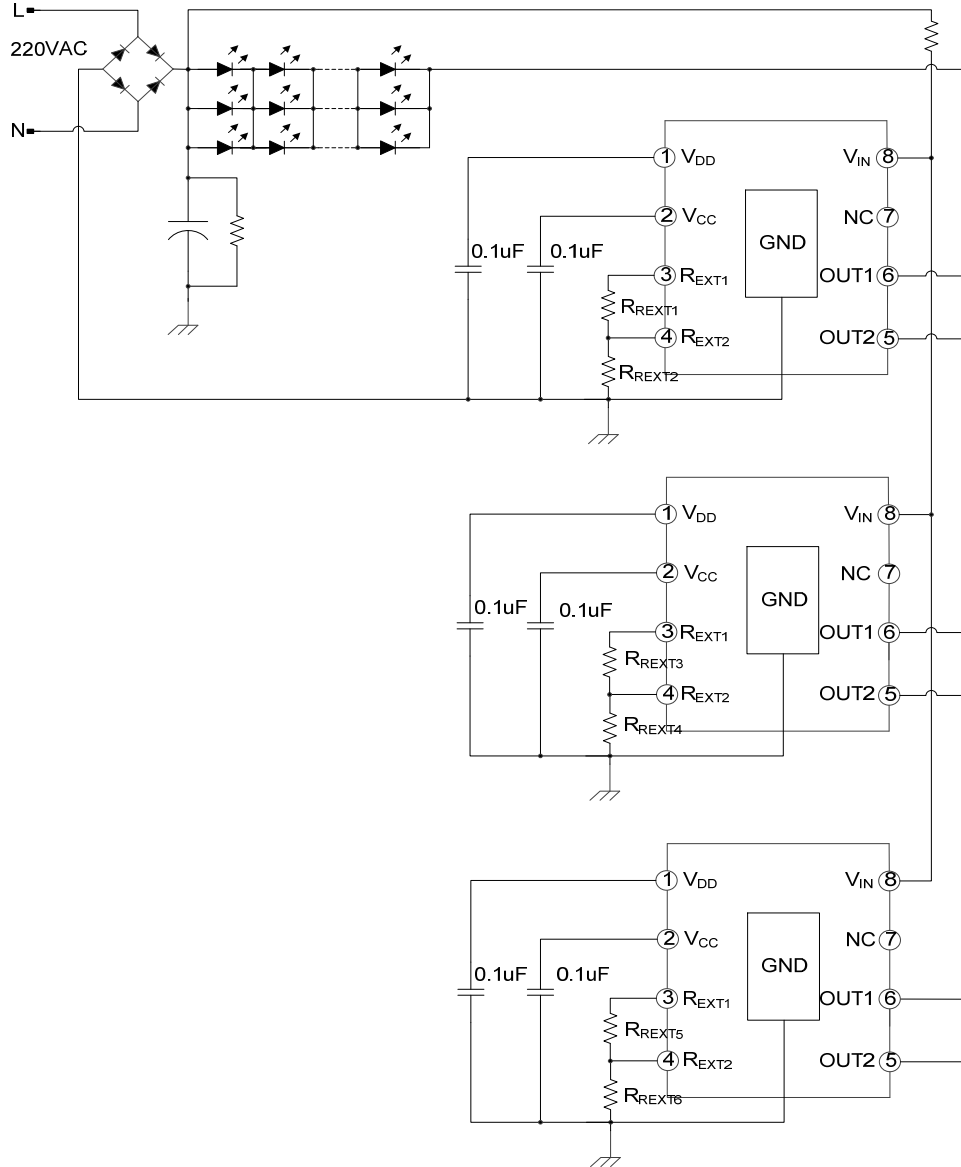
The dimming ratio is 10%, 50%, 100%

When the switching period > 3S, System reset.



■ MULTIPLE IC PARALLEL SCHEMES

UL23EB support multiple IC parallel schemes, If the output power is too large that the IC over temperature, Multiple IC parallel schemes can be adopted.



Typical Applications:  $R_{EXT1}=R_{EXT3}=R_{EXT5}=180\Omega$ ,  $R_{EXT2}=R_{EXT4}=R_{EXT6}=20\Omega$ ,  $0.3S < \text{Switching Period} < 3S$ ;  
 Open the switch for the 1st time,  $I_{OUT}=90mA$ ;  
 Open the switch for the 2nd time,  $I_{OUT}=45mA$ ;  
 Open the switch for the 3rd time,  $I_{OUT}=9mA$ ;  
 The dimming ratio is 100%, 50%, 10%  
 When the switching period  $> 3S$ , System reset.

UTC assumes no responsibility for equipment failures that result from using products at values that exceed, even momentarily, rated values (such as maximum ratings, operating condition ranges, or other parameters) listed in products specifications of any and all UTC products described or contained herein. UTC products are not designed for use in life support appliances, devices or systems where malfunction of these products can be reasonably expected to result in personal injury. Reproduction in whole or in part is prohibited without the prior written consent of the copyright owner. UTC reserves the right to make changes to information published in this document, including without limitation specifications and product descriptions, at any time and without notice. This document supersedes and replaces all information supplied prior to the publication hereof.