



UL26B

Advance

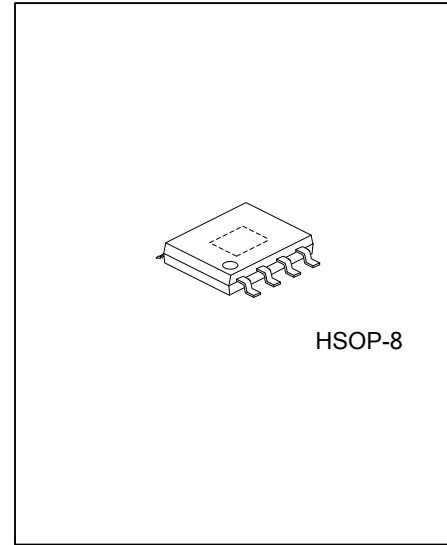
CMOS IC

LED CONTROLLER

DESCRIPTION

Featured Device, UTC **UL26B**, is a led lighting controller with innovative technology. The controller can work in high voltage.

UTC **UL26B** provides several features such as over-temperature-protection (OTP).



HSOP-8

FEATURES

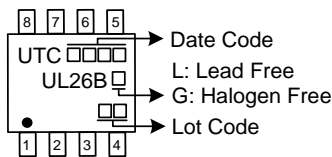
- * Input voltage 110Vac/220Vac
- * PF > 0.9
- *THD <10%
- *OTP

ORDERING INFORMATION

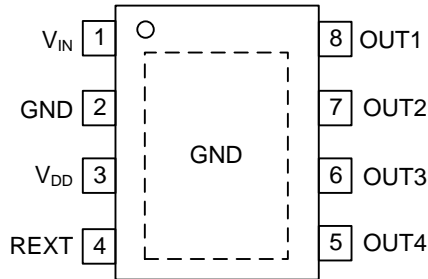
Ordering Number		Package	Packing
Lead Free	Halogen Free		
UL26BG-SH2-R	UL26BG-SH2-R	HSOP-8	Tape Reel

<p>UL26BG-SH2-R</p> <ul style="list-style-type: none"> (1) Packing Type (2) Package Type (3) Green Package 	<ul style="list-style-type: none"> (1) R: Tape Reel (2) SH2: HSOP-8 (3) G: Halogen Free and Lead Free, L: Lead Free
---	--

MARKING



■ PIN CONFIGURATION

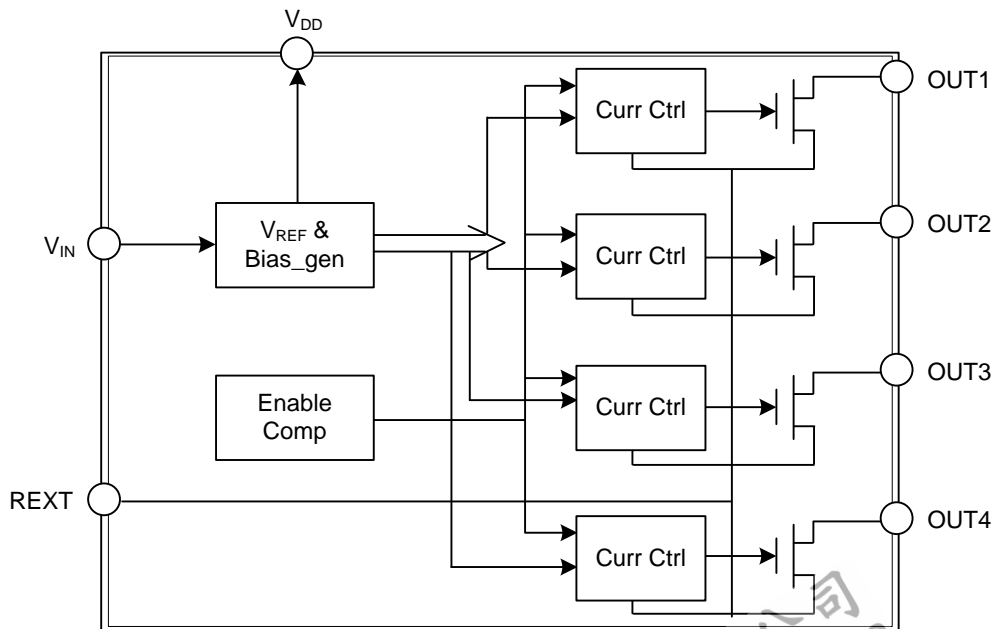


■ PIN DESCRIPTION

PIN NO.	PIN NAME	I/O (Note 1)	DESCRIPTION
1	V _{IN}	Power	Power supply
2	GND	Ground	Power ground
3	V _{DD}	Power	Power supply
4	REXT	I	Input for controlling led currents
5	OUT4	O	Output port 4
6	OUT3	O	Output port 3
7	OUT2	O	Output port 2
8	OUT1	O	Output port 1

Note: I=Input, O=Output

■ BLOCK DIAGRAM



■ ABSOLUTE MAXIMUM RATING

PARAMETER	SYMBOL	RATINGS	UNIT
Voltage of output ports	V_{OUT}	-0.3 ~ 500	V
Current of output ports	I_{OUT}	1 ~60	mA
ESD voltage in HBM	V_{ESD}	>2	KV
Maximum Operating Junction Temperature	T_J	+150	°C
Storage Temperature	T_{STG}	-55 ~ +150	°C

Note: Absolute maximum ratings are those values beyond which the device could be permanently damaged.
Absolute maximum ratings are stress ratings only and functional device operation is not implied.

■ RECOMMENDED OPERATING RANGE

PARAMETER	SYMBOL	RATINGS	UNIT
Operation Ambient Temperature	T_A	-40 ~ +85	°C

■ THERMAL DATA

PARAMETER	SYMBOL	RATINGS	UNIT
Junction to Ambient	θ_{JA}	50	°C/W

■ ELECTRICAL CHARACTERISTICS ($T_A=25^\circ\text{C}$ unless otherwise specified)

PARAMETER	SYMBOL	TEST CONDITIONS	MIN	TYP	MAX	UNIT
High Voltage						
Breakdown voltage of output ports	V_{OUT_BV}		500			V
Current of output ports	I_{OUT}				60	mA
Static current of power supply	I_{VDD}			0.4	0.5	mA
Voltage for current setting	V_{REXT}			0.9		V
Variation of output currents	$D_{I_{OUT}}$			+/- 5		%
Protection						
Temperature starting OTP	T_{OTP}			110		°C

■ FUNCTIONAL DESCRIPTION

Refer to both the Block Diagram in Figure 1 and a reference design circuit in Figure 4 for the following discussions. All parameters mentioned below are typical values.

UL26B is a linear led lighting controller with low THD and high PF.

Output currents Setting

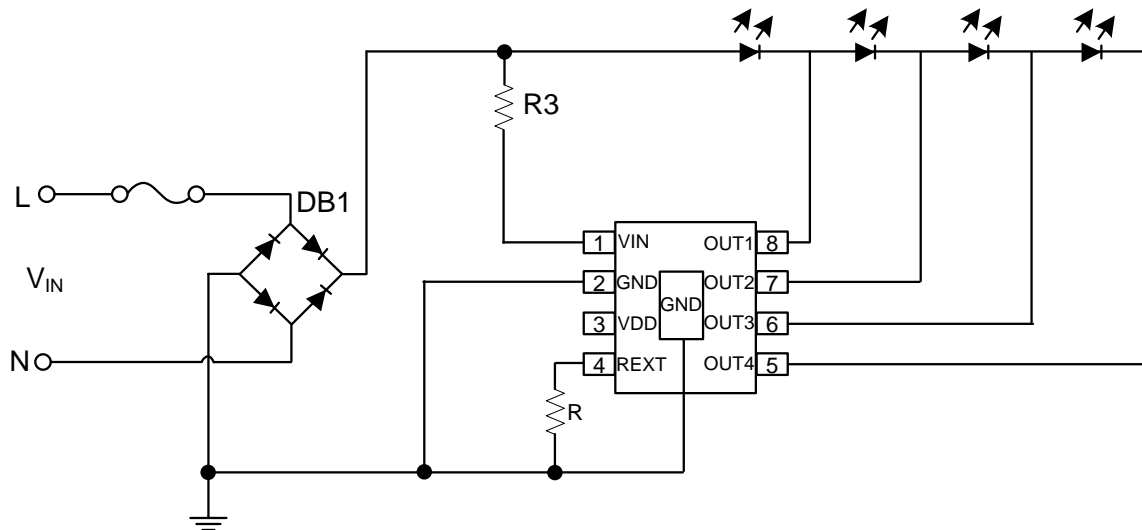
Output currents can be set by a resistor in REXT pin. Reference voltage in the chip is 0.9V. The output current can be calculated by

$$I_{OUT}=0.9/R$$

OTP

Over-temperature-protection is included in chip. When temperature of PN junction is over the pre-set value OTP starts. Output currents are reduced and power dissipation is also reduced.

■ TYPICAL APPLICATION CIRCUIT



UTC assumes no responsibility for equipment failures that result from using products at values that exceed, even momentarily, rated values (such as maximum ratings, operating condition ranges, or other parameters) listed in products specifications of any and all UTC products described or contained herein. UTC products are not designed for use in life support appliances, devices or systems where malfunction of these products can be reasonably expected to result in personal injury. Reproduction in whole or in part is prohibited without the prior written consent of the copyright owner. UTC reserves the right to make changes to information published in this document, including without limitation specifications and product descriptions, at any time and without notice. This document supersedes and replaces all information supplied prior to the publication hereof.