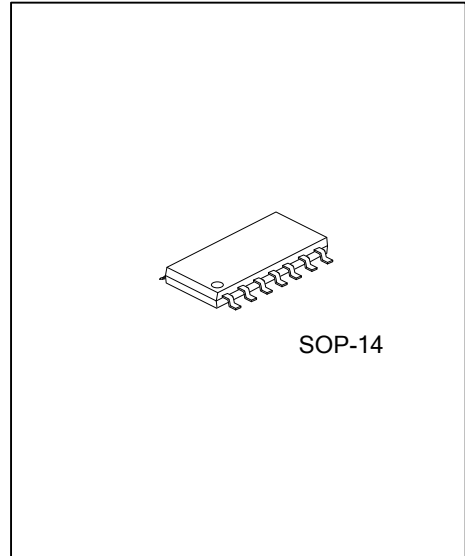




ULN202L05

LINEAR INTEGRATED CIRCUIT

4-CH DARLINGTON SINK DRIVER AND 3-TERMINAL 0.2A 5V VOLTAGE REGULATOR



DESCRIPTION

The UTC **ULN202L05** is comprised of 4-ch Darlington Sink Driver and 3-TERMINAL Voltage Regulator.

The Sink Driver is a high-voltage, high-current NPN darlington driver. Every channel includes clamp diode for switching inductive load. The applications of the UTC **ULN202L05** include relay, hammer, lamp and display (LED) drivers.

The 5V Voltage Regulator is a three-terminal regulator with 0.2A output current capability.

FEATURES

For Darlington Sink Drivers

- * Output current (single output): 500mA max
- * High sustaining voltage output: 50V min
- * Output clamp diodes
- * Inputs compatible with various types of logic

For 5V VOLTAGE REGULATOR

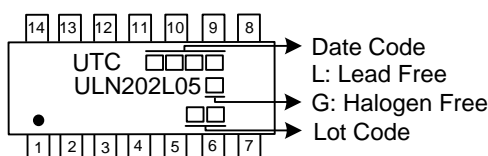
- * Output Current up to 200mA
- * Thermal Overload Shutdown Protection
- * Short Circuit Current Limiting

ORDERING INFORMATION

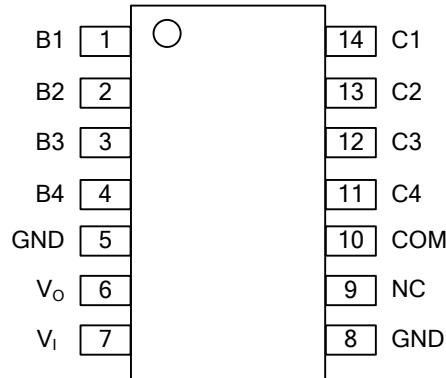
Ordering Number		Package	Packing
Lead Free	Halogen Free		
ULN202L05L-S14-R	ULN202L05G-S14-R	SOP-14	Tape Reel
ULN202L05L-S14-T	ULN202L05G-S14-T	SOP-14	Tube

<p>ULN202L05G-S14-R</p> <p>(1)Packing Type</p> <p>(2)Package Type</p> <p>(3)Green Package</p>	<p>(1) R: Tape Reel</p> <p>(2) S14: SOP-14</p> <p>(3) G: Halogen Free and Lead Free, L: Lead Free</p>
---	---

MARKING



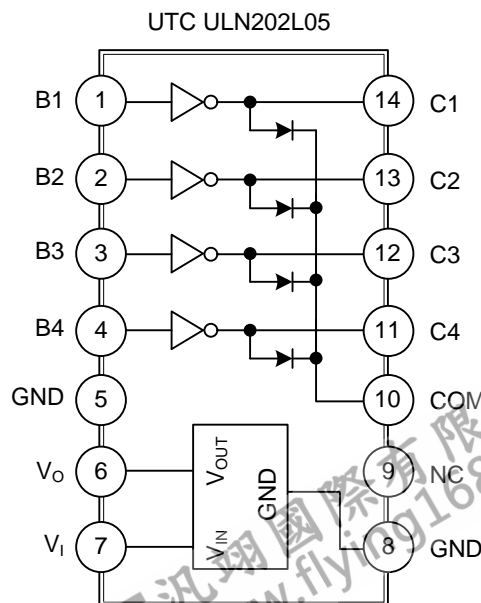
■ PIN CONFIGURATION



■ PIN DESCRIPTION

PIN NO.	PIN NAME	DESCRIPTION
1	B1	Input of the 1st-ch Darlington Sink Driver
2	B2	Input of the 2nd-ch Darlington Sink Driver
3	B3	Input of the 3rd-ch Darlington Sink Driver
4	B4	Input of the 4th-ch Darlington Sink Driver
5	GND	Ground of Darlington Sink Drivers
6	V_o	Output of 5V Voltage Regulator
7	V_i	Input of 5V Voltage Regulator
8	GND	Ground of 5V Voltage Regulator
9	NC	No connection
10	COM	COMMON of Darlington Sink Drivers
11	C4	Output of the 4th-ch Darlington Sink Driver
12	C3	Output of the 3rd-ch Darlington Sink Driver
13	C2	Output of the 2nd-ch Darlington Sink Driver
14	C1	Output of the 1st-ch Darlington Sink Driver

■ BLOCK DIAGRAM



■ ABSOLUTE MAXIMUM RATING

PARAMETER	SYMBOL	RATING	UNIT
Power Dissipation ($T_A=25^\circ\text{C}$)	P_D	0.9	W
Junction Temperature	T_J	+125	$^\circ\text{C}$
Operating Temperature	T_{OPR}	-40 ~ +85	$^\circ\text{C}$
Storage Temperature	T_{STG}	-55 ~ +150	$^\circ\text{C}$
Darlington Sink Drivers			
Output Sustaining Voltage	V_{OUT}	-0.5 ~ 50	V
Input Voltage	V_{IN}	-0.5 ~ 30	V
Clamp Diode Reverse Voltage	V_R	50	V
Output Current	I_{OUT}	500	mA/ch
Clamp Diode Forward Current	I_F	500	mA
5V VOLTAGE REGULATOR			
Input Voltage	V_{IN}	30	V
Output Current	I_{OUT}	200	mA

■ ELECTRICAL CHARACTERISTICS

Darlington Sink Drivers ($T_A = 25^\circ\text{C}$ unless otherwise specified)

PARAMETER	SYMBOL	TEST CONDITIONS	MIN	TYP	MAX	UNIT
Output Leakage Current	I_{LEAK}	$V_{\text{CE}}=50\text{V}, T_A=25^\circ\text{C}$			50	μA
		$V_{\text{CE}}=50\text{V}, T_A=85^\circ\text{C}$			100	
Collector-Emitter Saturation Voltage	$V_{\text{CEO(SAT)}}$	$I_{\text{OUT}}=350\text{mA}, I_{\text{IN}}=500\mu\text{A}$		1.3	1.6	V
		$I_{\text{OUT}}=200\text{mA}, I_{\text{IN}}=350\mu\text{A}$		1.1	1.3	
		$I_{\text{OUT}}=100\text{mA}, I_{\text{IN}}=250\mu\text{A}$		0.9	1.1	
DC Current Transfer Ratio	h_{FE}	$V_{\text{CE}}=2\text{V}, I_{\text{OUT}}=350\text{mA}$	1000			
Input Current (Output On)	$I_{\text{IN(ON)}}$	$V_{\text{IN}}=2.4\text{V}, I_{\text{OUT}}=350\text{mA}$		0.4	0.7	mA
Input Current (Output Off)	$I_{\text{IN(OFF)}}$	$I_{\text{OUT}}=500\mu\text{A}, T_A=85^\circ\text{C}$	50	65		μA
Input Voltage (Output On)	$V_{\text{IN(ON)}}$	$V_{\text{CE}}=2\text{V}$	$I_{\text{OUT}}=350\text{mA}$		2.6	V
			$I_{\text{OUT}}=200\text{mA}$		2.0	
Clamp Diode Reverse Current	I_R	$V_R=50\text{V}, T_A=25^\circ\text{C}$			50	μA
		$V_R=50\text{V}, T_A=85^\circ\text{C}$			100	
Clamp Diode Forward Voltage	V_F	$I_F=350\text{mA}$			2.0	V
Input Capacitance	C_{IN}			15		pF
Turn-On Delay	t_{ON}	$V_{\text{OUT}}=50\text{V}, R_L=125\Omega, C_L=15\text{pF}$		0.1		μs
Turn-Off Delay	t_{OFF}	$V_{\text{OUT}}=50\text{V}, R_L=125\Omega, C_L=15\text{pF}$		0.2		

■ ELECTRICAL CHARACTERISTICS(Cont.)

5V VOLTAGE REGULATOR

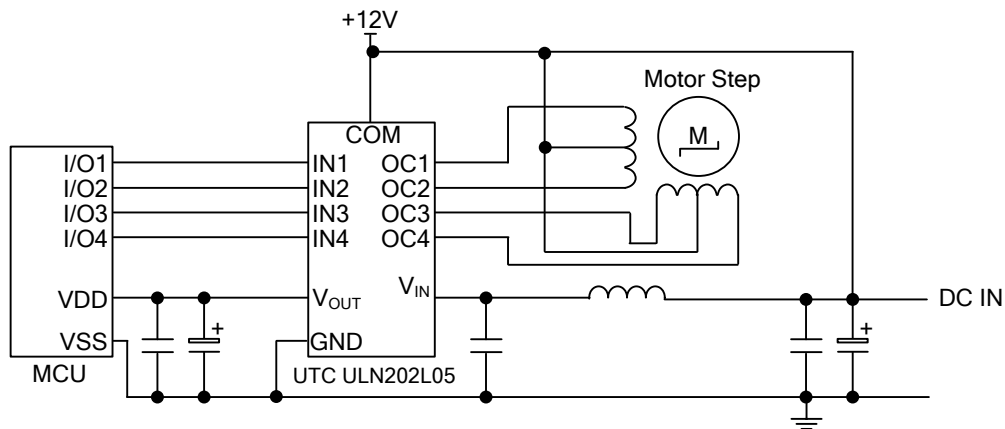
($V_{IN}=10V$, $I_{OUT}=40mA$, $0^{\circ}C < T_J < 125^{\circ}C$, $C_1=0.33\mu F$, $C_o=0.1\mu F$, unless otherwise specified) (Note 1)

PARAMETER	SYMBOL	TEST CONDITIONS	MIN	TYP	MAX	UNIT
Output Voltage	V_{OUT}	$T_J=25^{\circ}C$	4.80	5.0	5.20	V
		$7V \leq V_{IN} \leq 20V$, $I_{OUT}=1mA-40mA$	4.75		5.25	
		$7V \leq V_{IN} \leq V_{MAX}$, $I_{OUT}=1mA-200mA$ (Note 2)	4.75		5.25	V
Load Regulation	ΔV_{OUT}	$T_J=25^{\circ}C$, $I_{OUT}=1mA-100mA$		11	60	mV
		$T_J=25^{\circ}C$, $I_{OUT}=1mA-40mA$		5.0	30	
Line regulation	ΔV_{OUT}	$7V \leq V_{IN} \leq 20V$, $T_J=25^{\circ}C$		8	150	mV
		$8V \leq V_{IN} \leq 20V$, $T_J=25^{\circ}C$		6	100	
Quiescent Current	I_Q	$V_{IN}=10V$, $I_{OUT}=0mA$, $T_J=25^{\circ}C$		2.0	5.5	mA
Quiescent Current Change	ΔI_Q	$8V \leq V_{IN} \leq 20V$			1.5	mA
		$1mA \leq V_{IN} \leq 40mA$			0.1	
Max output current	$I_{OUT(MAX)}$	$T_J=25^{\circ}C$	$V_{in}=7V$		400	mA
			$V_{in}=30V$		150	
Output Noise Voltage	e_N	$10Hz \leq f \leq 100kHz$		40		μV
Temperature coefficient of V_{OUT}	$\Delta V_O/\Delta T$	$I_{OUT}=5mA$		-0.65		mV/ $^{\circ}C$
Ripple Rejection	RR	$8V \leq V_{IN} \leq 20V$, $f=120Hz$, $T_J=25^{\circ}C$	41	80		dB
Dropout Voltage	V_D	$T_J=25^{\circ}C$, $I_{OUT}=100mA$		1.7		V

Notes: 1. The Maximum steady state usable output current are dependent on input voltage, heat sinking, lead length of the package and copper pattern of PCB. The data above represent pulse test conditions with junction temperatures specified at the initiation of test.

2. Power dissipation < 0.5W.

■ TYPICAL APPLICATION CIRCUIT



UTC assumes no responsibility for equipment failures that result from using products at values that exceed, even momentarily, rated values (such as maximum ratings, operating condition ranges, or other parameters) listed in products specifications of any and all UTC products described or contained herein. UTC products are not designed for use in life support appliances, devices or systems where malfunction of these products can be reasonably expected to result in personal injury. Reproduction in whole or in part is prohibited without the prior written consent of the copyright owner. UTC reserves the right to make changes to information published in this document, including without limitation specifications and product descriptions, at any time and without notice. This document supersedes and replaces all information supplied prior to the publication hereof.