



ULV7084

Preliminary

CMOS IC

PRE-AMPLIFIER FOR MEMS MICROPHONE

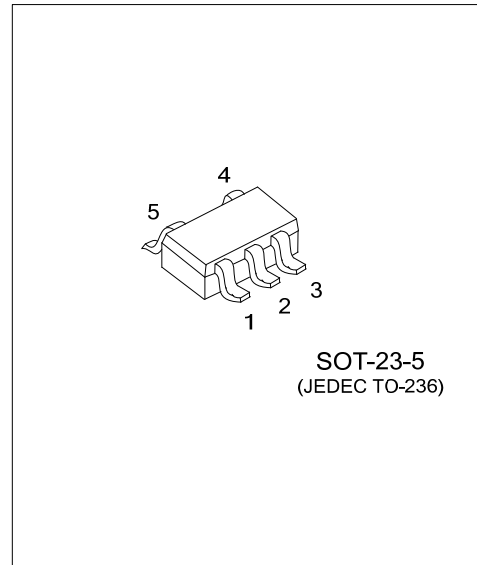
DESCRIPTION

The UTC **ULV7084** is a pre-amplifier for MEMS microphone.

The UTC **ULV7084** has integrated low noise bias circuit for MEMS microphone, and high performance analog pre-amplifier deliver the genuine sound quality and support flexible microphone systems.

FEATURES

- * Operating voltage: 1.5V ~ 3.60V
- * Current consumption: 80µA typ.
- * Bias Voltage: +12.5V
- * Input equivalent noise: 3µVrms (-110dBV)
- * Frequency response: 20Hz~20kHz
- * Maximum output Voltage: 281mVrms (-11dBV) at THD < 5%
- * Gain: -3dB
- * Operating temperature: -40°C~85°C

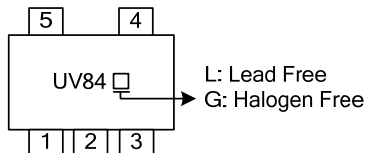


ORDERING INFORMATION

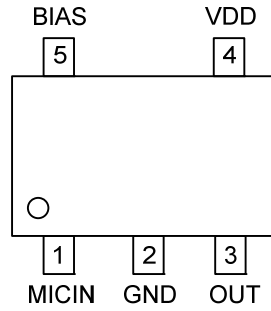
Ordering Number		Package	Packing
Lead Free	Halogen Free		
ULV7084L-AE5-R	ULV7084G-AE5-R	SOT-23-5	Tape Reel

<p>ULV7084G-AE5-R</p> <ul style="list-style-type: none"> (1) Packing Type (2) Package Type (3) Green Package 	<ul style="list-style-type: none"> (1) R: Tape Reel (2) AE5: SOT-23-5 (3) G: Halogen Free and Lead Free, L: Lead Free
---	--

MARKING



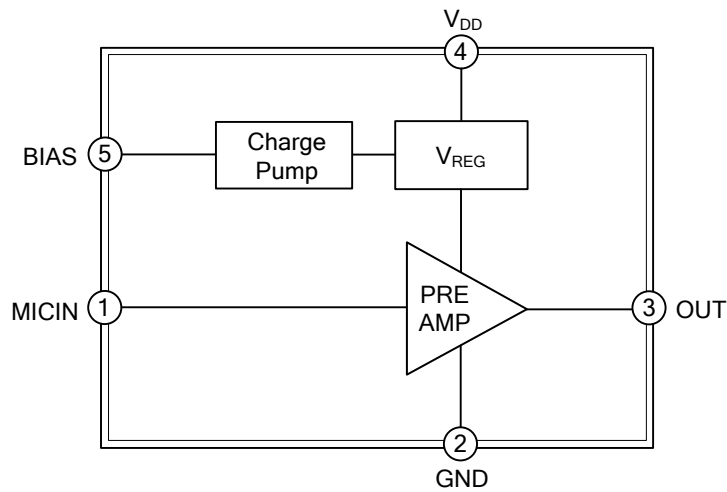
■ PIN CONFIGURATION



■ PIN DESCRIPTION

PIN NO.	PIN NAME	DESCRIPTION
1	MICIN	Microphone input (Analog input)
2	GND	Ground
3	OUT	Output (Analog output)
4	V _{DD}	Power Supply
5	BIAS	Bias Voltage Output

■ BLOCK DIAGRAM



■ ABSOLUTE MAXIMUM RATING ($T_A=25^\circ\text{C}$, unless otherwise specified)

PARAMETER	SYMBOL	RATINGS	UNIT
Power Supply Voltage	V_{DD}	5	V
Maximum Input Voltage	V_{IM}	± 0.4	V
Operating Temperature	T_{OPR}	-40 ~ +85	$^\circ\text{C}$
Storage Temperature	T_{STG}	-40 ~ +125	$^\circ\text{C}$

Note: Absolute maximum ratings are those values beyond which the device could be permanently damaged. Absolute maximum ratings are stress ratings only and functional device operation is not implied.

■ RECOMMENDED OPERATING ($T_A=25^\circ\text{C}$, unless otherwise specified)

PARAMETER	SYMBOL	TEST CONDITIONS	MIN	TYP	MAX	UNIT
Operating Voltage	V_{DD}		1.5	1.8	3.6	V

■ ELECTRICAL CHARACTERISTICS

($V_{DD}=1.8\text{V}$, Input Capacitance=1pF, $V_{IN}=-39.0\text{dBV}$, $f=1\text{kHz}$, $R_L=100\text{k}\Omega$, $T_A=25^\circ\text{C}$, unless otherwise specified)

PARAMETER	SYMBOL	TEST CONDITIONS	MIN	TYP	MAX	UNIT
Current Consumption	I_{DD}		50	80	120	μA
Output Noise Voltage	V_{NO}	A-weighted		3 (-110)		μVrms (dBV)
Gain	V_G			-0.2		dB
Total Harmonic Distortion	THD+N	$V_{in}=50\text{mVrms}$ (=-26dBV), filter=400Hz~30kHz		0.2	1	%
Maximum Output Voltage	V_{OM}	THD<5%, filter=400Hz~30kHz	150 (-16.5)	281 (-11)		mVrms (dBV)
Cut Off Frequency	f_{CL}				20	Hz
Cut Off Frequency	f_{CH}		20			kHz
Power Supply Rejection Ratio	PSRR	$f=217\text{Hz}$, 0.1Vpp Square		-56		dB
Bias Voltage	V_{bias}		11.8	12.5	13.2	V
Output DC Impedance	Z_o	$R_L=2.2\text{k}\Omega$		150	300	Ω
Start Up Time	trbs	Bias Voltage 90% Rising		4	10	msec

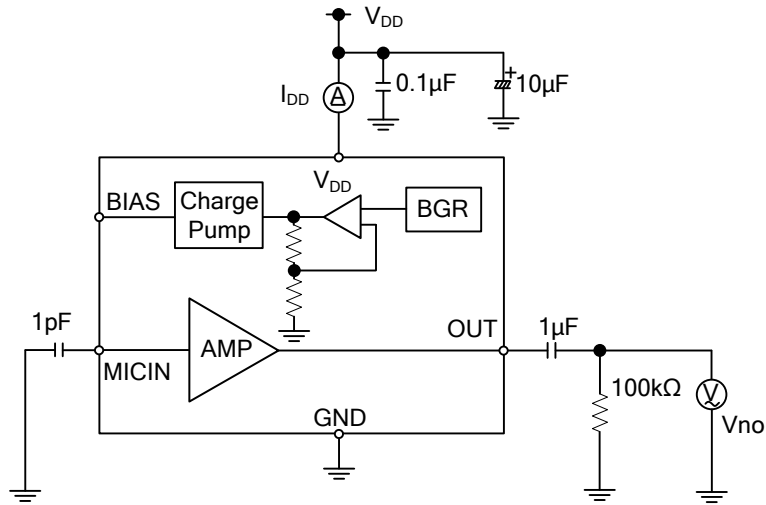
■ TERMINAL DESCRIPTION

PIN NO.	SYMBOL	FUNCTION	EQUIVALENT CIRCUIT	TERMINAL VOLTAGE
1	MICIN	Microphone input (Analog input)		0V
3	OUT	Output (Analog output)		0.9V
2	GND	Ground		0V
4	V _{DD}	Power Supply		V _{DD}
5	BIAS	Bias Voltage Output		12.5V

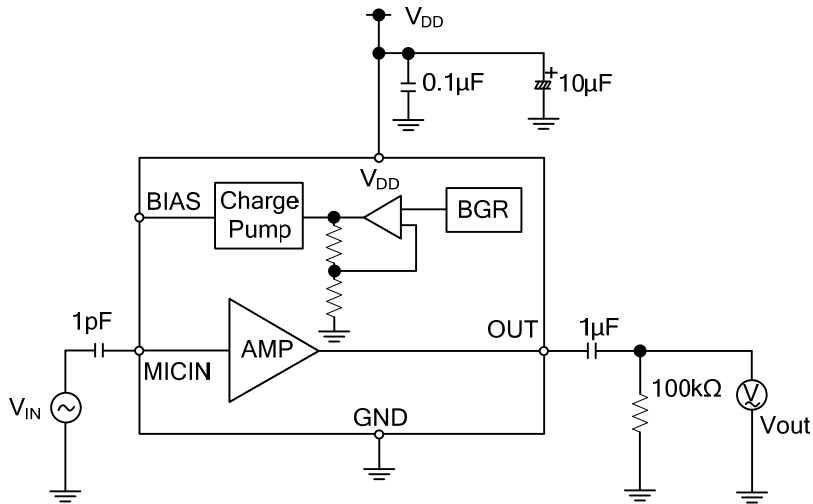
汎翔國際有限公司
 www.flying1688.com

■ TEST CIRCUIT

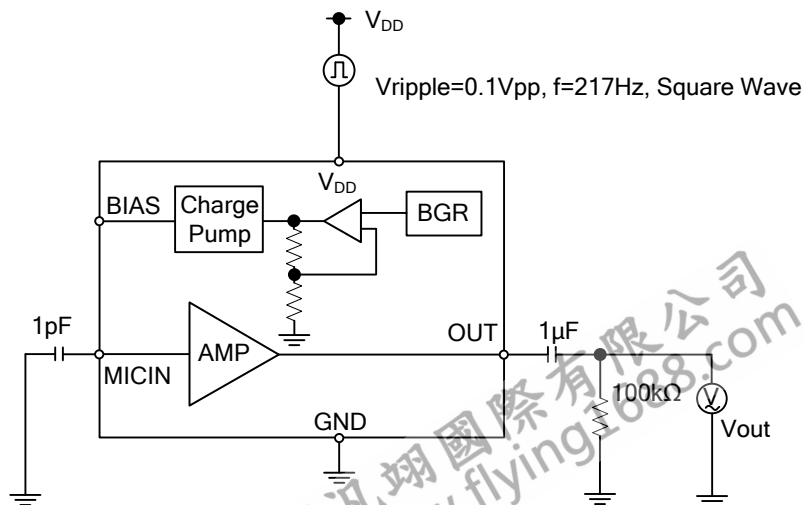
[I_{DD} , V_{No}]



[V_G , THD+N]

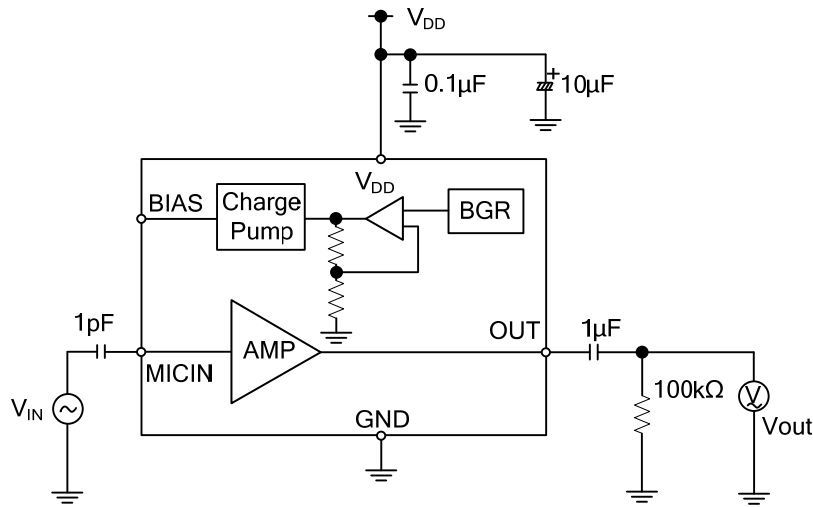


[PSRR]



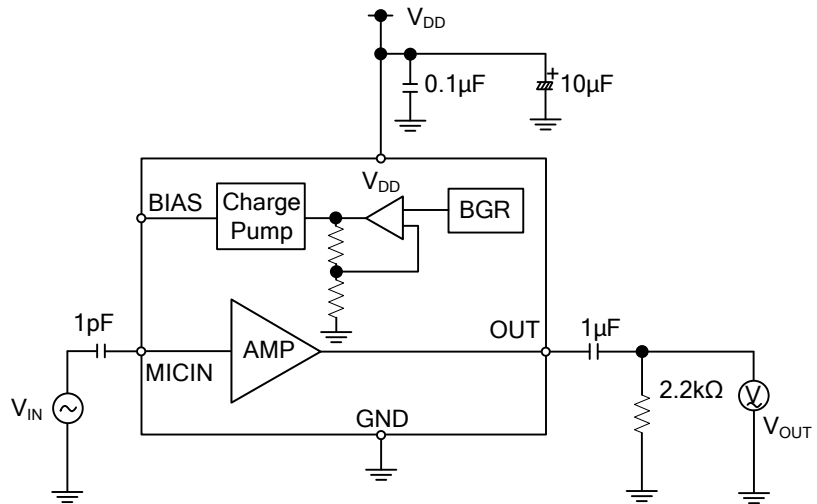
■ TEST CIRCUIT (Cont.)

[V_{OM}, f_{CL}, f_{CH}]

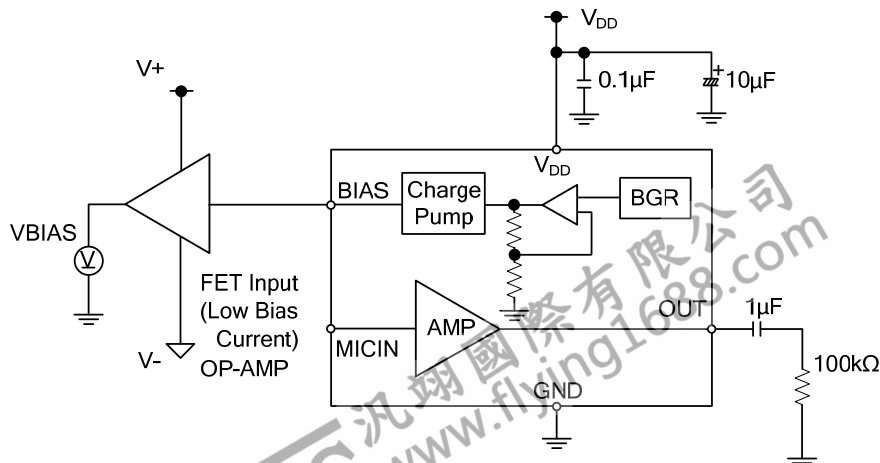


[Z_o]

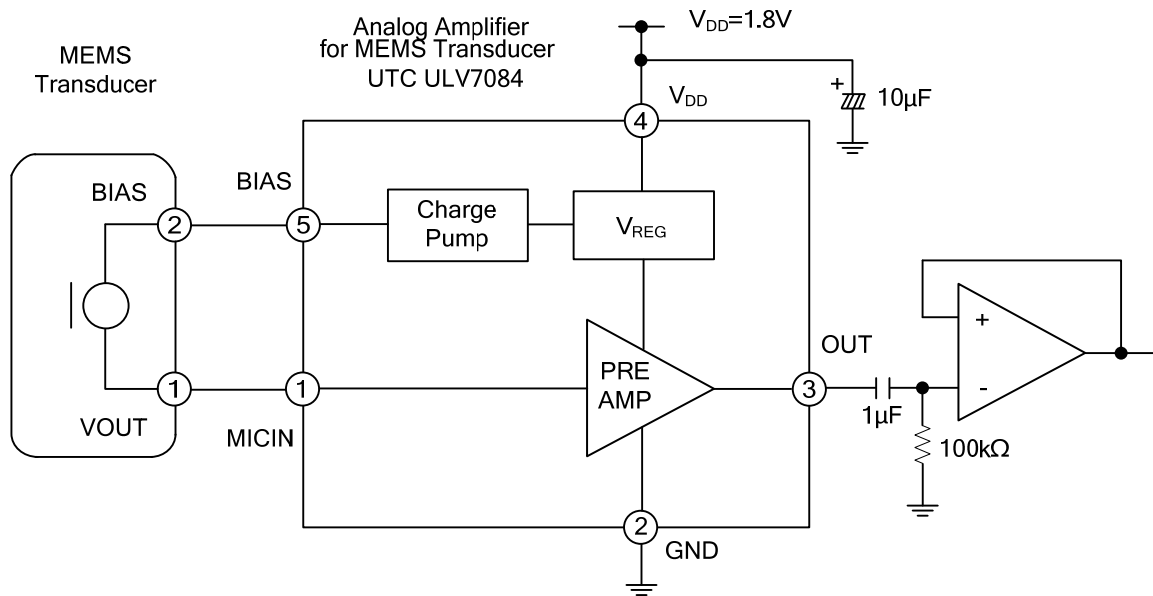
$$Z_o = 100k\Omega \times \frac{V_G\text{-Measurement} \cdot \frac{1-10}{20}}{V_G\text{-Measurement} \cdot \frac{100k\Omega}{2.2k\Omega}}$$



[V_{bias}]



■ TYPICAL APPLICATION CIRCUIT



UTC assumes no responsibility for equipment failures that result from using products at values that exceed, even momentarily, rated values (such as maximum ratings, operating condition ranges, or other parameters) listed in products specifications of any and all UTC products described or contained herein. UTC products are not designed for use in life support appliances, devices or systems where malfunction of these products can be reasonably expected to result in personal injury. Reproduction in whole or in part is prohibited without the prior written consent of the copyright owner. The information presented in this document does not form part of any quotation or contract, is believed to be accurate and reliable and may be changed without notice.