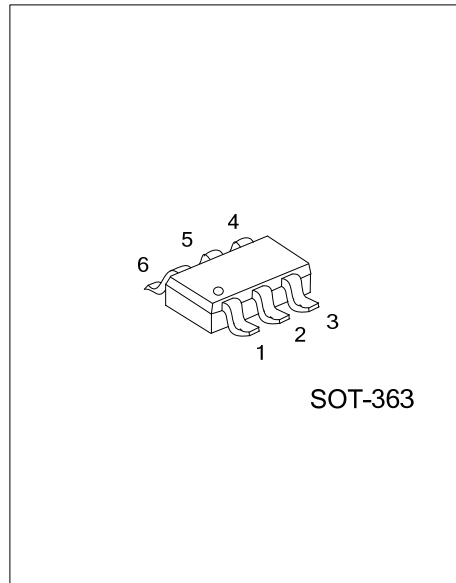




UMX4215

CMOS IC

LOW ON-RESISTANCE WIDE BANDWIDTH SINGLE 2:1 MUX/DEMUX ANALOG SWITCH



DESCRIPTION

The **UMX4215** is a Rail-to-Rail 1-port 2:1 Multiplexer /demultiplexer switch designed with advanced CMOS technology. The wide bandwidth of this switch allows signals to pass with minimum distortion. The device is specified to operate over 1.65V to 5.5V V_{DD} operating range. It is bidirectional and designed for low bit-to-bit skew, high channel-to-channel noise isolation.

FEATURES

- * Useful in Both Analog and Digital Applications
- * V_{DD} Supply Range : 1.65V to 5.5V
- * Rail-to-Rail Signal Handling
- * Low On-Resistance : 5Ω at $V_{DD}=4.5V$
- * High Off-Isolation : -66dB at 10MHz
- * Low Crosstalk: -60dB at 10Mhz

APPLICATIONS

- * Audio, Video Switching and Routing
- * Portable Instrumentation
- * Computer Peripheral
- * Battery-Powered Communication Systems

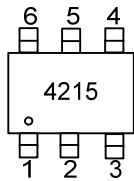
ORDERING INFORMATION

Ordering Number		Package	Packing
Lead Free	Halogen Free		
UMX4215L-AL6-R	UMX4215G-AL6-R	SOT-363	Tape Reel

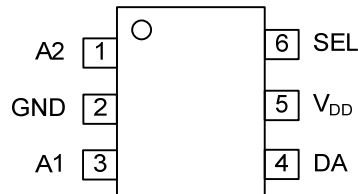
<p>UMX4215G-AL6-R</p> <pre> graph TD A[UMX4215G-AL6-R] --- B["(1)Packing Type"] A --- C["(2)Package Type"] A --- D["(3)Green Package"] </pre>	<p>(1) R: Tape Reel</p> <p>(2) AL6: SOT-363</p> <p>(3) G: Halogen Free and Lead Free, L: Lead Free</p>
---	--



■ MARKING



■ PIN CONFIGURATION



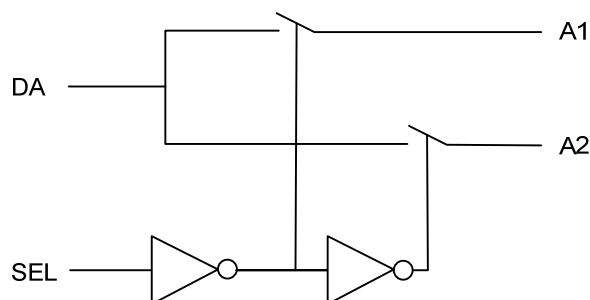
■ PIN DESCRIPTION

PIN NO	PIN Name	DESCRIPTION
1/3	A1, A2	Analog Data I/O
4	DA	Analog Data I/O
6	SEL	Logic Control
5	V _{DD}	Power
2	GND	Ground

■ TRUTH TABLE

SEL	Function
L	A1 connected to DA
H	A2 connected to DA

■ BLOCK DIAGRAM



■ ABSOLUTE MAXIMUM RATING

PARAMETER	SYMBOL	RATING	UNIT
Supply Voltage to Ground Potential		-0.5 ~ +7.0	V
DC Input Voltage	V _{IN}	-0.5 ~ +7.0	V
DC Output Current	V _{OUT}	120	mA
Power Dissipation	P _D	0.25	W
Ambient Temperature with Power applied		-40 ~ +85	°C
Storage Temperature	T _{STG}	-65 ~ +150	°C

Note: Absolute maximum ratings are those values beyond which the device could be permanently damaged. Absolute maximum ratings are stress ratings only and functional device operation is not implied.

■ DC ELECTRICAL CHARACTERISTICS (T_A=-40~+85°C, unless otherwise specified)

PARAMETER	SYMBOL	TEST CONDITIONS	MIN	TYP (Note1)	MAX	UNIT
SUPPLY POWER						
Supply Current	V _{DD}		1.65		5.5	V
Power Supply Current	I _S	V _{DD} =5.5V			1	μA
Analog Signal Range	V _{SWITCH}		0		V _{DD}	V
Input HIGH Voltage	V _H	V _{DD} =1.65V~2.3V	0.75			V
		V _{DD} =2.3V~5.5V	0.7×			V
Input LOW Voltage	V _L	V _{DD} =1.65V~5.5V			0.25	V
Input HIGH Current	I _H	V _{DD} =5.0V, V _{IN} =V _{DD}			±1	μA
Input LOW Current	I _L	V _{DD} =5.0V, V _{IN} =GND			±1	μA
Analog I/O Leakage Current	I _{LK}	V _{DD} =5.0V, V _{INPUT} =0~5V Switch ON			±1	μA
ON-Resistance	R _{ON}	V _{DD} =4.5V, V _{INPUT} =0V, I _O =-30mA		4.2		Ω
		V _{DD} =4.5V, V _{INPUT} =2.4V, I _O =-30mA		6.0		Ω
		V _{DD} =4.5V, V _{INPUT} =4.5V, I _O =-30mA		5.5		Ω
Match Between Channels	ΔR _{ON}	V _{DD} =4.5V, V _{INPUT} =0~4.5V, I _O =-30mA		0.1		Ω
Ron Flatness	R _{FLAT}	V _{DD} =4.5V, V _{INPUT} =0~4.5V, I _O =-30mA		2.5		Ω

Note: T_A=25°C ambient and maximum loading, unless otherwise specified.

■ DYNAMIC CHARACTERISTICS ($V_{DD}=5.0V$, $T_A=-40\sim+85^\circ C$, unless otherwise specified)

PARAMETER	SYMBOL	TEST CONDITIONS	MIN	TYP (Note1)	MAX	UNIT
Propagation Delay	t_{PD}	$R_L=50\Omega$, $C_L=10pF$ (Note 2), see Fig.1		0.25		ns
Turn On Time	t_{ON}	$R_L=50\Omega$, $C_L=10pF$ (Note 2), see Fig.2		4		ns
Turn OFF Time	t_{OFF}	$R_L=50\Omega$, $C_L=10pF$ (Note 2), see Fig.2		4		ns
Break-Before-Make Time	t_{BBM}	$R_L=50\Omega$, $C_L=10pF$ (Note 2), see Fig.3	0.5			ns
Capacitance, switch ON	$C_{(ON)}$	$V_{IN}=0V$, $f=1MHz$		6.5		pF
Bandwidth	BW	See Fig.4		400		MHz
Off Isolation	Q_{IRR}	10MHz, see Fig.5		-66		dB
Crosstalk	X_{TALK}	10MHz, see Fig.6		-60		dB

Notes: 1. $T_A=25^\circ C$ ambient and maximum loading, unless otherwise specified.

2. C_L includes probe and jig capacitance.

3. All input pulses are supplied by generators having the following characteristics : $Z_O=50\Omega$, $t_r \leq 8ns$, $t_f \leq 8ns$.

■ TEST CIRCUIT AND WAVEFORMS

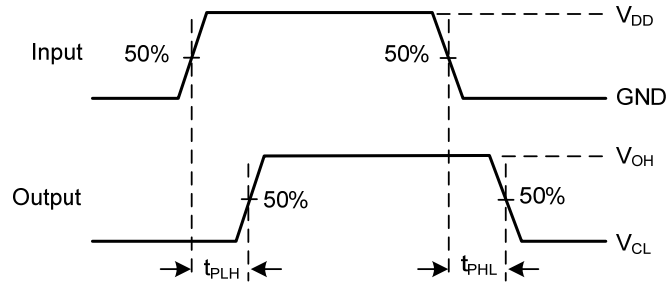


Fig. 1 Propagation Delay

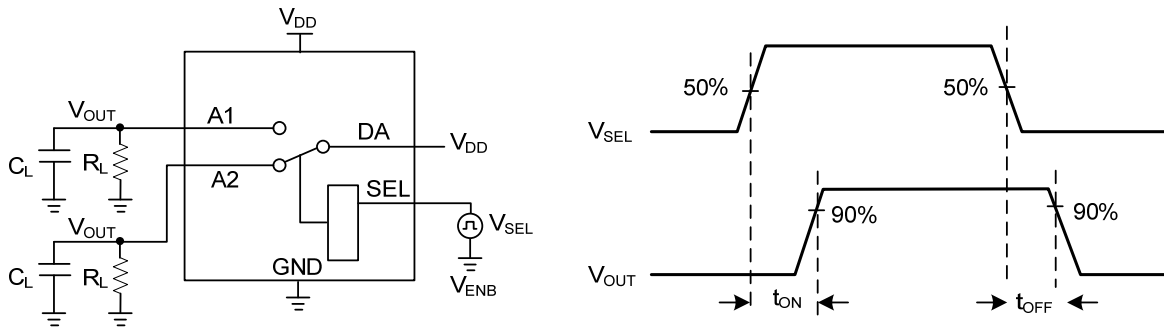


Fig. 2 Switching Time

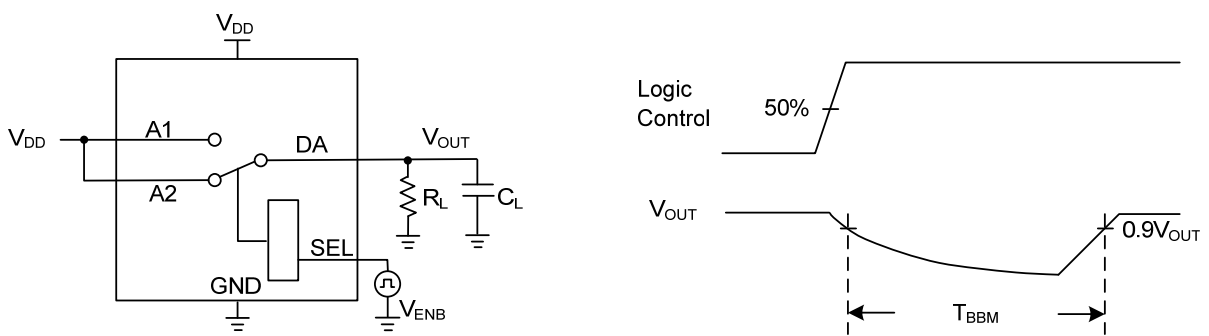


Fig. 3 Break-Before-Make Interval Time

■ TEST CIRCUIT AND WAVEFORMS (Cont.)

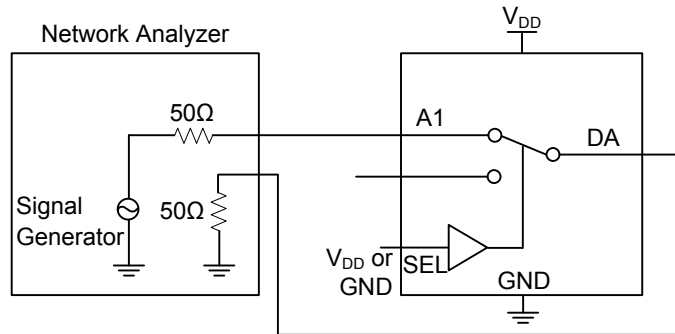


Fig. 4 Bandwidth

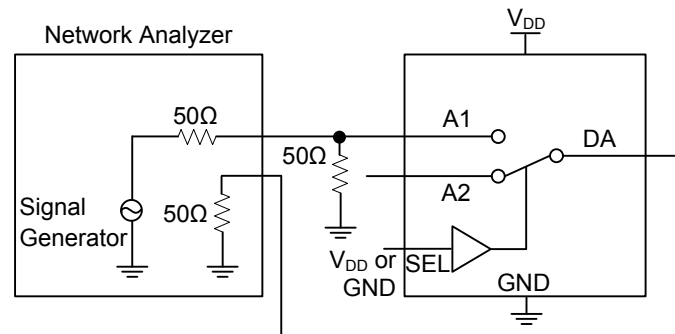


Fig. 5 Off Isolation

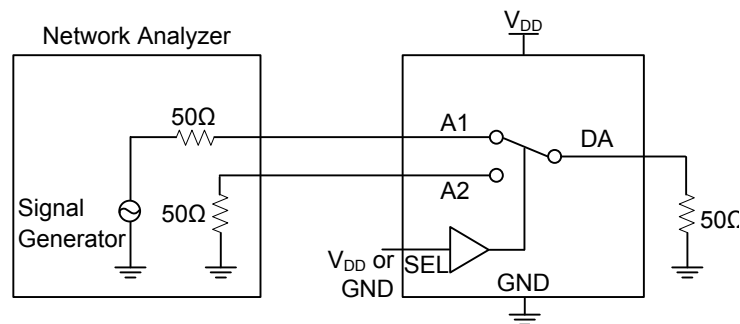


Fig. 6 Crosstalk

UTC assumes no responsibility for equipment failures that result from using products at values that exceed, even momentarily, rated values (such as maximum ratings, operating condition ranges, or other parameters) listed in products specifications of any and all UTC products described or contained herein. UTC products are not designed for use in life support appliances, devices or systems where malfunction of these products can be reasonably expected to result in personal injury. Reproduction in whole or in part is prohibited without the prior written consent of the copyright owner. UTC reserves the right to make changes to information published in this document, including without limitation specifications and product descriptions, at any time and without notice. This document supersedes and replaces all information supplied prior to the publication hereof.