



UR5512

LINEAR INTEGRATED CIRCUIT

2A DDR BUS TERMINATION REGULATOR

DESCRIPTION

The UTC **UR5512** is a linear regulator which provides up to 2 Amp bi-directional driving and sinking capability for DDR SDRAM bus terminator application. The output termination voltage tracks the reference voltage applied at V_{REF} pin. A resistor divider connected to V_{IN} , GND and V_{REF} pins is used to force a reference voltage to V_{REF} pin.

The UTC **UR5512** contains a high-speed operational amplifier to provide excellent response to line/load transient. An active-low shutdown (V_{REF}) pin provides Suspend to RAM (STR) functionality. Additional features include current limiting protection, on-chip thermal shut-down protection.

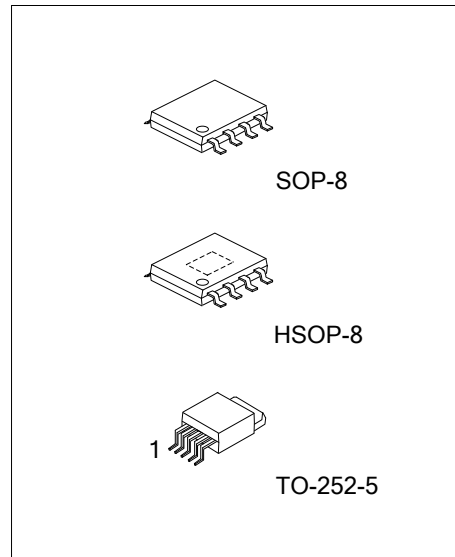
FEATURES

- * DDR-I and DDR-II termination voltage applications
- * Driving and sinking current up to 2A
- * Low output voltage offset (within 20mV@±2A)
- * Adjustable output voltage by external resistors
- * Suspend to RAM (STR) functionality
- * Current limiting protection
- * Thermal protection
- * Cost-effective and easy to use

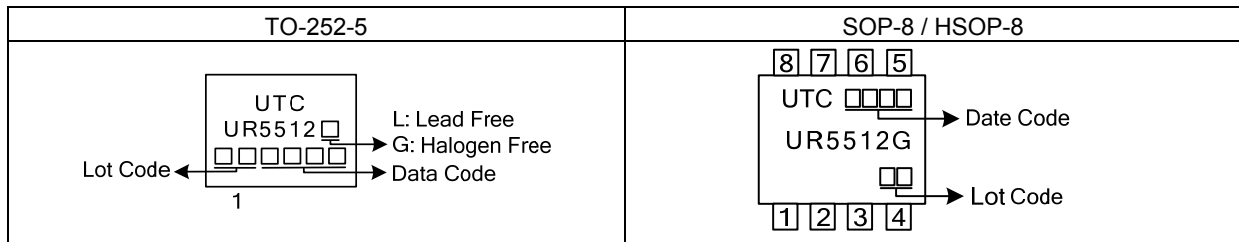
ORDERING INFORMATION

Ordering Number		Package	Packing
Lead Free	Halogen Free		
-	UR5512G-S08-R	SOP-8	Tape Reel
-	UR5512G-SH2-R	HSOP-8	Tape Reel
UR5512L-TN5-R	UR5512G-TN5-R	TO-252-5	Tape Reel

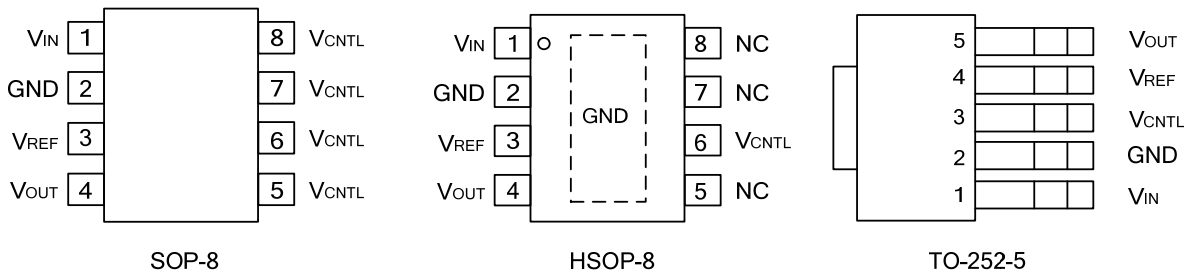
<p>UR5512G-S08-R</p> <p>(1) Packing Type (2) Package Type (3) Green Package</p>	<p>(1) R: Tape Reel (2) S08: SOP-8, SH2: HSOP-8, TN5: TO-252-5 (3) G: Halogen Free and Lead Free, L: Lead Free</p>
---	--



MARKING



PIN CONFIGURATIONS

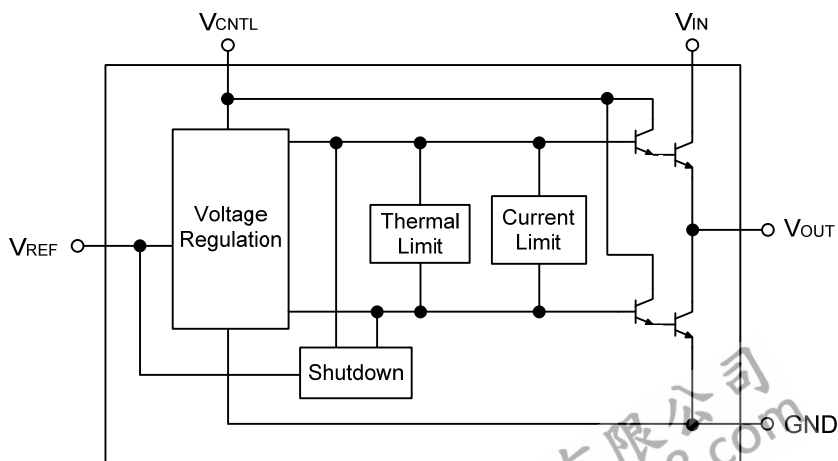


NC: No Connection

PIN DESCRIPTION

PIN NAME	PIN TYPE	PIN DESCRIPTION
V_{IN}	I	Power input pin
GND	O	Ground pin
V_{CNTRL}	I	Power input pin for internal control circuit
V_{REF}	I	Reference voltage input and active-low shutdown control pin
V_{OUT}	O	Output voltage pin

BLOCK DIAGRAM



■ ABSOLUTE MAXIMUM RATINGS

PARAMETER	SYMBOL	RATING	UNIT
V _{CNTL} Control Voltage	V _{CNTL}	-0.2 ~ 7	V
V _{IN} Supply Voltage	V _{IN}	-0.2 ~ 6	V
Power Dissipation	P _D	Internally Limited	W
Junction Temperature	T _J	+125	°C
Storage Temperature	T _{STG}	-40 ~ +150	°C

Note: Absolute maximum ratings are those values beyond which the device could be permanently damaged. Absolute maximum ratings are stress ratings only and functional device operation is not implied.

■ RECOMMENDED OPERATING CONDITIONS

PARAMETER	SYMBOL	RANGE	UNIT
V _{CNTL} Control Voltage (Note 1)	V _{CNTL}	3.1 ~ 6	V
V _{IN} Supply Voltage	V _{IN}	1.6 ~ 5.5	V
V _{REF} Input Voltage	V _{REF}	0.85 ~ 1.75	V
V _{OUT} Output Voltage (Note 2)	V _{OUT}	V _{REF} ± 0.02	V
V _{OUT} Output Current	I _{OUT}	-2 ~ +2	A
Junction Temperature	T _J	0 ~ +125	°C

Note: The V_{OUT} tracks the V_{REF} with additional voltage offset and load regulation.

■ ELECTRICAL CHARACTERISTICS

(V_{IN} = 1.8V, V_{CNTL} = 5V, V_{REFEN} = 0.5V_{IN}, T_a = 25°C, unless otherwise specified)

PARAMETER	SYMBOL	TEST CONDITIONS	MIN	TYP	MAX	UNIT
INPUT CURRENT						
Operation Current of V _{CNTL}	I _{CNTL}	I _{OUT} = 0A		2	4	mA
		V _{REF} =GND (Shutdown)		1.9		mA
Current into V _{REF} Pin	I _{REF}	V _{REF} = 1.25V		200	500	nA
		V _{REF} = GND (Shutdown)		20	40	µA
Standby Current	I _{STB}	V _{REF} < 0.2V, R _{LOAD} = 180Ω		50	90	µA
OUTPUT VOLTAGE						
Output Voltage Offset (V _{OUT} - V _{REF})	V _{O(OFF)}	I _{OUT} = 0A	-20	6	+20	mV
Load Regulation	ΔV _{LOAD}	I _{OUT} = ±1.5A	-20		+20	mV
PROTECTION						
Current limit	I _{LIMIT}		2.0			A
Thermal Shutdown Temperature	T _{SD}	V _{CNTL} = 5V	125	180		°C
Thermal Shutdown Hysteresis	ΔT _{SD}	V _{CNTL} = 5V		40		°C
REFEN Shutdown						
Shutdown Threshold	V _{IH}	Enable	0.6			V
	V _{IL}	Shutdown			0.15	V

■ FUNCTIONAL DESCRIPTION

General Information

The UTC **UR5512** is a linear regulator designed for DDR SDRAM bus terminator application. The output, V_{OUT} is capable of sourcing or sinking current up to 2A peak while regulating the output voltage to within 20mV offset. The UTC **UR5512** has excellent response to load regulation while preventing shoot through. Active-low shutdown mechanism and fault protections. The UTC **UR5512** is available in several packages to meet different power dissipation and surface mount applications.

Output Voltage Regulation

The output voltage tracks the reference voltage applied at V_{REF} pin. Two internal NPN pass transistors act as the buffered output regulate the output voltage by sourcing current from V_{IN} pin or sinking current to GND pin. An internal Kelvin sensing scheme is use at the V_{OUT} pin to improve load regulation at various load current. Since the UTC **UR5512** exhibits excellent response to load transient, lesser amount of capacitors can be used.

Current Limit

An internal current limiting sensor is used to monitor the maximum output current to prevent damages from overload or short-circuit condition. Increasing the input voltage of V_{IN} or V_{CNTL} will get higher current-limit points.

Shutdown and Soft-Start

An additional function of the V_{REF} pin is acting as a shutdown control input that can be used for suspend to RAM functionality. Applying and holding a voltage below 0.15V to V_{REF} pin shuts down the output of the regulator. An external NPN transistor or N-channel MOSFET is used to pull down the V_{REF} pin voltage; while applying a "high" signal to turn on the transistor. During shutdown condition, the two pass transistors are turned off and the output V_{OUT} will tri-state; sourcing or sinking no current. When releasing the V_{REF} pin, the current through the resistor divider charges the capacitor C_{SS} to initiate a soft-start cycle.

Thermal Shutdown

If the junction temperature exceeds the thermal shutdown ($T_J = +150^{\circ}\text{C}$) then the part will enter a shutdown state. A thermal sensor turns off both pass transistors, allowing the device to cool down. After the junction temperature reduces by 40°C , the regulator starts to regulate again; resulting in a pulsed output during continuous thermal overload conditions.

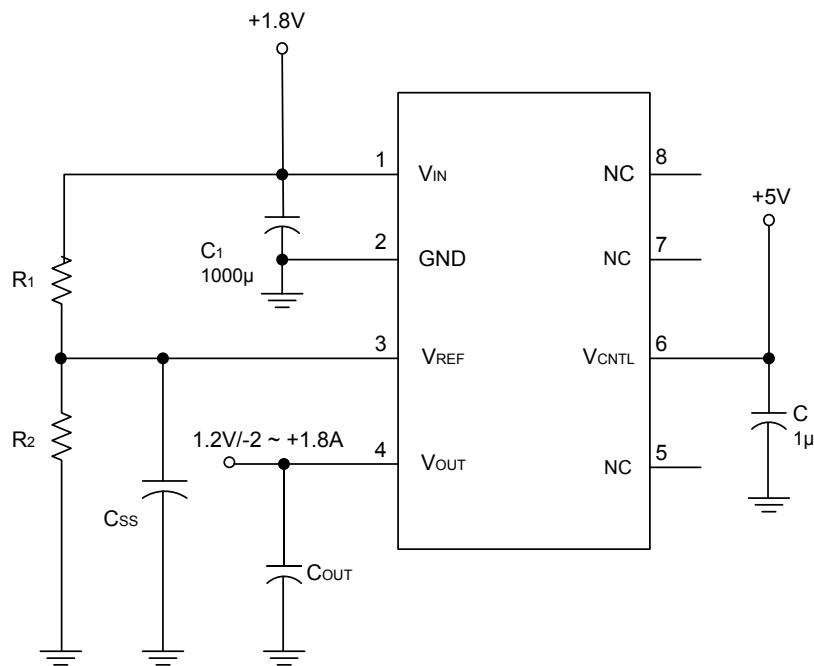
Power Inputs

Input powers up sequence are not required for V_{IN} and V_{CNTL} . Be careful; do not apply voltage to V_{OUT} when there is no V_{CNTL} voltage presented. This is due to the internal parasitic diodes between V_{OUT} to V_{IN} and V_{OUT} to V_{CNTL} which will be forward bias.

Reference Voltage

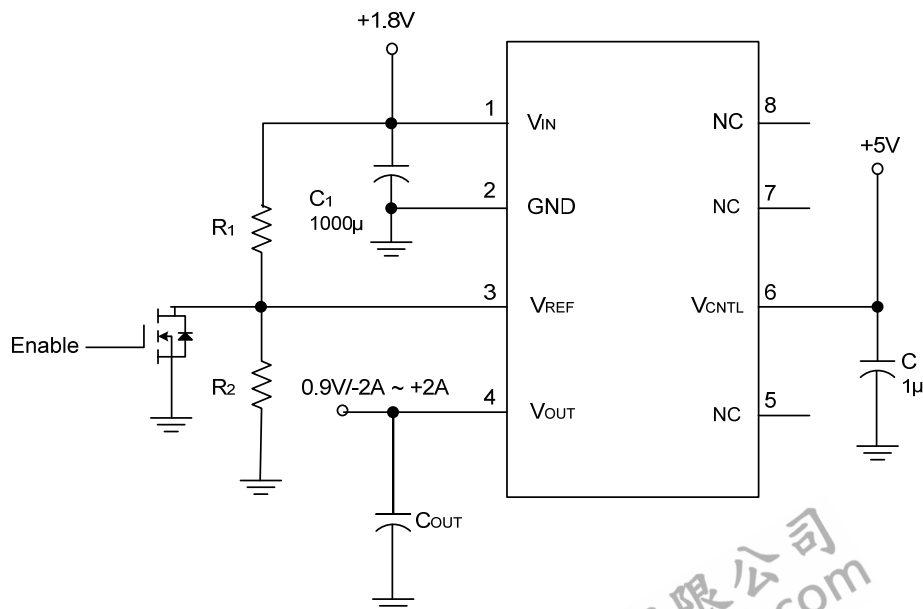
The reference voltage is programmed by a resistor divider between V_{IN} and GND pins. The recommended resistor is $< 5\text{k}\Omega$ to maintain the accuracy of the output voltage. For improved the performance, an external bypass capacitor can be used, located close to V_{REF} pin to help with noise. A ceramic capacitor can be use and is selected to be greater than $0.1\mu\text{F}$. Do not place any additional loading on this reference input pin.

■ TYPICAL APPLICATIONS CIRCUIT

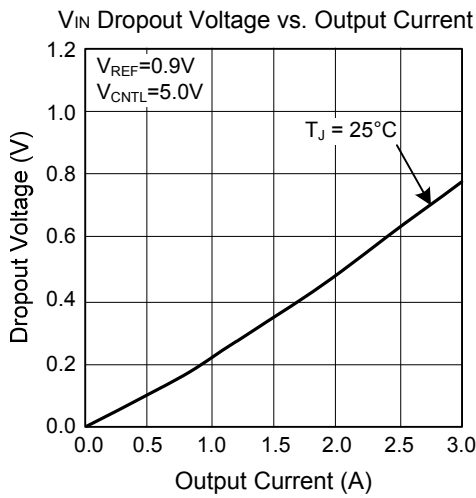
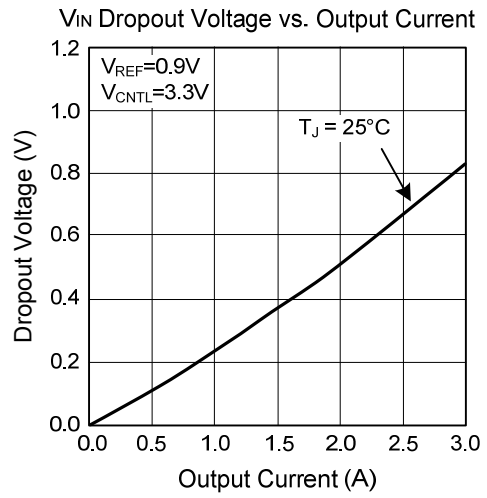
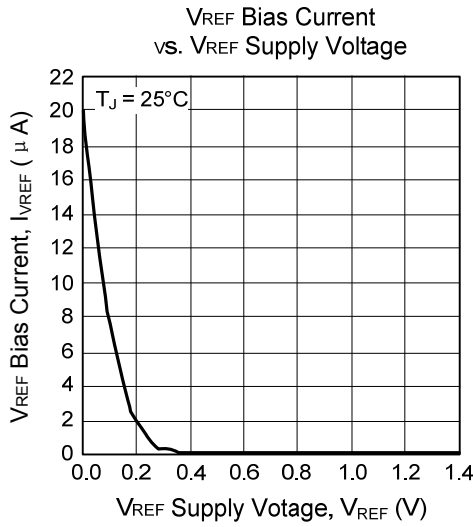


$$V_{REF} = V_{IN} \cdot \frac{R_2}{R_1 + R_2} \text{ (V)}$$

V_{OUT} track V_{REF}



■ TYPICAL CHARACTERISTICS



UTC assumes no responsibility for equipment failures that result from using products at values that exceed, even momentarily, rated values (such as maximum ratings, operating condition ranges, or other parameters) listed in products specifications of any and all UTC products described or contained herein. UTC products are not designed for use in life support appliances, devices or systems where malfunction of these products can be reasonably expected to result in personal injury. Reproduction in whole or in part is prohibited without the prior written consent of the copyright owner. The information presented in this document does not form part of any quotation or contract, is believed to be accurate and reliable and may be changed without notice.