



UR6512

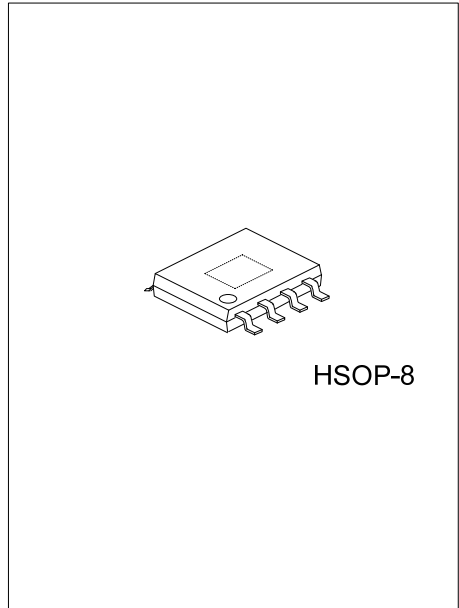
LINEAR INTEGRATED CIRCUIT

2A DDR BUS TERMINATION REGULATOR

DESCRIPTION

The **UR6512** is a linear regulator providing up to 2A for DDR 1/DDR 2 and 1.5A for DDR 3 transient peak current and has sourcing and sinking capability for DDR SDRAM bus terminator applications while regulating an output voltage to within 20mV. It contains a high speed operational amplifier which provides fast load transient response and only requires 10uF of ceramic output capacitance.

The **UR6512** output termination voltage tracks the reference voltage applied at V_{REF} pin. A resistor divider connected to V_{IN} , GND and V_{REF} pins is used to force the reference voltage to V_{REF} pin. Additional features include current limiting protection and thermal shutdown protection.



FEATURES

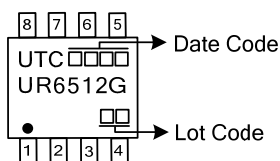
- * DDR1/ DDR2/DDR3 Termination Voltage Applications
- * Adjustable Output Voltage by External Resistors
- * Integrated Power MOS Devices
- * Suspend to RAM(STR) Functionality
- * Current Limiting Protection
- * Thermal Shutdown Protection
- * Cost-Effective and Easy to Use

ORDERING INFORMATION

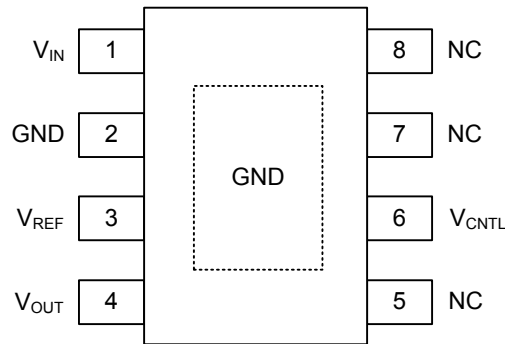
Ordering Number	Package	Packing
UR6512G-SH2-T	HSOP-8	Tube
UR6512G-SH2-R	HSOP-8	Tape Reel

<p>UR6512G-SH2-R</p> <p>(1)Packing Type</p> <p>(2)Package Type</p> <p>(3)Green Package</p>	<p>(1) T: Tube, R: Tape Reel</p> <p>(2) SH2: HSOP-8</p> <p>(3) G: Halogen Free and Lead Free</p>
--	--

MARKING



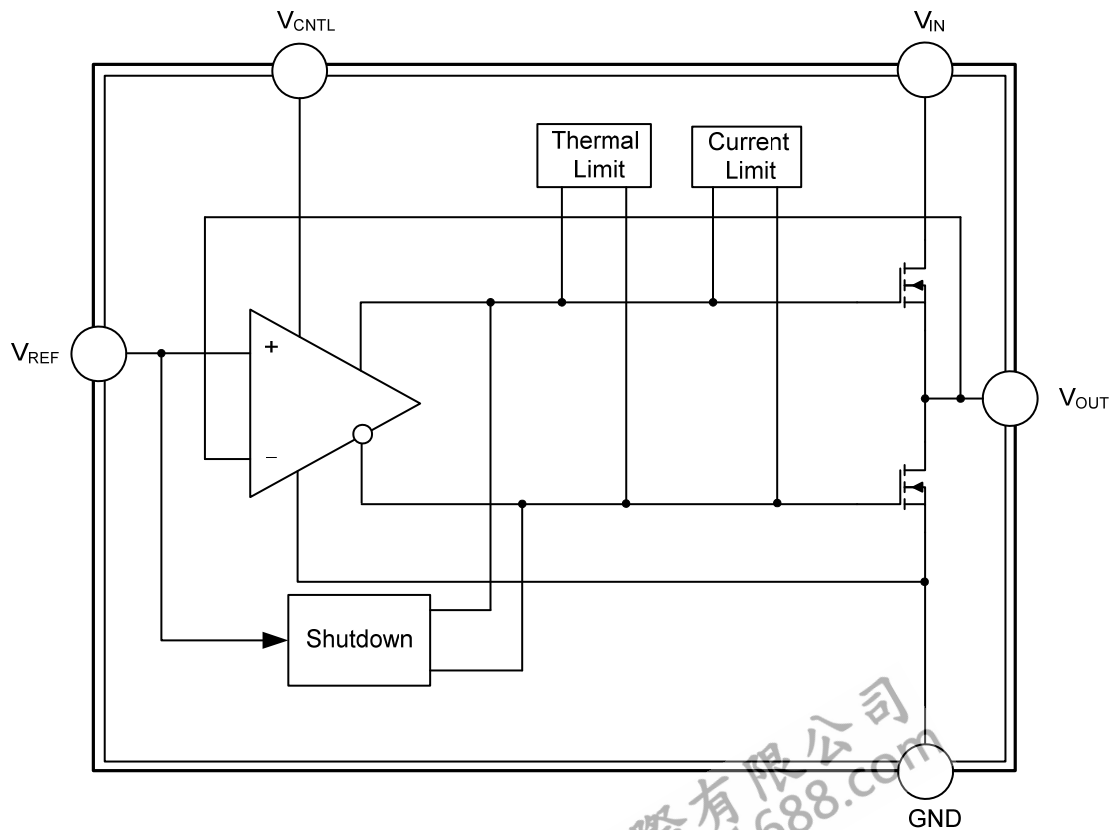
■ PIN CONFIGURATIONS



■ PIN DESCRIPTION

PIN NO	PIN NAME	PIN TYPE	PIN DESCRIPTION
1	V _{IN}	I	Power supply pin for the V _{OUT} output
2	GND	O	Ground pin
3	V _{REF}	I	Reference voltage input and active-low shutdown control pin
4	V _{OUT}	O	Output voltage pin
6	V _{CNTL}	I	Power supply pin for the internal control circuits
5,7,8	NC	--	No connect

■ BLOCK DIAGRAM



■ ABSOLUTE MAXIMUM RATING ($T_A=25^\circ\text{C}$, unless otherwise specified)

PARAMETER	SYMBOL	RATINGS	UNIT
V_{CNTL} Control Voltage	V_{CNTL}	6	V
V_{IN} Supply Voltage	V_{IN}	6	V
Power Dissipation ($T_A=25^\circ\text{C}$)	P_D	1.176	W
Junction Temperature	T_J	125	$^\circ\text{C}$
Storage Temperature	T_{STG}	-65 ~ +150	$^\circ\text{C}$

Note: Absolute maximum ratings are those values beyond which the device could be permanently damaged.

Absolute maximum ratings are stress ratings only and functional device operation is not implied.

■ THERMAL DATA

PARAMETER	SYMBOL	RATINGS	UNIT
Junction to Ambient (Note)	θ_{JA}	86	$^\circ\text{C/W}$
Junction to Case	θ_{JC}	15	$^\circ\text{C/W}$

■ RECOMMENDED OPERATING CONDITIONS (Note 1)

PARAMETER	SYMBOL	RATINGS	UNIT
V_{CNTL} Control Voltage	V_{CNTL}	(3.3 or 5) $\pm 5\%$	V
V_{IN} Supply Voltage	V_{IN}	(1.5 ~ 2.5) $\pm 3\%$	V
V_{REF} Input Voltage	V_{REF}	(0.75 ~ 1.25) $\pm 3\%$	V
Junction Temperature	T_J	-40~+125	$^\circ\text{C}$

Notes: 1. All voltage values are with respect to the network ground terminal unless otherwise noted.

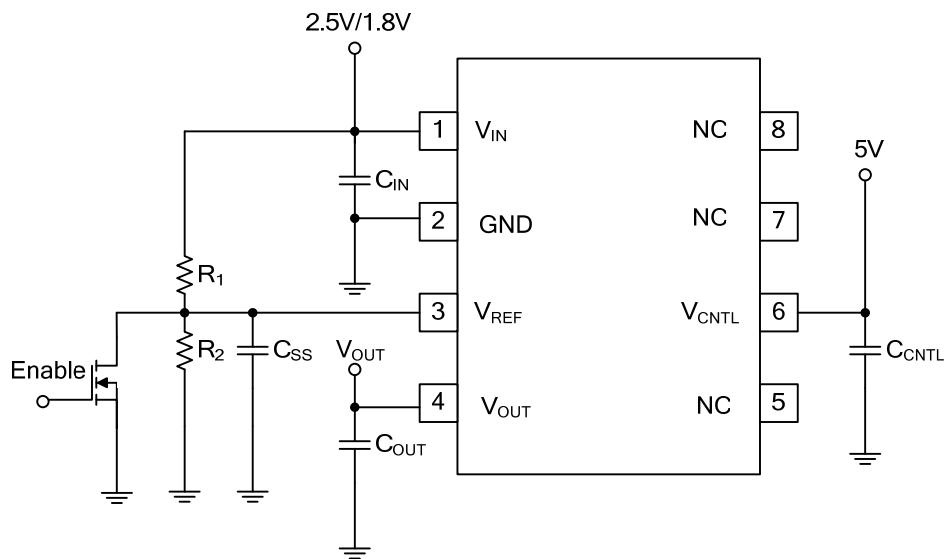
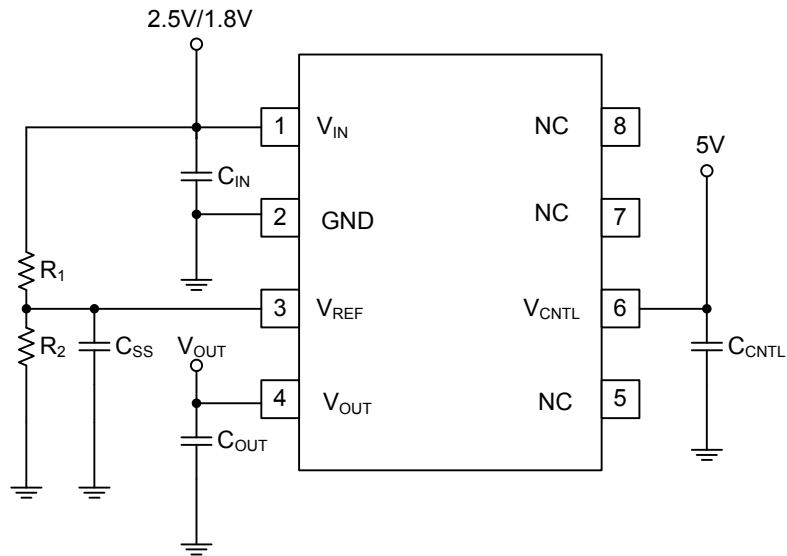
2. The V_{OUT} tracks the V_{REF} with additional voltage offset and load regulation.

■ ELECTRICAL CHARACTERISTICS ($T_A=25^\circ\text{C}$, unless otherwise specified)

($V_{\text{IN}}=1.8\text{V}$, $V_{\text{CNTL}}=5\text{V}$, $V_{\text{REF}}=0.9\text{V}$, $C_{\text{OUT}} = 10\mu\text{F}$ (Ceramic))

PARAMETER	SYMBOL	TEST CONDITIONS	MIN	TYP	MAX	UNIT
INPUT CURRENT						
Operation Current of V_{CNTL}	I_{CNTL}	$I_{\text{OUT}}=0\text{A}$		1	2.5	mA
Standby Current	I_{STB}	$V_{\text{REF}}<0.2\text{V}$, $R_{\text{LOAD}}=180\Omega$		2	90	μA
OUTPUT VOLTAGE (DDR/DDR II/DDR III)						
Output Voltage Offset ($V_{\text{REF}}-V_{\text{OUT}}$)	V_{OS}	$I_{\text{OUT}}=0\text{A}$	-20		20	mV
Load Regulation	ΔV_{LOAD}	DDR1/DDR2: $I_{\text{OUT}}=\pm 1.8\text{A}$	-20		20	mV
		DDR3: $I_{\text{OUT}}=\pm 1.5\text{A}$	-20		20	mV
PROTECTION						
Current Limit	I_{LIMIT}	$V_{\text{IN}}=2.5\text{V}/1.8\text{V}$	2			A
		$V_{\text{IN}}=1.5\text{V}$	1.5			A
Thermal Shutdown Temperature	T_{SD}	$V_{\text{CNTL}}=5\text{V}$	125	170		$^\circ\text{C}$
Thermal Shutdown Hysteresis	ΔT_{SD}	$V_{\text{CNTL}}=5\text{V}$		35		$^\circ\text{C}$
V_{REF} Shutdown						
Shutdown Threshold	V_{IH}	Enable	0.6			V
	V_{IL}	Shutdown			0.15	V

■ TYPICAL APPLICATIONS CIRCUIT

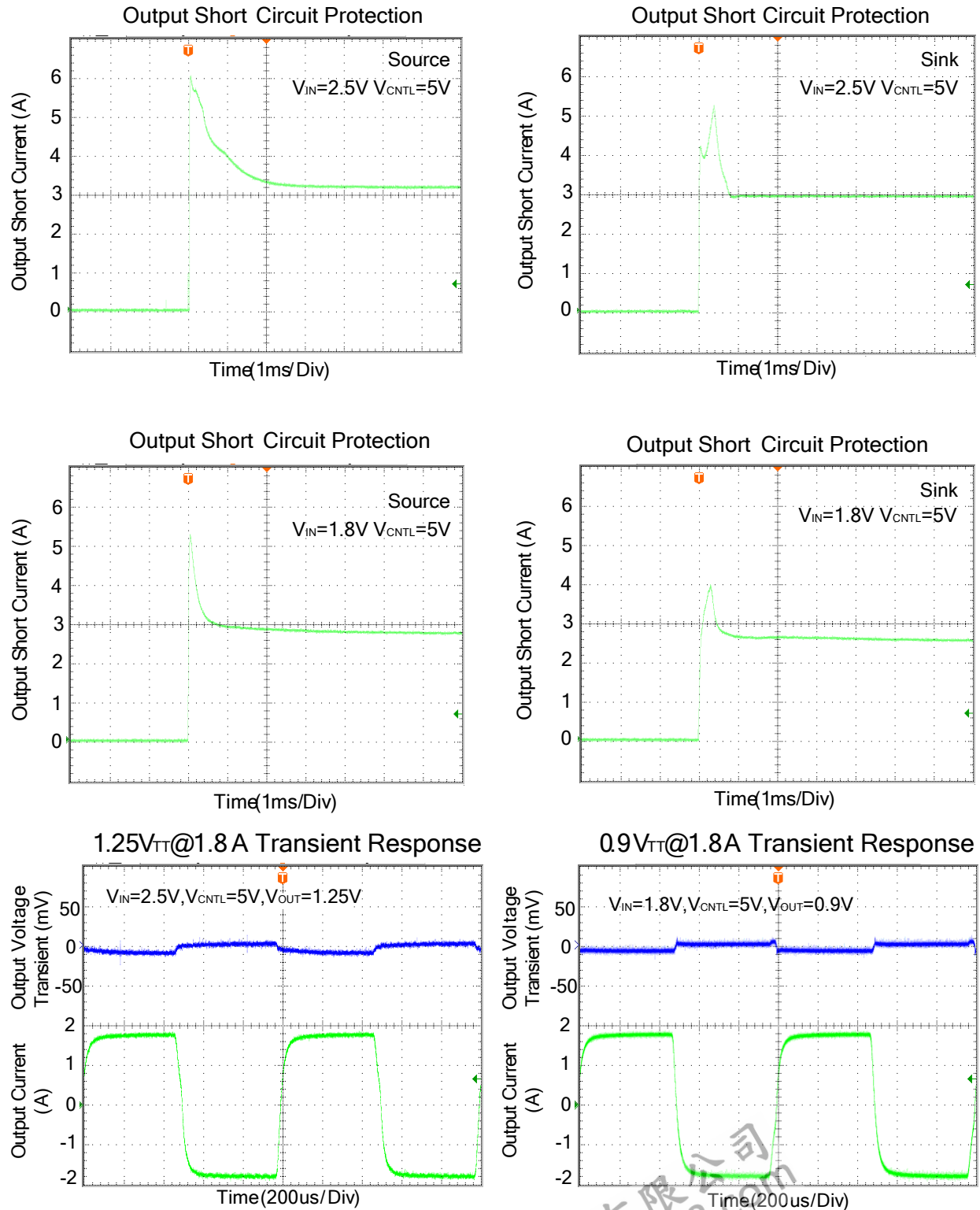


$R_1=R_2=100\text{K}\Omega$, $C_{OUT}=10\mu\text{F}(\text{Ceramic})+1000\mu\text{F}$ under the worst case testing condition

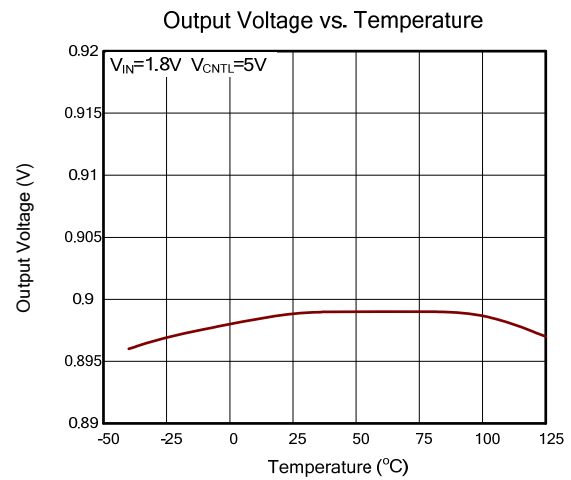
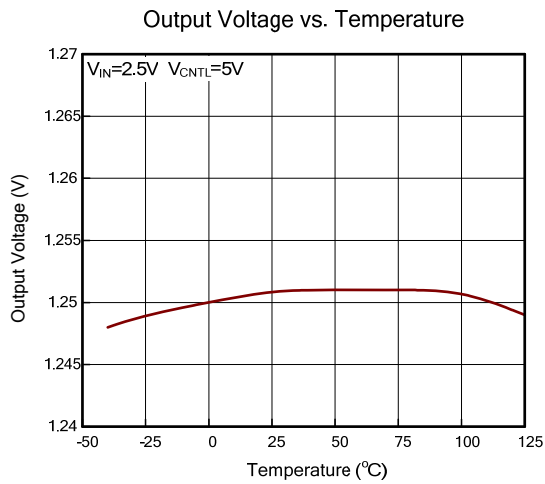
$C_{SS}=1\mu\text{F}$, $C_{IN}=470\mu\text{F}(\text{Low ESR})$, $C_{CNTL}=47\mu\text{F}$

$$V_{REF} = \frac{R_2}{R_1 + R_2} V_{IN}(V), V_{OUT} \text{ track } V_{REF}$$

■ TYPICAL CHARACTERISTICS



■ TYPICAL CHARACTERISTICS(Cont.)



UTC assumes no responsibility for equipment failures that result from using products at values that exceed, even momentarily, rated values (such as maximum ratings, operating condition ranges, or other parameters) listed in products specifications of any and all UTC products described or contained herein. UTC products are not designed for use in life support appliances, devices or systems where malfunction of these products can be reasonably expected to result in personal injury. Reproduction in whole or in part is prohibited without the prior written consent of the copyright owner. The information presented in this document does not form part of any quotation or contract, is believed to be accurate and reliable and may be changed without notice.