



USL250X

CMOS IC

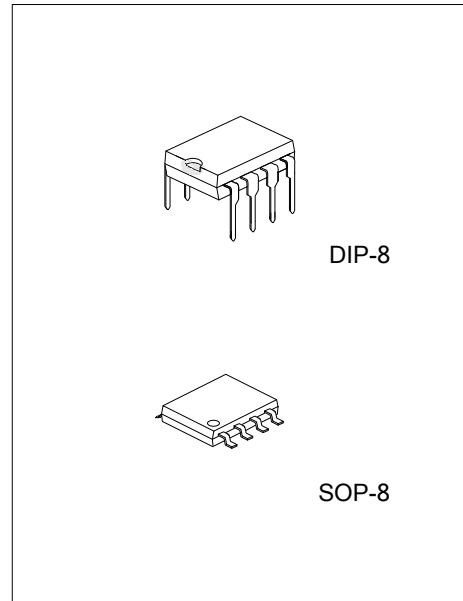
HIGH PRECISION NON-ISOLATED POWER SWITCH

DESCRIPTION

USL250X offers comprehensive protection coverage with auto-recovery features including LED string short circuit protection, cycle-by-cycle current limiting, built-in leading edge blanking, V_{DD} under voltage lockout (UVLO), over temperature protection(OTP), etc.

Cycle-by-Cycle current limiting is offered in USL250X. The switch current is detected by a sense resistor into the CS pin. An internal leading edge blanking circuit chops off the sensed voltage spike at initial power MOSFET on state so that the external RC filtering on sense input is no longer needed.

It is a high current precision, non-isolated power switch for LED lighting. It works under transition mode. The LED lighting system design by eliminating the auxiliary winding inductance and works under low current. A 500V power switch is also integrated into the device. The LED current can be adjusted externally by the sense resistor R_s at CS pin and high precision constant current regulation is realized.



FEATURES

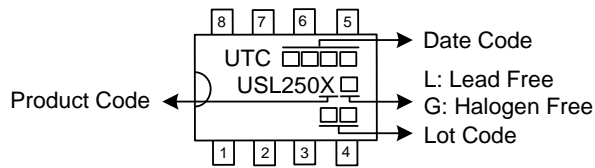
- * High precision constant current regulation at universal AC input
- * Support system application with PF>0.7 and no flicking
- * Sense and supply without auxiliary winding inductance
- * Low system cost and high efficiency
- * Low operation current
- * Programmable CC regulation
- * Transition mode operation
- * LED string short circuit protection
- * Cycle-by-Cycle current limiting
- * Built-in Leading Edge Blanking (LEB)
- * V_{DD} Under Voltage Lockout with Hysteresis
- * Over temperature protection (OTP)

ORDERING INFORMATION

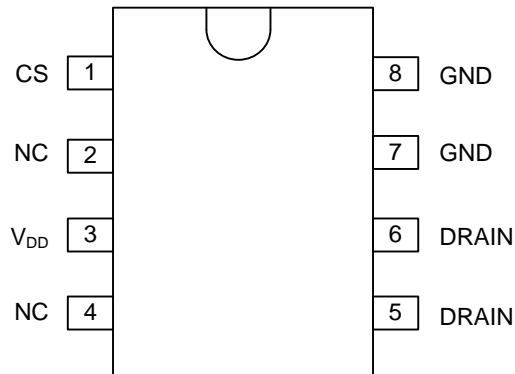
Ordering Number		Package	Packing
Lead Free	Halogen Free		
USL2500L-S08-R	USL2500G-S08-R	SOP-8	Tape Reel
USL2502L-D08-T	USL2502G-D08-T	DIP-8	Tube

USL250XG-S08-R	(1)Packing Type (2)Package Type (3)Green Package (4)Product Code	(1) R: Tape Reel, T: Tube (2) S08: SOP-8, D08: DIP-8 (3) G: Halogen Free and Lead Free, L: Lead Free (4) refer to ORDERING INFORMATION
----------------	---	---

MARKING



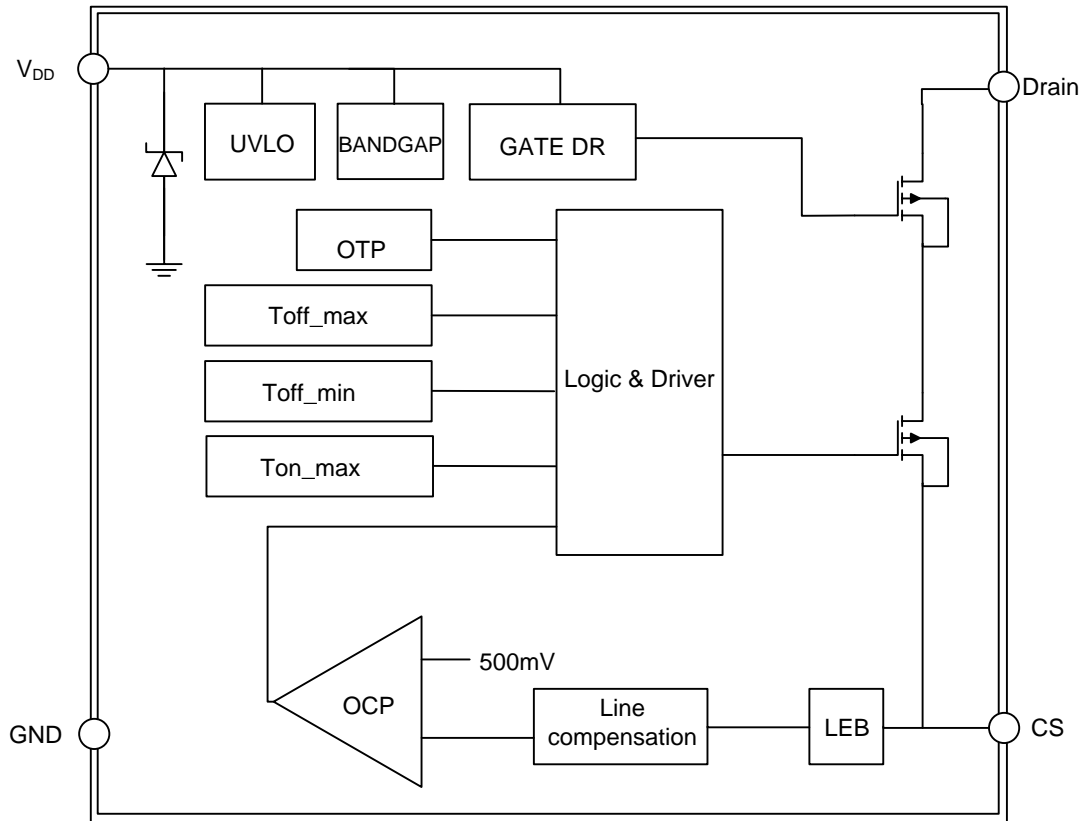
PIN CONFIGURATION



PIN DESCRIPTION

PIN NO.	PIN NAME	DESCRIPTION
1	CS	Current sensing terminal
2	NC	No Connection
3	V _{DD}	Power supply Input
4	NC	No connection
5	Drain	MOSFET Drain Terminal
6	Drain	MOSFET Drain Terminal
7	GND	Power Ground, suggest to be left floating with no pad in PCB layout.
8	GND	Power Ground, suggest to be left floating with no pad in PCB layout.

■ BLOCK DIAGRAM



■ ABSOLUTE MAXIMUM RATING (T_A=25°C, unless otherwise specified)

PARAMETER	SYMBOL	RATINGS	UNIT
VDD Voltage	V _{DD}	-0.3 ~ 20	V
DRAIN Voltage	I _{DR}	-0.3 ~ 500	V
CS Input Voltage	V _{CS}	-0.3 ~ 7	V
Min/Max Operating junction Temperature T _J	T _A	-40 ~ +150	°C
Min/Max Storage Temperature T _A	T _S	-55 ~ +150	°C
Operating Ambient Temperature	T _{OPR}	-40 ~ +85	°C

Note: Absolute maximum ratings are those values beyond which the device could be permanently damaged. Absolute maximum ratings are stress ratings only and functional device operation is not implied.

■ OPERATING RANGE

PARAMETER	SYMBOL	RATINGS	UNIT
Input Voltage	V _{IN}	8 ~ 10.5	V
Ambient Temperature	T _A	-40 ~ +105	°C
Junction Temperature	T _J	-40 ~ +125	°C

■ ELECTRICAL CHARACTERISTICS (T_A=25°C, V_{CC}=12V, unless otherwise specified)

PARAMETER	SYMBOL	TEST CONDITIONS	MIN	TYP	MAX	UNIT
POWER SUPPLY SECTION						
Start up current	I _{START-UP}	V _{DD} =U _{VLO(OFF)} -1V		170	200	uA
Operation current	I _{OPER}	V _{DD} =11.5V, No Loading		145	210	uA
V _{DD} under voltage lockout exit	U _{VLO(ON)}			11		V
V _{DD} under voltage lockout enter	U _{VLO(OFF)}			8.5		V
V _{DD} CLAMP	V _{DD_CLAMP}	V _{DD} current 1mA		12.5		V
CURRENT SENSE INPUT SECTION						
LEB time	T _{LEB}			0.4		uS
Over current threshold	V _{TH_OCP}		485	500	515	mV
OCP propagation delay	T _{D_OC}	From OCP comparator to gate drive		100		nS
Maximum off time	T _{OFF_MAX}			50		uS
Minimum off time	T _{OFF_MIN}			5		uS
Maximum on time	T _{ON_MAX}			30		uS
SOURCE DRIVE SECTION						
Source drive low side on resistor	R _{DS(ON)_LOW}			1.3		Ω
OTP SECTION						
Over temperature protection	OTP			150		°C
POOWER MOSFET SECTION						
MOSFET Drain-Source Breakdown Voltage	BV _{DSS}		500			V
On resistance	R _{DS(ON)}	USL2502		5		Ω
		USL2500		18		Ω

■ OUTPUT POWER TABLE

PARAMETER	TEST CONDITIONS	RATINGS	UNIT
Output Power	USL2500 90Vac~264Vac I _{LED} <200mA	6.6	W
	USL2502 Input I _{LED} <350mA	18	W
	USL2500 220Vac±20% I _{LED} <200mA	11	W
	USL2502 Input I _{LED} <350mA	29	W

■ OUTPUT DESCRIPTION

USL250X is a high current precision, non-isolated power switch for LED lighting working under transition mode. It significantly simplifies the LED lighting system design by eliminating the auxiliary winding inductance and works under low current. A 500V power switch is also integrated into the device.

Start up Control

Startup process is realized by charging V_{DD} capacitor. When V_{DD} voltage reaches up to $U_{VLO(OFF)}$, the inner circuit works. A 12.5V (typical) clamp circuit is applied to clamp V_{DD} voltage. At work state, no auxiliary winding inductance is necessary.

Principle of CC Operation

For buck type operating in transition mode, the peak voltage of CS is detected cycle-by-cycle, and compared with internal reference voltage, V_{TH_OCP} (typical value 500mV). When the voltage at CS pin is up to the threshold voltage, the power switch will be turned off.

$$I_{PK} = \frac{V_{TH_OCP}}{R_{CS}}$$

Where, R_{CS} indicates the resistor at CS pin for primary side current sensing. Refer to the equation 1, LED output current is

$$I_{LED} = \frac{I_{PK}}{2} = \frac{V_{TH_OCP}}{2 \times R_{CS}}$$

USL250X works under transition mode and the on-time for power switch is

$$T_{ON} = \frac{L \times I_{PK}}{V_{IN} - V_{LED}}$$

Where L is the inductor of transformer at primary-side winding, V_{IN} is line voltage after rectifying and V_{LED} is the voltage at LED.

When power switch turns off, the current flowing in the inductor will reduce to zero and the power switch will turn on after then. The off-time for power switch is

$$T_{OFF} = \frac{L \times I_{PK}}{V_{LED}}$$

The inductor could also be calculated by

$$L = \frac{V_{LED} \times (V_{IN} - V_{LED})}{F \times I_{PK} \times V_{IN}}$$

Where, F is the working frequency. The working frequency changes with input voltage. The lowest input voltage determines the lowest working frequency and the highest input voltage determines the highest working frequency.

The minimum and maximum off-time are set in **USL250X**. Therefore, the value of inductor should be carefully designed to achieve good LED output current, according to equation 4.

Inner Line Compensation

USL250X provides internal line compensation, therefore no outside sensing devices are needed. The compensated voltage is added to CS voltage cycle-by-cycle and LED output current is kept constant under different line voltage.

■ OUTPUT DESCRIPTION (Cont.)

Current Sensing and Leading Edge Blanking

Cycle-by-Cycle current limiting is offered in **USL250X**. The switch current is detected by a sense resistor into the CS pin. An internal leading edge blanking circuit chops off the sensed voltage spike at initial power MOSFET on state so that the external RC filtering on sense input is no longer needed.

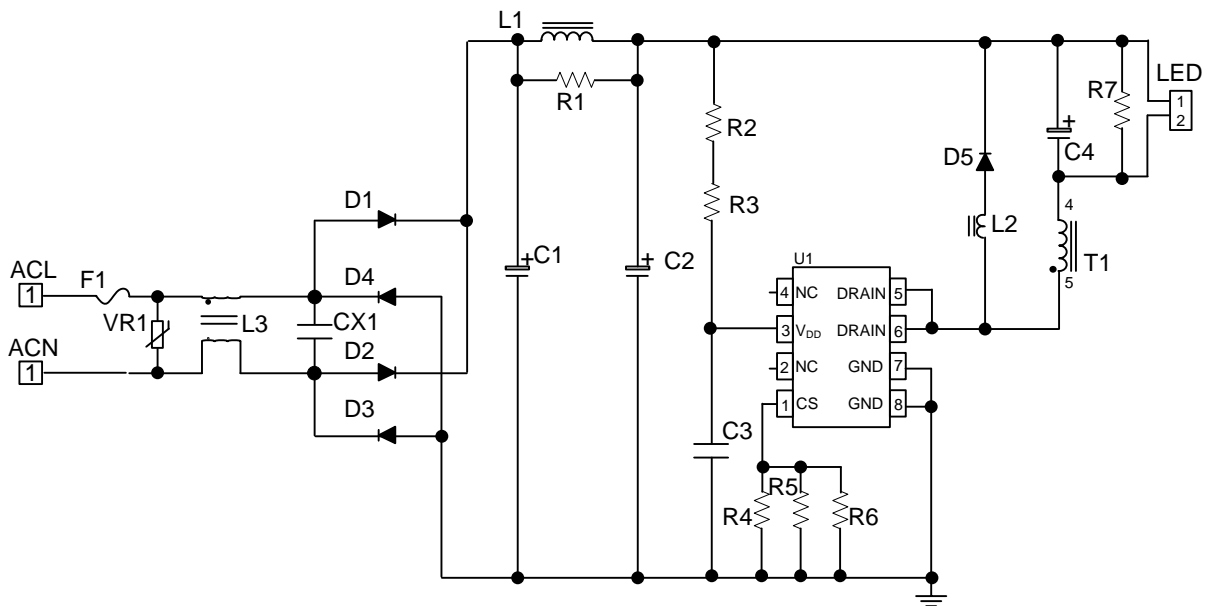
Protection

USL250X offers comprehensive protection coverage with auto-recovery features including LED string short circuit protection.

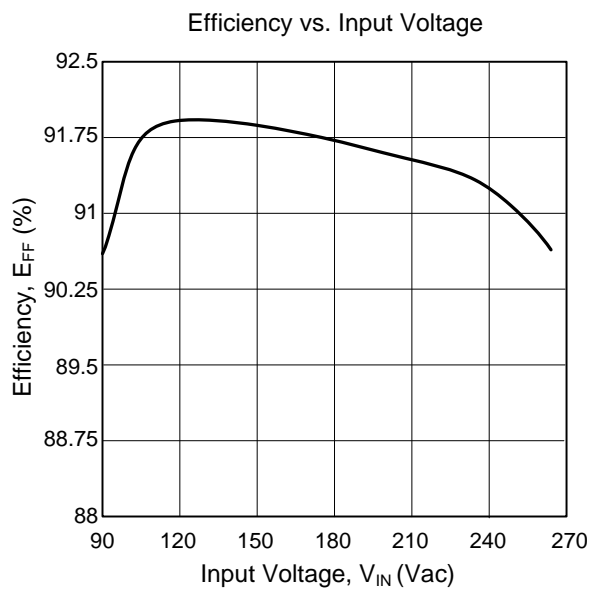
USL250X detects the states of LED. When LED string short circuit occurs, the switching frequency is reduced to the minimum switching frequency with maximum T_{OFF} time. **USL250X** resumes normal operation after the fault condition is removed.

Over temperature protection is offered in **USL250X**. When temperature rises above 150°C (typical), switching will be stopped. The normal operation is resumed until the temperature falls below 100°C (typical).

■ TYPICAL APPLICATION CIRCUIT



■ TYPICAL CHARACTERISTICS



UTC assumes no responsibility for equipment failures that result from using products at values that exceed, even momentarily, rated values (such as maximum ratings, operating condition ranges, or other parameters) listed in products specifications of any and all UTC products described or contained herein. UTC products are not designed for use in life support appliances, devices or systems where malfunction of these products can be reasonably expected to result in personal injury. Reproduction in whole or in part is prohibited without the prior written consent of the copyright owner. UTC reserves the right to make changes to information published in this document, including without limitation specifications and product descriptions, at any time and without notice. This document supersedes and replaces all information supplied prior to the publication hereof.