



## UT85N03

Power MOSFET

### 85 Amps, 30 Volts N-CHANNEL POWER MOSFET

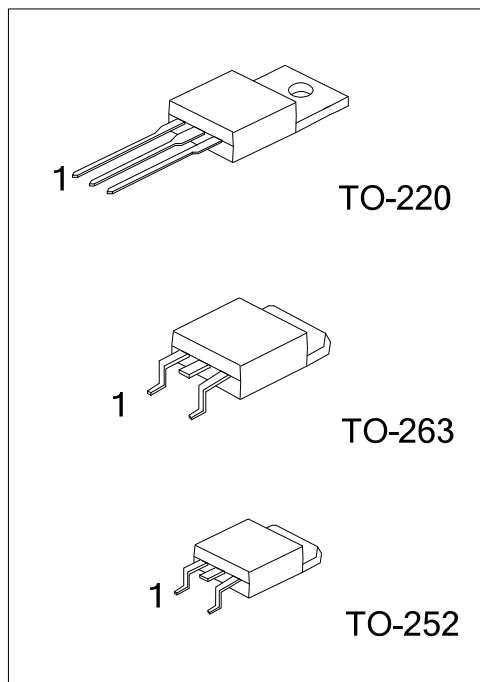
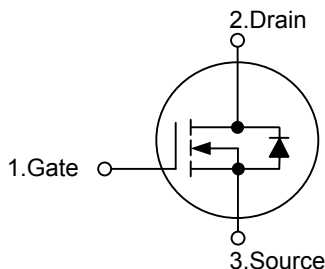
#### DESCRIPTION

The **UT85N03** uses advanced technology to provide excellent  $R_{DS(ON)}$ , low gate charge and operation with low gate voltages. This device is suited for all low voltage applications.

#### FEATURES

- \*  $R_{DS(ON)} < 6 \text{ m}\Omega @ V_{GS} = 10\text{V}$
- \*  $R_{DS(ON)} < 10\text{m}\Omega @ V_{GS} = 4.5\text{V}$
- \* Low Reverse Capacitance (  $C_{RSS} = \text{Typical: } 380 \text{ pF}$  )
- \* Fast Switching Capability
- \* Avalanche Energy Specified
- \* Improved dv/dt Capability, High Ruggedness

#### SYMBOL



#### ORDERING INFORMATION

Ordering Number		Package	Pin Assignment			Packing
Lead Free	Halogen Free		1	2	3	
UT85N03L-TA3-T	UT85N03G-TA3-T	TO-220	G	D	S	Tube
UT85N03L-TN3-T	UT85N03G-TN3-T	TO-252	G	D	S	Tube
UT85N03L-TN3-R	UT85N03G-TN3-R	TO-252	G	D	S	Tape Reel
UT85N03L-TQ2-T	UT85N03G-TQ2-T	TO-263	G	D	S	Tube
UT85N03L-TQ2-R	UT85N03G-TQ2-R	TO-263	G	D	S	Tape Reel

<p>UT85N03L-TN3-T</p> <p>(1)Packing Type</p> <p>(2)Package Type</p> <p>(3)Lead Free</p>	<p>(1) T: Tube, R: Tape Reel</p> <p>(2) TA3: TO-220, TN3: TO-252, TQ2: TO-263</p> <p>(3) L: Lead Free, G: Halogen Free</p>
---	--

### ■ ABSOLUTE MAXIMUM RATINGS (T<sub>C</sub>=25°C)

PARAMETER		SYMBOL	RATINGS	UNIT
Drain-Source Voltage		V <sub>DSS</sub>	30	V
Gate-Source Voltage		V <sub>GSS</sub>	±20	V
Drain Current		I <sub>D</sub>	85	A
Pulsed Drain Current		I <sub>DM</sub>	350	A
Total Power Dissipation	TO-220/TO-263	P <sub>D</sub>	83	W
	TO-252		56	
Junction Temperature		T <sub>J</sub>	+75	°C
Strong Temperature		T <sub>STG</sub>	-55 ~ +175	°C

Note: Absolute maximum ratings are those values beyond which the device could be permanently damaged.

Absolute maximum ratings are stress ratings only and functional device operation is not implied.

### ■ THERMAL DATA

PARAMETER		SYMBOL	RATINGS	UNIT
Junction to Ambient	TO-220/TO-263	θ <sub>JA</sub>	62.5	°C/W
	TO-252		110	
Junction to Case	TO-220/TO-263	θ <sub>JC</sub>	1.8	°C/W
	TO-252		2.7	

### ■ ELECTRICAL CHARACTERISTICS (T<sub>J</sub>=25°C, unless otherwise specified)

PARAMETER	SYMBOL	TEST CONDITIONS	MIN	TYP	MAX	UNIT
<b>OFF CHARACTERISTICS</b>						
Drain-Source Breakdown Voltage	BV <sub>DSS</sub>	V <sub>GS</sub> =0V, I <sub>D</sub> =250μA	30			V
Breakdown Voltage Temperature Coefficient	ΔBV <sub>DSS</sub> /ΔT <sub>J</sub>	I <sub>D</sub> =1mA, Reference to 25°C		0.018		V/°C
Drain-Source Leakage Current	I <sub>DSS</sub>	V <sub>DS</sub> =30V, V <sub>GS</sub> =0V			1	μA
Gate-Source Leakage Current	I <sub>GSS</sub>	V <sub>DS</sub> =0V, V <sub>GS</sub> =±20V			±100	nA
<b>ON CHARACTERISTICS</b>						
Gate Threshold Voltage	V <sub>GS(TH)</sub>	V <sub>DS</sub> =V <sub>GS</sub> , I <sub>D</sub> =250μA	1		3	V
Static Drain-Source On-Resistance	R <sub>DS(ON)</sub>	V <sub>GS</sub> =10V, I <sub>D</sub> =45A			6	mΩ
		V <sub>GS</sub> =4.5V, I <sub>D</sub> =30A			10	
Forward Transconductance	g <sub>FS</sub>	V <sub>DS</sub> =10V, I <sub>D</sub> =30A		32		S
<b>DYNAMIC PARAMETERS</b>						
Input Capacitance	C <sub>ISS</sub>	V <sub>DS</sub> =25V, V <sub>GS</sub> =0V, f=1.0MHz		2700	4200	pF
Output Capacitance	C <sub>OSS</sub>			550		pF
Reverse Transfer Capacitance	C <sub>RSS</sub>			380		pF
<b>SWITCHING PARAMETERS</b>						
Total Gate Charge (Note)	Q <sub>G</sub>	V <sub>DS</sub> =24V, V <sub>GS</sub> =4.5V, I <sub>D</sub> =30A		240	300	nC
Gate Source Charge	Q <sub>GS</sub>			35		nC
Gate Drain Charge	Q <sub>GD</sub>			78		nC
Turn-ON Delay Time (Note)	t <sub>D(ON)</sub>	V <sub>GS</sub> =10V, V <sub>DS</sub> =15V, R <sub>D</sub> =0.5Ω, R <sub>G</sub> =3.3Ω, I <sub>D</sub> =30A		52		ns
Turn-ON Rise Time	t <sub>R</sub>			100		ns
Turn-OFF Delay Time	t <sub>D(OFF)</sub>			460		ns
Turn-OFF Fall-Time	t <sub>F</sub>			280		ns
<b>SOURCE- DRAIN DIODE RATINGS AND CHARACTERISTICS</b>						
Drain-Source Diode Forward Voltage	V <sub>SD</sub>	I <sub>S</sub> =45A, V <sub>GS</sub> =0V			1.3	V
Body Diode Reverse Recovery Time	t <sub>RR</sub>	I <sub>S</sub> =30A, V <sub>GS</sub> =0V, dI <sub>S</sub> /dt=100A/μs		28		ns
Body Diode Reverse Recovery Charge	Q <sub>RR</sub>			10		nC

Note: Pulse width ≤ 300μs, Duty cycle ≤ 2%

UTC assumes no responsibility for equipment failures that result from using products at values that exceed, even momentarily, rated values (such as maximum ratings, operating condition ranges, or other parameters) listed in products specifications of any and all UTC products described or contained herein. UTC products are not designed for use in life support appliances, devices or systems where malfunction of these products can be reasonably expected to result in personal injury. Reproduction in whole or in part is prohibited without the prior written consent of the copyright owner. The information presented in this document does not form part of any quotation or contract, is believed to be accurate and reliable and may be changed without notice.