



UTT100N08M

POWER MOSFET

100A, 80V N-CHANNEL ENHANCEMENT MODE TRENCH POWER MOSFET

DESCRIPTION

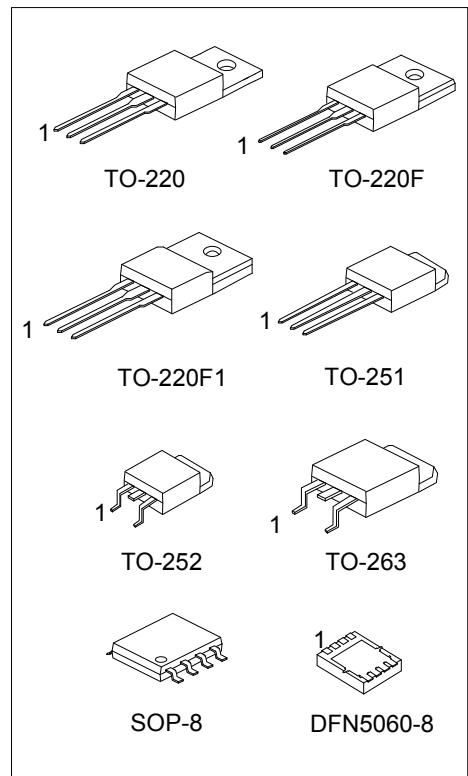
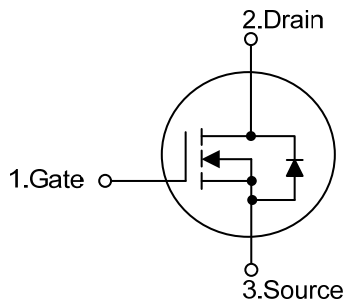
The UTC **UTT100N08M** is a N-channel Power MOSFET, it uses UTC's advanced technology that is uniquely optimized to provide an extremely low on-state resistance and low gate charge, etc.

The UTC **UTT100N08M** is suitable for synchronous rectification in SMPS, UPS, high speed power switching, etc.

FEATURES

- * $R_{DS(ON)} \leq 12m\Omega @ V_{GS}=10V, I_D=40A$
- * $R_{DS(ON)} \leq 14m\Omega @ V_{GS}=4.5V, I_D=20A$
- * High power and current handling capability
- * High speed switching
- * Low gate charge

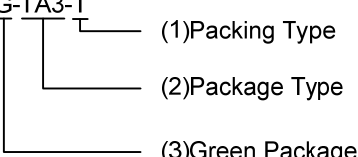
SYMBOL



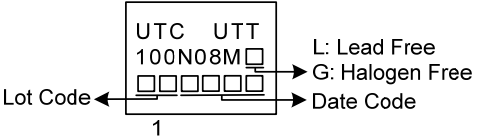
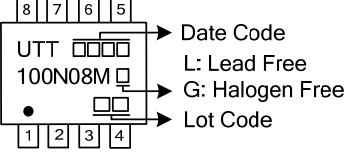
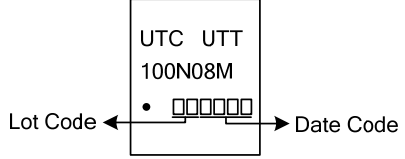
ORDERING INFORMATION

Ordering Number		Package	Pin Assignment								Packing
Lead Free	Halogen Free		1	2	3	4	5	6	7	8	
UTT100N08ML-TA3-T	UTT100N08MG-TA3-T	TO-220	G	D	S	-	-	-	-	-	Tube
UTT100N08ML-TF1-T	UTT100N08MG-TF1-T	TO-220F1	G	D	S	-	-	-	-	-	Tube
UTT100N08ML-TF3-T	UTT100N08MG-TF3-T	TO-220F	G	D	S	-	-	-	-	-	Tube
UTT100N08ML-TM3-T	UTT100N08MG-TM3-T	TO-251	G	D	S	-	-	-	-	-	Tube
UTT100N08ML-TN3-R	UTT100N08MG-TN3-R	TO-252	G	D	S	-	-	-	-	-	Tape Reel
UTT100N08ML-TQ2-T	UTT100N08MG-TQ2-T	TO-263	G	D	S						Tube
UTT100N08ML-TQ2-R	UTT100N08MG-TQ2-R	TO-263	G	D	S						Tape Reel
UTT100N08ML-S08-R	UTT100N08MG-S08-R	SOP-8	S	S	S	G	D	D	D	D	Tape Reel
UTT100N08ML-K08-5060-R	UTT100N08MG-K08-5060-R	DFN5060-8	S	S	S	G	D	D	D	D	Tape Reel

Note: Pin Assignment: G: Gate D: Drain S: Source

<p>UTT100N08MG-TA3-T</p>  <p>(1) Packing Type (2) Package Type (3) Green Package</p>	<p>(1) T: Tube, R: Tape Reel (2) TA3: TO-220, TF1: TO-220F1, TF3: TO-220F, TM3: TO-251, TN3: TO-252, S08: SOP-8, K08-5060: DFN5060-8 (3) G: Halogen Free and Lead Free, L: Lead Free</p>
---	--

MARKING

Package	Marking
TO-220 TO-220F TO-220F1 TO-251 TO-252 TO-263	 <p>UTC UTT 100N08M □ □ □ □ □ □ □ □</p> <p>Lot Code ← → Date Code</p> <p>1</p> <p>L: Lead Free G: Halogen Free</p>
SOP-8	 <p>8 7 6 5 UTT □ □ □ □ □ □ □ □ 1 2 3 4</p> <p>Lot Code ← → Date Code</p> <p>L: Lead Free G: Halogen Free</p>
DFN5060-8	 <p>UTC UTT 100N08M □ □ □ □ □ □ □ □</p> <p>Lot Code ← → Date Code</p>



■ ABSOLUTE MAXIMUM RATING (T_A=25°C, unless otherwise specified)

PARAMETER		SYMBOL	RATINGS	UNIT
Drain-Source Voltage		V _{DSS}	80	V
Gate-Source Voltage		V _{GSS}	±20	V
Drain Current (T _C =25°C) (Note2)	Continuous	TO-220/TO-220F TO-220F1/TO-263	100	A
		TO-251/TO-252	80	A
		SOP-8	34	A
		DFN5060-8	50	A
		Pulsed Drain Current (Note 3)	I _{DM}	200
Avalanche Current		I _{AS}	50	A
Avalanche Energy (Note4)		E _{AS}	140.5	mJ
Power Dissipation (T _C =25°C)		TO-220/TO-263	154	W
		TO-220F TO-220F1	35	W
		TO-251 TO-252	60	W
		SOP-8	7.5	W
		DFN5060-8	56	W
Junction Temperature		T _J	+150	°C
Storage Temperature Range		T _{STG}	-55 ~ +150	°C

Notes: 1. Absolute maximum ratings are those values beyond which the device could be permanently damaged.

Absolute maximum ratings are stress ratings only and functional device operation is not implied.

2. Current limited by bond wire.

3. Repetitive Rating: Pulse width limited by maximum junction temperature.

4. L=0.1mH, I_{AS}=53A, V_{DD}=50V, R_G=25Ω, Starting T_J = 25°C

5. I_{SD} ≤ 20A, di/dt ≤ 200A/μs, V_{DD} ≤ BV_{DSS}, Starting T_J = 150°C

■ THERMAL RESISTANCES CHARACTERISTICS

PARAMETER		SYMBOL	RATINGS	UNIT
Junction to Ambient	steady state	TO-220/TO-263 TO-220F TO-220F1	62.5	°C/W
		TO-251 TO-252	110	°C/W
		SOP-8	50 (Note)	°C/W
		DFN5060-8	40.3 (Note)	°C/W
		Junction to Case	steady state	TO-220/TO-263
TO-220F TO-220F1	3.57	°C/W		
TO-251 TO-252	2.08 (Note)	°C/W		
SOP-8	16.67 (Note)	°C/W		
DFN5060-8	2.23 (Note)	°C/W		

Note: The data tested by surface mounted on a 1 inch² FR-4 board with 2OZ copper.

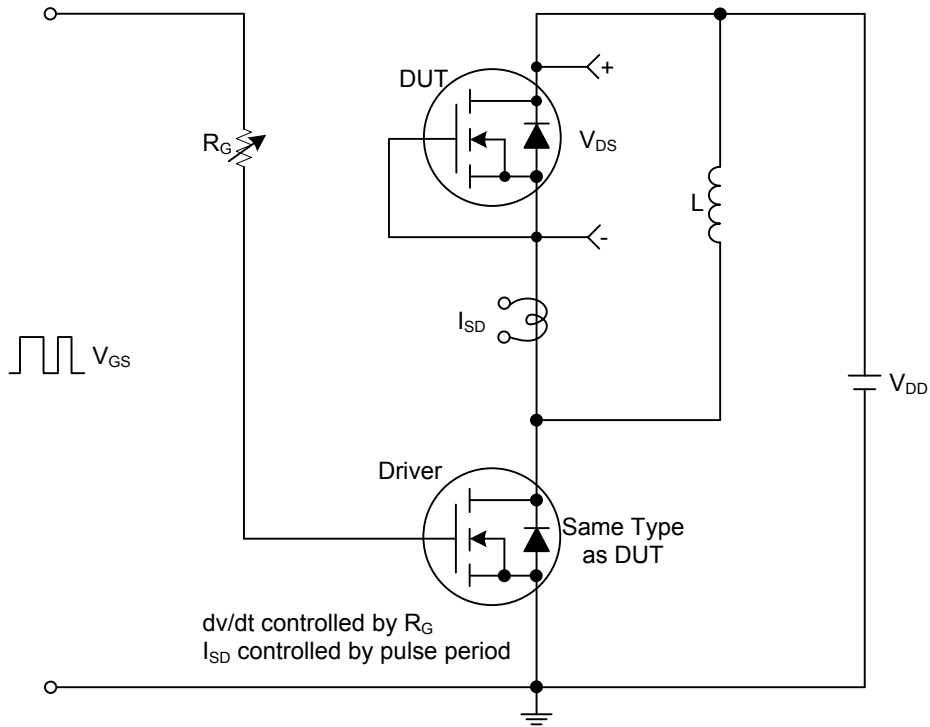
■ ELECTRICAL CHARACTERISTICS (T_A =25°C, unless otherwise specified)

PARAMETER	SYMBOL	TEST CONDITIONS	MIN	TYP	MAX	UNIT
OFF CHARACTERISTICS						
Drain-Source Breakdown Voltage	BV _{DSS}	I _D =250μA, V _{GS} =0V	80			V
Drain-Source Leakage Current	I _{DSS}	V _{DS} =80V, V _{GS} =0V			1	μA
Gate-Source Leakage Current	Forward	I _{GSS} V _{GS} =+20V, V _{DS} =0V V _{GS} =-20V, V _{DS} =0V			+100	nA
	Reverse				-100	nA
ON CHARACTERISTICS						
Gate Threshold Voltage	V _{GS(TH)}	V _{DS} =V _{GS} , I _D =250μA	1.0		3.0	V
Static Drain-Source On-State Resistance	R _{DS(ON)}	V _{GS} =10V, I _D =40A			12	mΩ
		V _{GS} =4.5V, I _D =20A			14	mΩ
DYNAMIC PARAMETERS						
Input Capacitance	C _{ISS}	V _{GS} =0V, V _{DS} =25V, f=1.0MHz		5503		pF
Output Capacitance	C _{OSS}			356		pF
Reverse Transfer Capacitance	C _{RSS}			172		pF
SWITCHING PARAMETERS						
Total Gate Charge (Note)	Q _G	V _{DS} =40V, V _{GS} =10V, I _D =100A I _G =100μA (Note1,2)		81		nC
Gate to Source Charge	Q _{GS}			23		nC
Gate to Drain Charge	Q _{GD}			8		nC
Turn-on Delay Time (Note)	t _{D(ON)}	V _{DD} =40V, V _{GS} =10V, I _D =100A, R _G =3.3Ω (Note1,2)		16		ns
Rise Time	t _R			17.5		ns
Turn-off Delay Time	t _{D(OFF)}			56		ns
Fall-Time	t _F			21		ns
SOURCE- DRAIN DIODE RATINGS AND CHARACTERISTICS						
Maximum Body-Diode Continuous Current	I _S				100	A
Maximum Body-Diode Pulsed Current	I _{SM}				200	A
Drain-Source Diode Forward Voltage (Note)	V _{SD}	I _F =100A, V _{GS} =0V		0.85	1.4	V
Body Diode Reverse Recovery Time (Note)	t _{rr}	I _F =30A, dI _S /dt=100A/μs		33		ns
Body Diode Reverse Recovery Charge	Q _{rr}				31	

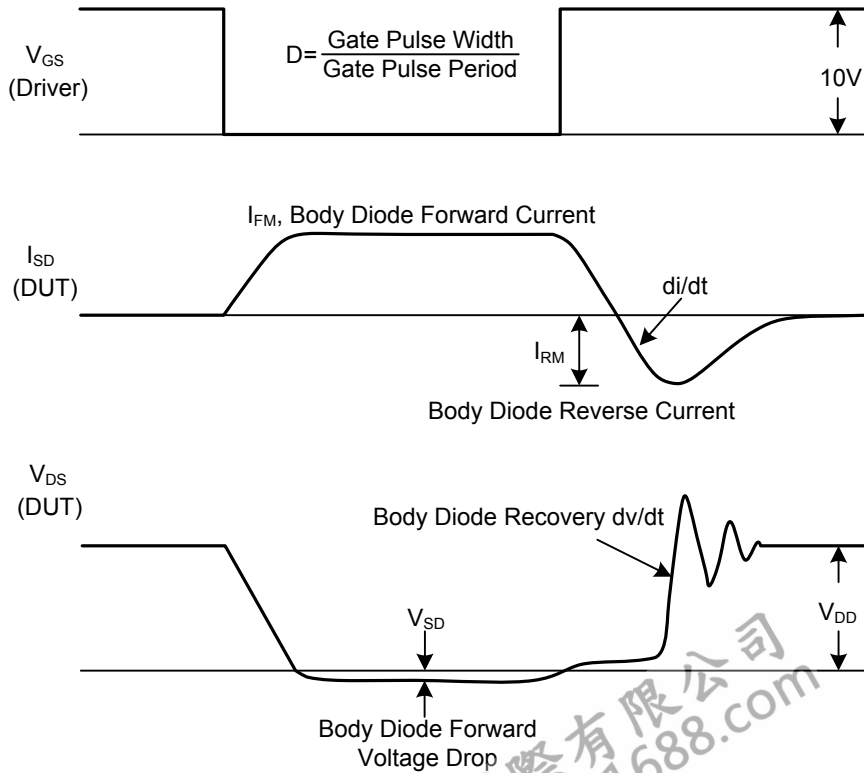
Notes: 1. Pulse Test: Pulse width ≤ 300μs, Duty cycle ≤ 2%.

2. Essentially independent of operating temperature.

TEST CIRCUITS AND WAVEFORMS



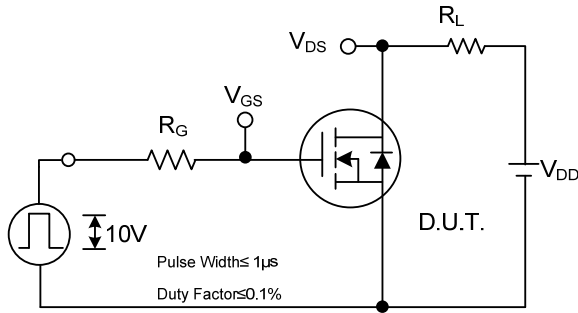
Peak Diode Recovery dv/dt Test Circuit



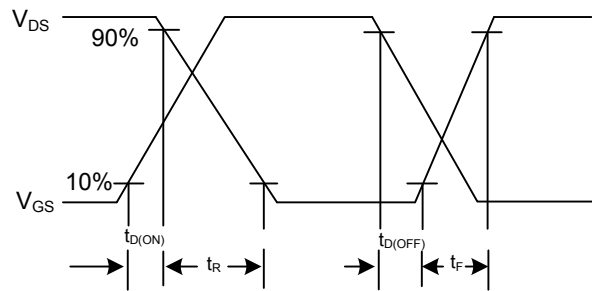
Peak Diode Recovery dv/dt Test Circuit and Waveforms

Peak Diode Recovery dv/dt Waveforms

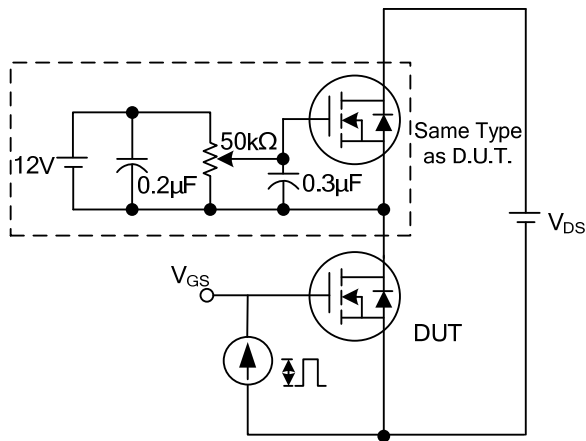
TEST CIRCUITS AND WAVEFORMS



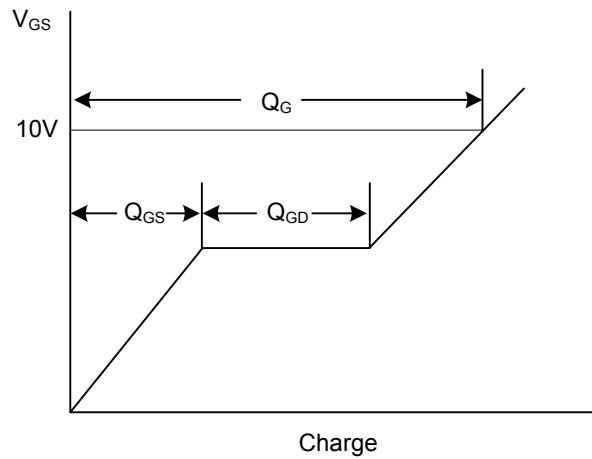
Switching Test Circuit



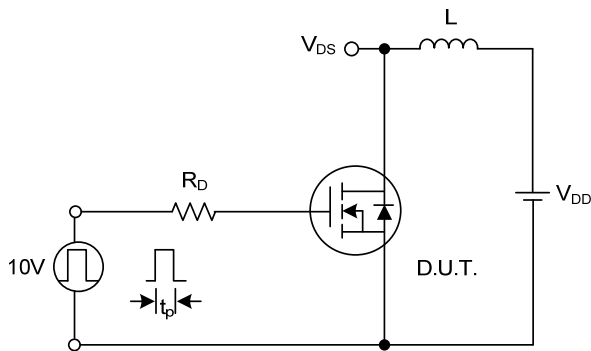
Switching Waveforms



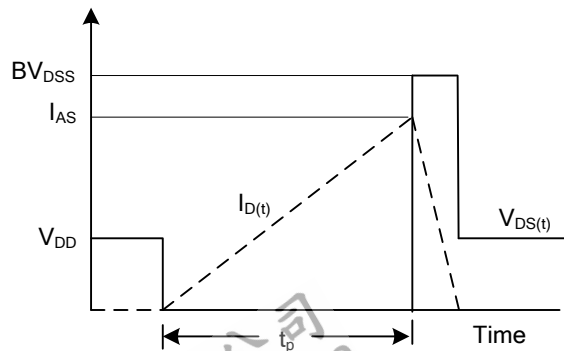
Gate Charge Test Circuit



Gate Charge Waveform

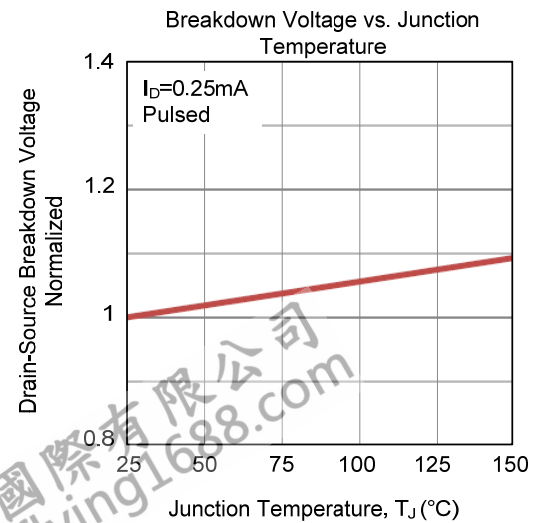
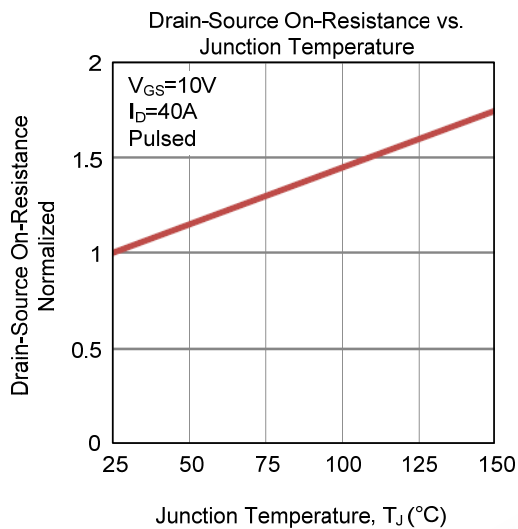
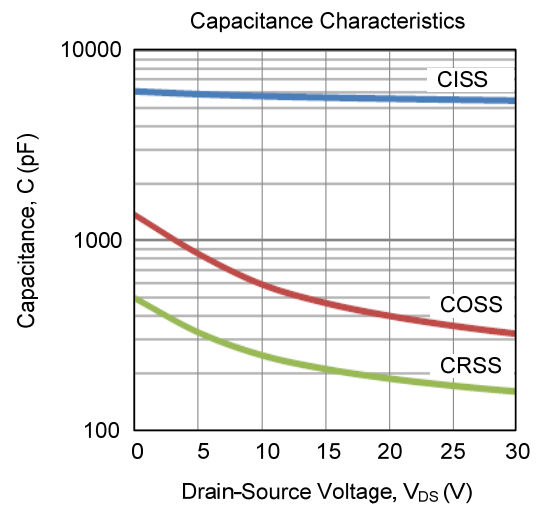
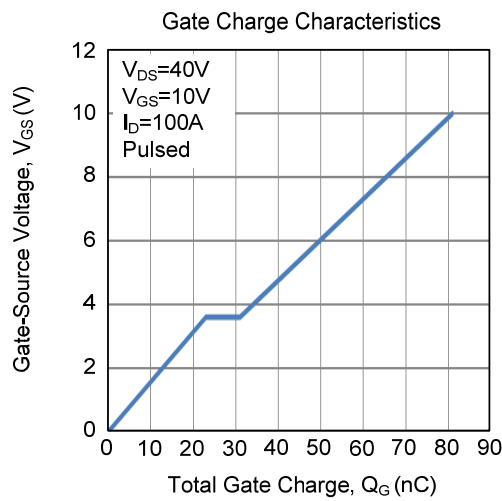
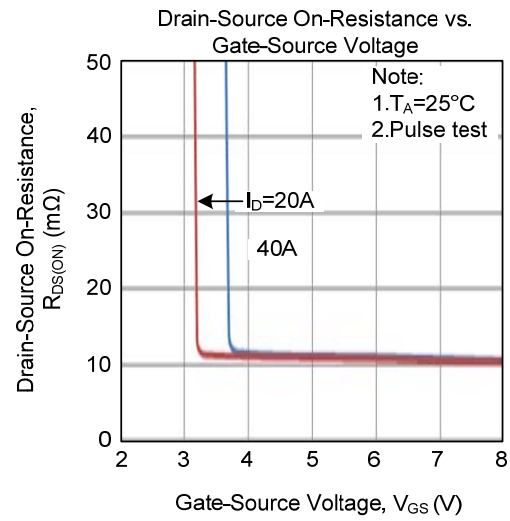
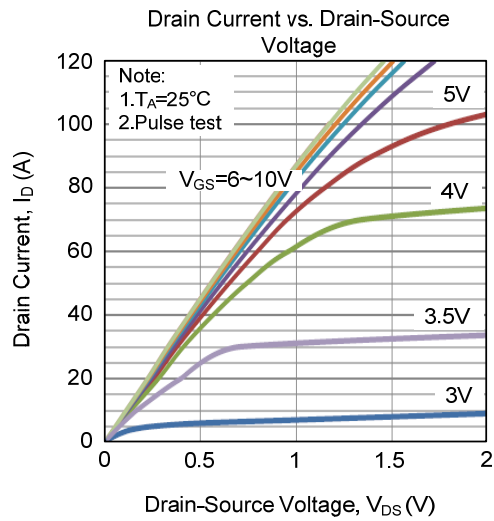


Unclamped Inductive Switching Test Circuit

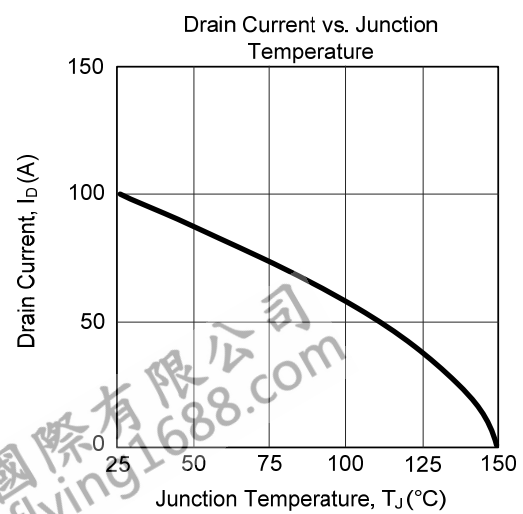
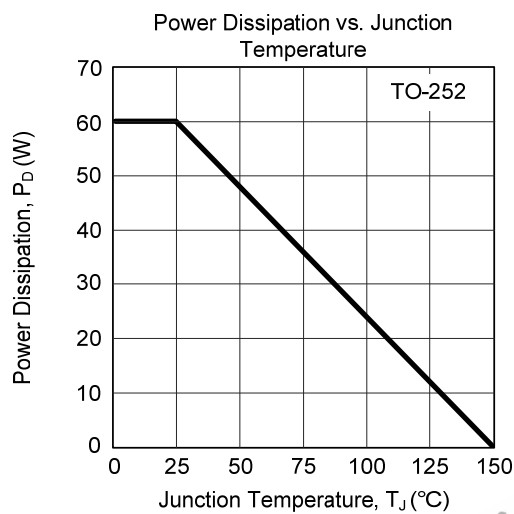
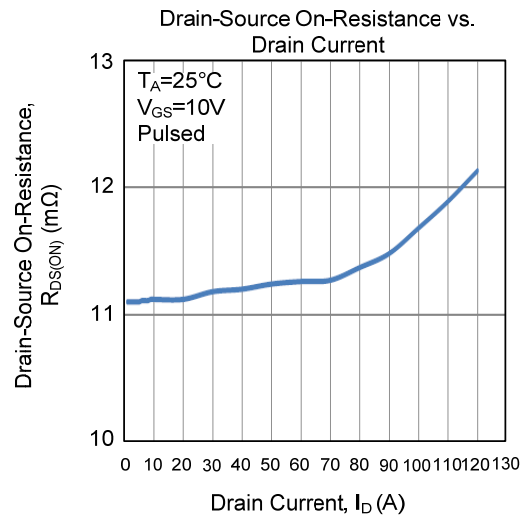
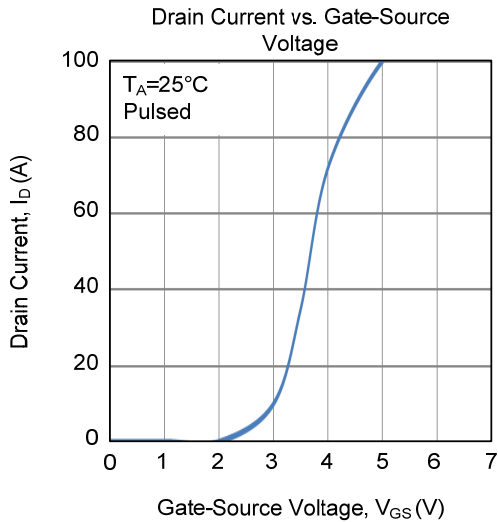
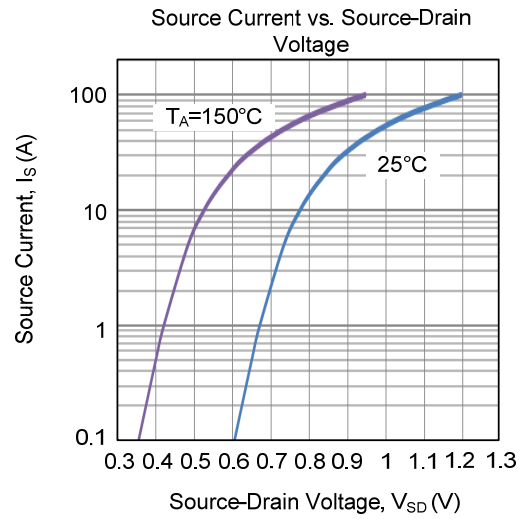
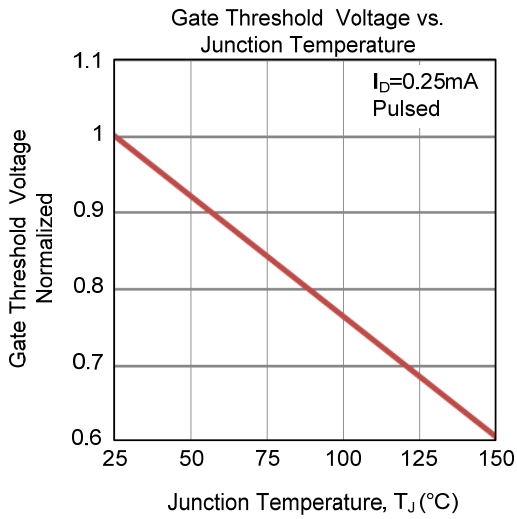


Unclamped Inductive Switching Waveforms

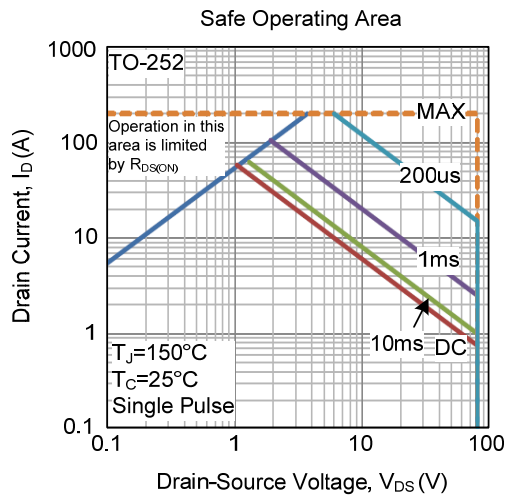
TYPICAL CHARACTERISTICS



■ TYPICAL CHARACTERISTICS (Cont.)



■ TYPICAL CHARACTERISTICS (Cont.)



UTC assumes no responsibility for equipment failures that result from using products at values that exceed, even momentarily, rated values (such as maximum ratings, operating condition ranges, or other parameters) listed in products specifications of any and all UTC products described or contained herein. UTC products are not designed for use in life support appliances, devices or systems where malfunction of these products can be reasonably expected to result in personal injury. Reproduction in whole or in part is prohibited without the prior written consent of the copyright owner. UTC reserves the right to make changes to information published in this document, including without limitation specifications and product descriptions, at any time and without notice. This document supersedes and replaces all information supplied prior to the publication hereof.