



UTT15NN06

Power MOSFET

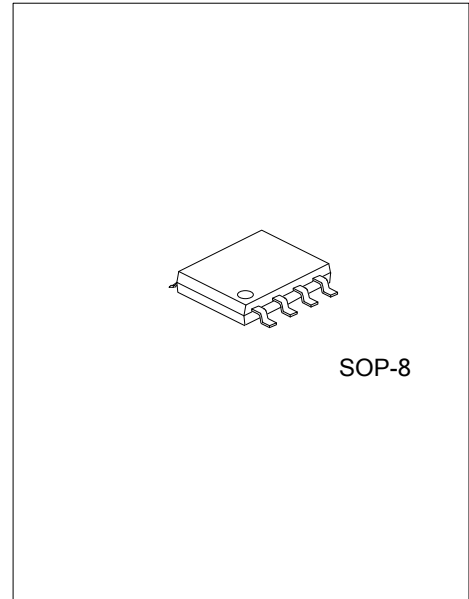
15A, 60V DUAL N-CHANNEL ENHANCEMENT MODE POWER MOSFET

DESCRIPTION

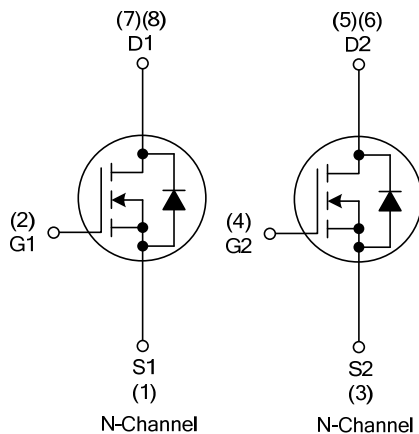
The UTC **UTT15NN06** is a N-channel Power MOSFET, it uses UTC's advanced technology to provide the customers with low $R_{DS(ON)}$ characteristic by high cell density trench technology.

FEATURES

- * $R_{DS(ON)} \leq 35m\Omega$ @ $V_{GS}=10V, I_D=7.5A$
- * $R_{DS(ON)} \leq 40m\Omega$ @ $V_{GS}=4.5V, I_D=7.5A$
- * Fast Switching Speed
- * Simple Drive Requirement



SYMBOL



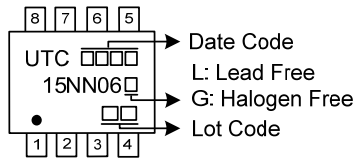
ORDERING INFORMATION

Ordering Number		Package	Pin Assignment								Packing
Lead Free	Halogen Free		1	2	3	4	5	6	7	15	
UTT15NN06L-S015-R	UTT15NN06G-S015-R	SOP-15	S1	G1	S2	G2	D2	D2	D1	D1	Tape Reel

Note: Pin Assignment: G: Gate D: Drain S: Source

UTT15NN06G-S08-R	(1)Packing Type	(1) R: Tape Reel
	(2)Package Type	(2) S08: SOP-8
	(3)Green Package	(3) G: Halogen Free and Lead Free, L: Lead Free

■ MARKING



FLYING 汎翔國際有限公司
www.flying1688.com

■ ABSOLUTE MAXIMUM RATINGS ($T_A=25^{\circ}\text{C}$, unless otherwise specified)

PARAMETER		SYMBOL	RATINGS	UNIT
Drain-Source Voltage		V_{DSS}	60	V
Gate-Source Voltage		V_{GSS}	± 20	V
Drain Current	Continuous	I_D	15	A
	Pulsed (Note 2)	I_{DM}	30	A
Avalanche Energy	Single Pulsed (Note 3)	E_{AS}	91.1	mJ
Peak Diode Recovery dv/dt (Note 4)		dv/dt	1.4	V/nS
Power Dissipation		P_D	2	W
Junction Temperature		T_J	+150	$^{\circ}\text{C}$
Storage Temperature		T_{STG}	-55 ~ +150	$^{\circ}\text{C}$

- Notes: 1. Absolute maximum ratings are those values beyond which the device could be permanently damaged. Absolute maximum ratings are stress ratings only and functional device operation is not implied.
 2. Repetitive Rating: Pulse width limited by maximum junction temperature.
 3. $L = 1.0\text{mH}$, $I_{AS} = 13.5\text{A}$, $V_{DD} = 25\text{V}$, $R_G = 25\Omega$, Starting $T_J = 25^{\circ}\text{C}$.
 4. $I_{SD} \leq 15.0\text{A}$, $di/dt \leq 200\text{A}/\mu\text{s}$, $V_{DD} \leq V_{(BR)DSS}$, $T_J = 25^{\circ}\text{C}$.

■ THERMAL DATA

PARAMETER	SYMBOL	RATINGS	UNIT
Junction to Ambient	θ_{JA}	58	$^{\circ}\text{C}/\text{W}$

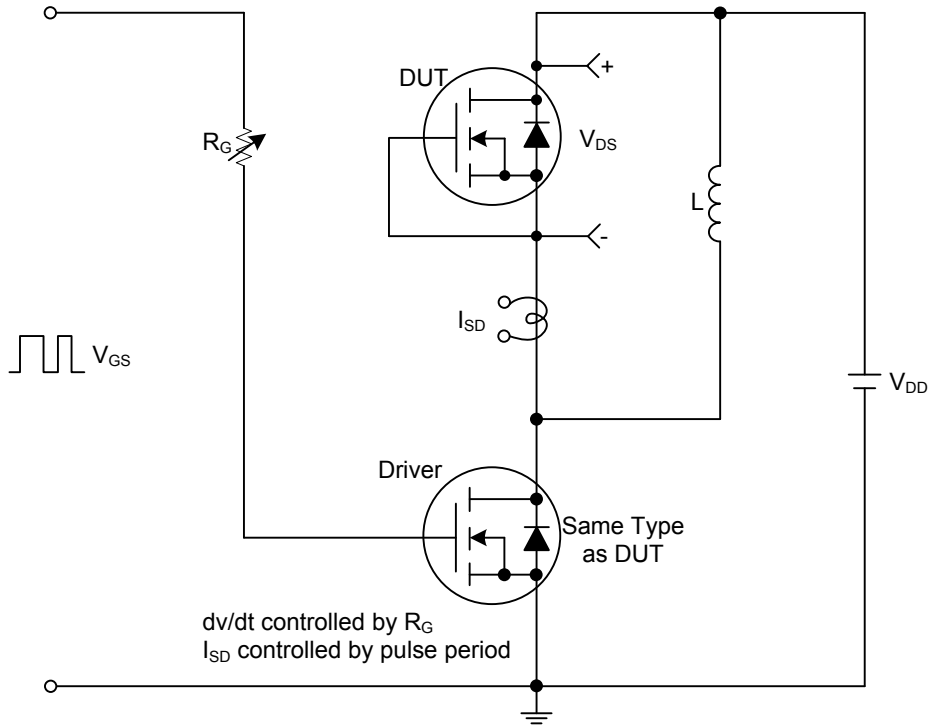
Note: Device mounted on FR-4 substrate P_C board, 2oz copper, with 1inch square copper plate.

■ ELECTRICAL CHARACTERISTICS ($T_J=25^{\circ}\text{C}$, unless otherwise specified)

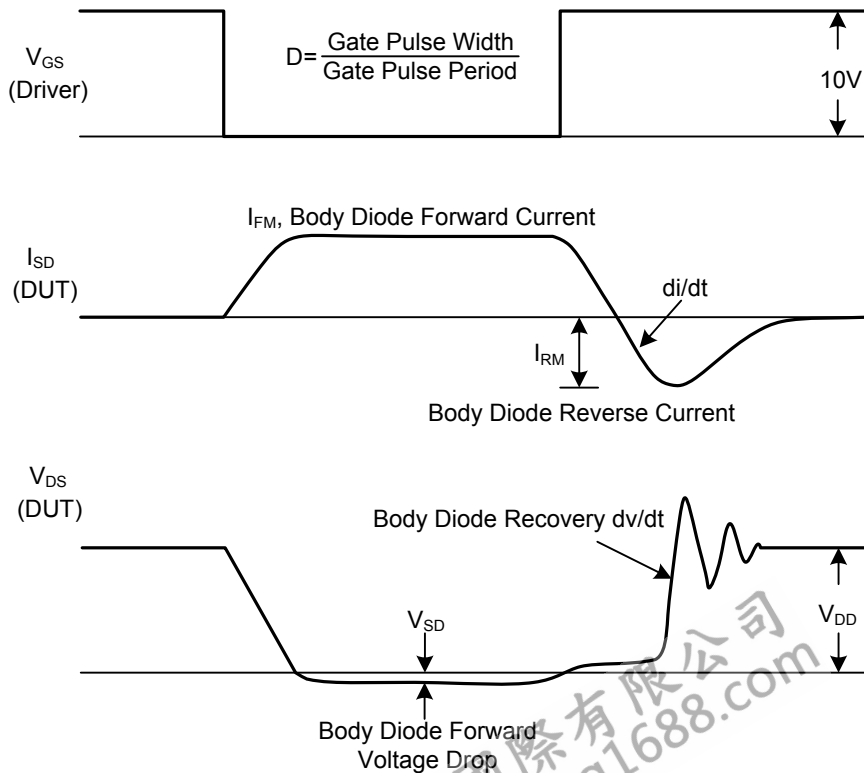
PARAMETER		SYMBOL	TEST CONDITIONS	MIN	TYP	MAX	UNIT
OFF CHARACTERISTICS							
Drain-Source Breakdown Voltage		BV_{DSS}	$V_{GS}=0\text{V}$, $I_D=250\mu\text{A}$	60			V
Drain-Source Leakage Current		I_{DSS}	$V_{DS}=60\text{V}$, $V_{GS}=0\text{V}$			1	μA
Gate-Source Leakage Current	Forward	I_{GSS}	$V_{DS}=0\text{V}$, $V_{GS}=20\text{V}$			60	nA
	Reverse		$V_{DS}=0\text{V}$, $V_{GS}=-20\text{V}$			-60	nA
ON CHARACTERISTICS							
Gate Threshold Voltage		$V_{GS(TH)}$	$V_{DS}=V_{GS}$, $I_D=250\mu\text{A}$	1.0		3.0	V
Drain-Source On-State Resistance		$R_{DS(ON)}$	$V_{GS}=10\text{V}$, $I_D=7.5\text{A}$			35	m Ω
			$V_{GS}=4.5\text{V}$, $I_D=7.5\text{A}$			40	m Ω
DYNAMIC PARAMETERS							
Input Capacitance		C_{ISS}	$V_{DS}=25\text{V}$, $V_{GS}=0\text{V}$, $f=1.0\text{MHz}$		1635		pF
Output Capacitance		C_{OSS}			118		pF
Reverse Transfer Capacitance		C_{RSS}			85.6		pF
SWITCHING PARAMETERS							
Total Gate Charge (Note 1)		Q_G	$V_{DS}=30\text{V}$, $V_{GS}=10\text{V}$, $I_D=15\text{A}$, $I_G=1\text{mA}$ (Note 1, 2)		38		nC
Gate-Source Charge		Q_{GS}			3		nC
Gate-Drain Charge		Q_{GD}			4.5		nC
Turn-ON Delay Time (Note 1)		$t_{D(ON)}$	$V_{DD}=30\text{V}$, $V_{GS}=10\text{V}$, $I_D=15\text{A}$, $R_G=25\Omega$ (Note 1, 2)		6		ns
Turn-ON Rise Time		t_R			20		ns
Turn-OFF Delay Time		$t_{D(OFF)}$			167		ns
Turn-OFF Fall Time		t_F			77		ns
SOURCE- DRAIN DIODE RATINGS AND CHARACTERISTICS							
Maximum Body-Diode Continuous Current		I_S				15	A
Maximum Body-Diode Pulsed Current		I_{SM}				30	A
Drain-Source Diode Forward Voltage (Note 1)		V_{SD}	$I_S=15\text{A}$, $V_{GS}=0\text{V}$			1.4	V
Body Diode Reverse Recovery Time (Note 1)		t_{rr}	$I_S=15\text{A}$, $V_{GS}=0\text{V}$,		35		ns
Body Diode Reverse Recovery Charge		Q_{rr}	$di_F/dt=100\text{A}/\mu\text{s}$		19		nC

- Notes: 1. Pulse Test: Pulse width $\leq 600\mu\text{s}$, Duty cycle $\leq 2\%$.
 2. Essentially independent of operating temperature.

■ TEST CIRCUITS AND WAVEFORMS



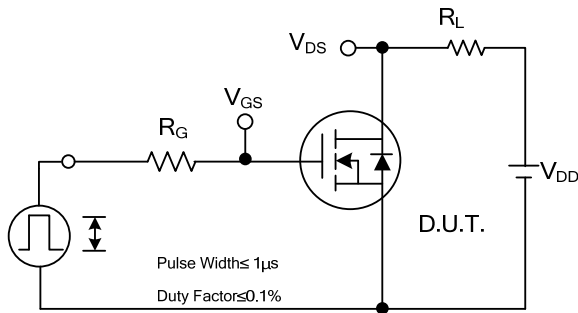
Peak Diode Recovery dv/dt Test Circuit



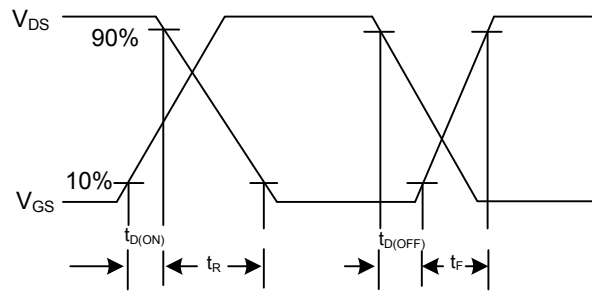
Peak Diode Recovery dv/dt Test Circuit and Waveforms

Peak Diode Recovery dv/dt Waveforms

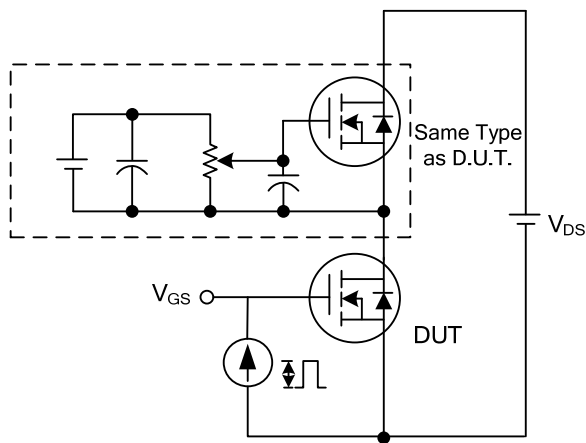
TEST CIRCUITS AND WAVEFORMS (Cont.)



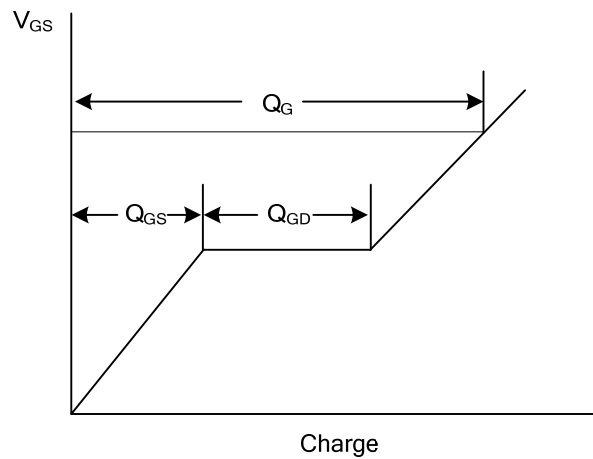
Switching Test Circuit



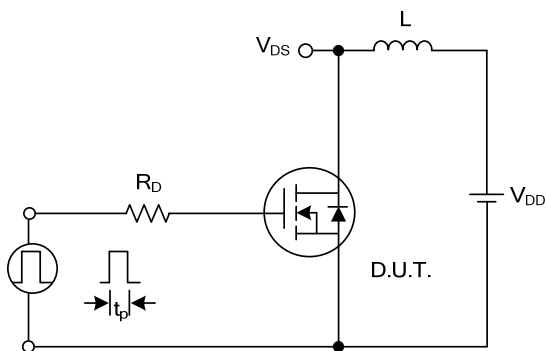
Switching Waveforms



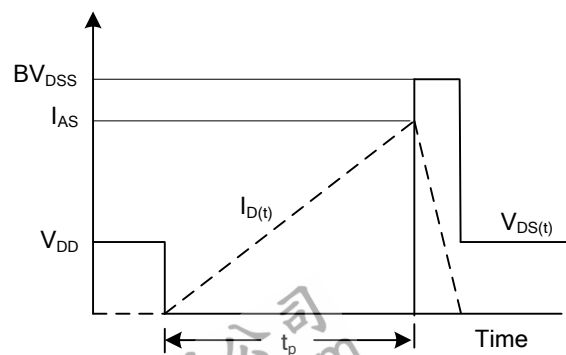
Gate Charge Test Circuit



Gate Charge Waveform

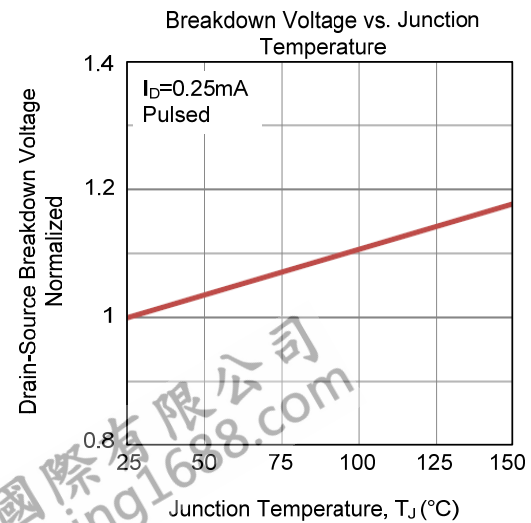
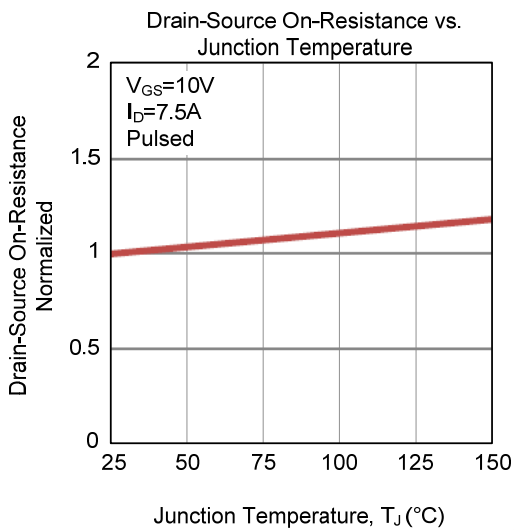
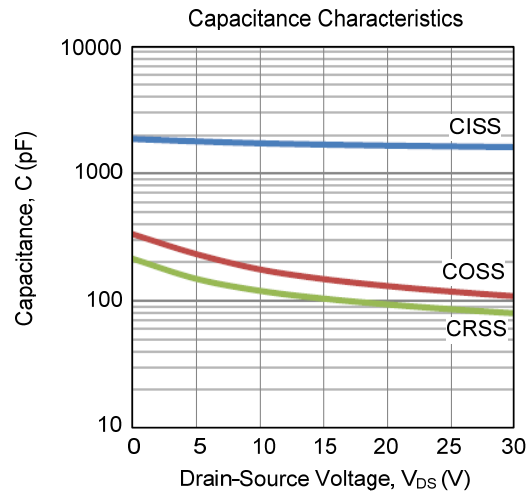
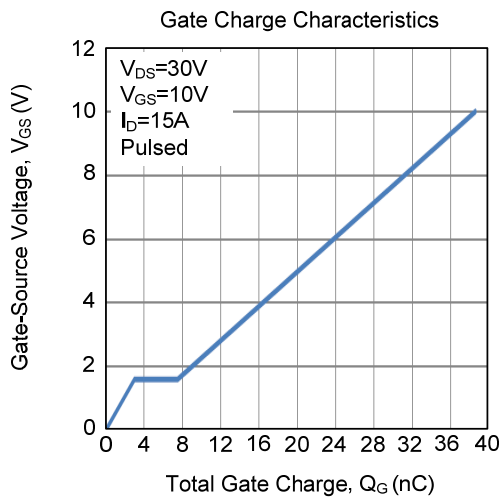
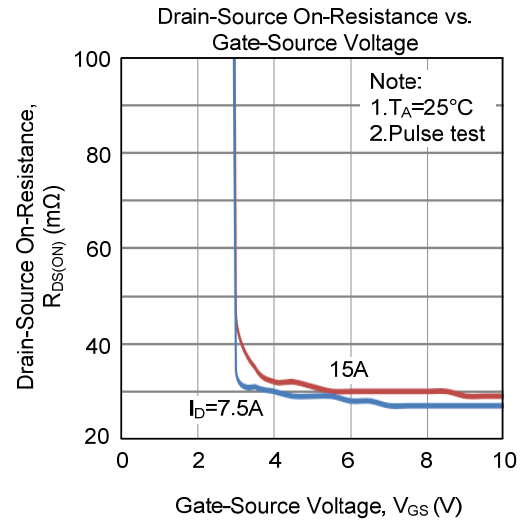
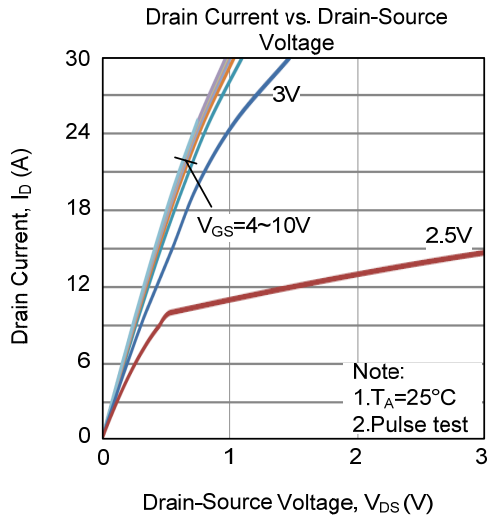


Unclamped Inductive Switching Test Circuit

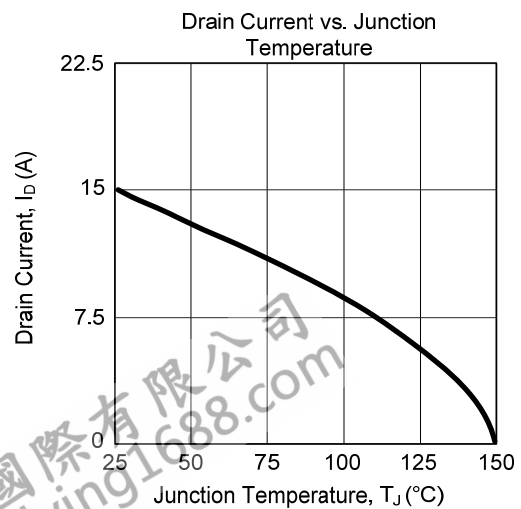
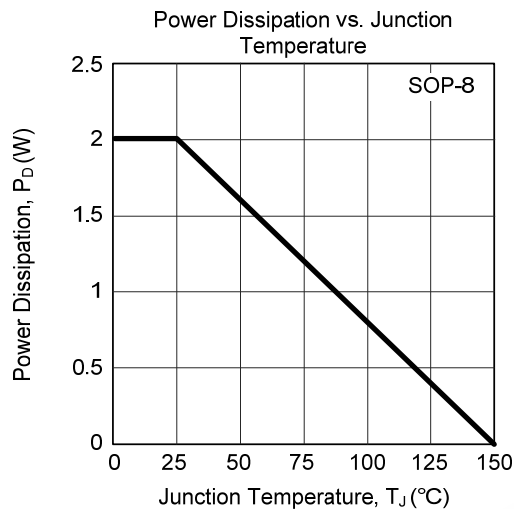
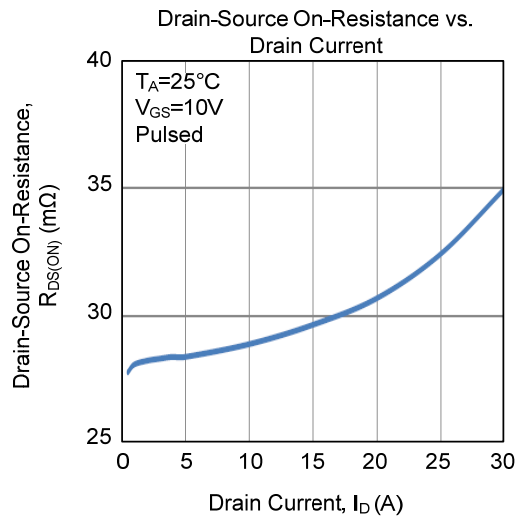
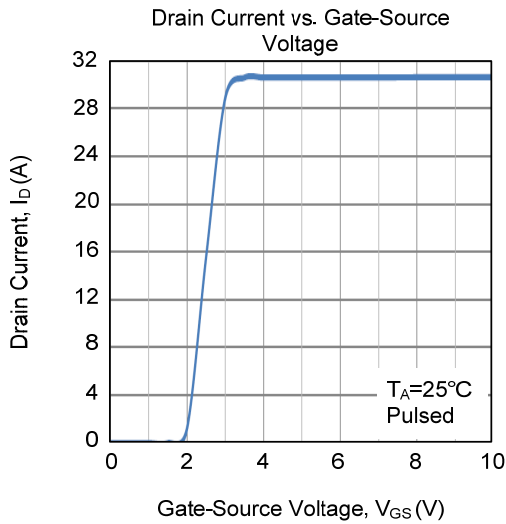
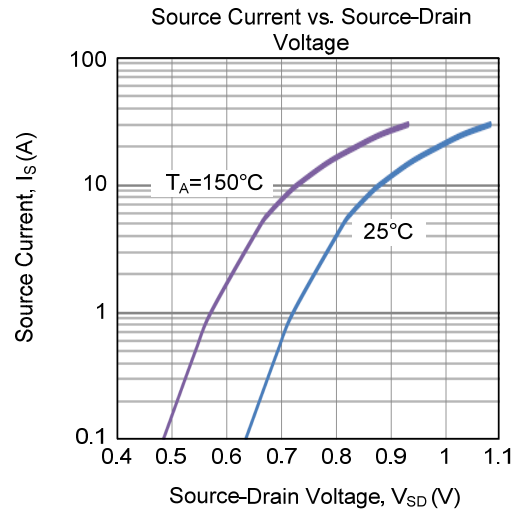
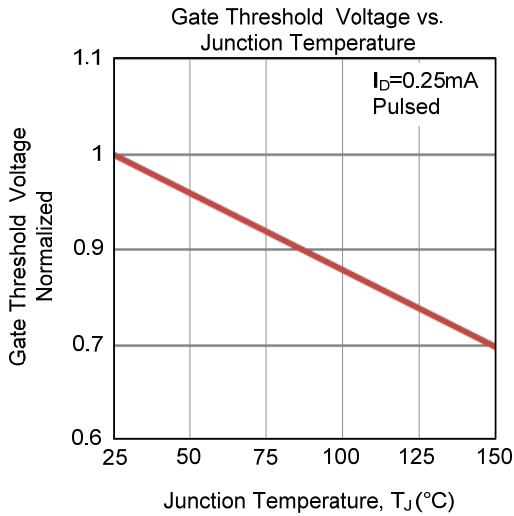


Unclamped Inductive Switching Waveforms

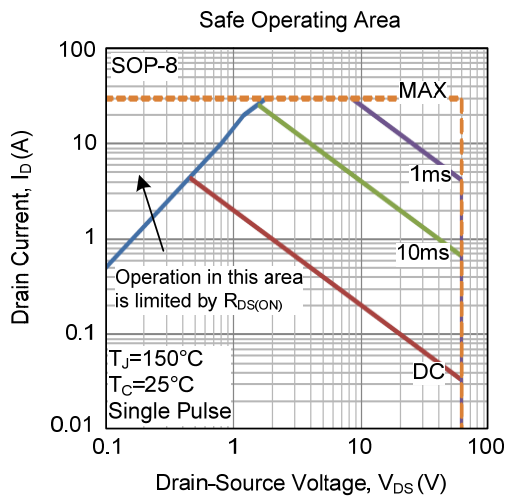
TYPICAL CHARACTERISTICS



TYPICAL CHARACTERISTICS (Cont.)



■ TYPICAL CHARACTERISTICS (Cont.)



UTC assumes no responsibility for equipment failures that result from using products at values that exceed, even momentarily, rated values (such as maximum ratings, operating condition ranges, or other parameters) listed in products specifications of any and all UTC products described or contained herein. UTC products are not designed for use in life support appliances, devices or systems where malfunction of these products can be reasonably expected to result in personal injury. Reproduction in whole or in part is prohibited without the prior written consent of the copyright owner. UTC reserves the right to make changes to information published in this document, including without limitation specifications and product descriptions, at any time and without notice. This document supersedes and replaces all information supplied prior to the publication hereof.